

2019 PRODUCT CATALOG



The industry's highest quality & most complete line of drivetrain parts.





Home of the Best Brands in Drivetrain.



Performance.

Yukon Gear & Axle® manufactures the highest quality drivetrain parts in the industry. Off-road, on the street, and at the track, Yukon provides the widest selection of drivetrain parts for all of your heavy-duty & performance application needs.



OE Replacement.

USA Standard Gear® sets the standard for quality drivetrain parts at affordable pricing. Designed for the general installer and the do-it-yourself consumer, USA Standard provides unmatched reliability in OE Replacement & Component Drivetrain Products.



Remanufactured.

Zumbrota Drivetrain® has completely rewritten the book on remanufactured drivetrain assemblies. Experience, pride, and expert craftsmanship go into every unit resulting in an industry-leading product line for hundreds of applications.



Parts Finder.

The industry's most powerful Differential Parts Finder. From '48 to today's hottest models, the Diff Wizard® is a must-have parts identification resource for thousands of differential product applications. In just a few clicks, the Diff Wizard allows you to find the right parts for your build the first time.

Table of Contents

Yukon Tech Talk

Yukon Understands Quality	2
Elements of A Gear Tooth	4
Axle Shafts	6
Axle Splines	8
How to Measure an Axle Shaft	9

Product Spotlight

Yukon Ring & Pinions	10
Yukon Axles	12
Yukon Front Axles & Kits	14
Yukon Dropouts	16
Yukon Spools	18
Yukon Spools & Traction	20
Yukon Performance	22
Yukon Yokes	24
Yukon Hardcore	26

Yukon Drivetrain Products

Chrysler / Jeep / AMC	28–37
Spicer	37–60
Ford	61–69
GM	69–85
Toyota	86–92
Imports	93–94
Gear & Kit Packages	95
Zip Locker Replacement Parts	95
Yukon Kits	96
Yukon Axles	98
Chrysler Axles	98–99
Ford Axles	100–103
GM Axles	104–106
Jeep Axles	106–108
Axle Kits	108–110
U/Joins	111
Driveshafts	111
Tools	112
Notes	113

USA Standard Differentials

Chrysler / Jeep / AMC	125–127
Spicer	127–132
Ford	132–134
GM	134–139

USA Standard Differentials (Cont.)

Toyota	139–141
Imports	141
USA Standard Axles	143
Blank Axles	143
Jeep Axles	143–144
Ford Axles	144–145
Chrysler Axles	146
GM Axles	146–147
OE Replacement Driveshafts	149–165
Gear Kit Packages	166
Notes	167

Transfer Case Components

BMW	169
Borg Warner	169–179
Chrysler	179
Spicer	179–180
Ford	180
Geo	180
GM	181
Hyundai	181
Magna 3010	181
Mercedes	181
Mitsubishi	181
Model 20, Model 21	181
Magna Powertrain	182–186
MSG5F	187
Nissan	187
New Venture(New Process)	187–202
Quadra-Trac	202
Range Rover	202
Suzuki	203
(T10/T150/T18/T150/ T56)	203
Toyota	203

Transmission Components

41TE/ 48RE	206
A151 / A230 / A250 / A435 / A525 / A535	206
A578 / A833	207
Acura	208
AR5	208
AX15 / AX18 / AX4 / AX50	208–209
C4/ C56 / C60	209–210
CH465	210
Chrysler / Dana	211
F5M33 / F5M42	211
Ford	212



Transmission Components

G238	212
G360 / G56	213
Geo	214
Getrag	214
GM	215
Honda	215
Hyundai / Isuzu	216
Jeep	216
Kia	216
KM130	216
KM145 / KM146 / KM150 / KM200 / KM201	217
L52	217
Land Rover	217
M20	217
M5R / M5R1/ M5R2	218-219
Mazda / Mercedes / Mini Cooper	219
Mitsubishi	220
Model 18 / Model 20 / Model 259	220
MT82	220-221
Muncie	221
MY6	222
Nissan	222-223
New Venture(New Process)	223-229
Peugeot	229
R150 / R151 / R351	229-230
RAD	230
Rockwell	230
Saginaw	230
Saturn	230
SM420 / SM465	231
SR4	231
Subaru	231
Suzuki	231
T10 / T14 / T15	232
T150 / T160 / T170	233-234
T176 T177 / T18 / T19 / T3650	234-235
T4 / T45 / T5 / T56	236-238
T5 / T56	236-238
T85	238
T850 / T86 / T87 / T89 / T90 / T96	239
T98 / T98	240
Toyota	240-241
TR3550 / TR3650 / TR6060	241
Volkswagen	242
W46 / W50 / W5MG1	242
Y80	242
ZF	242-245

Zumbrota Axle Assemblies

Chrysler	249-257
Ford	257-267
GM	268-277
Jeep	277-279
Mercedes	280
Nissan/ Dana M226	280
Rockwell 20145	280
Spicer S110	280
Spicer S135 & S150	280
Toyota	280

Zumbrota Manual Transmissions

Chrysler/Dodge	282-284
Ford	284-286
Geo	286
GM	287-289
Honda	289
Hyundai	289
Jeep	289-290
Mitsubishi	290
Nissan	290
Suzuki	290
Toyota	290
Volkswagen	290

Zumbrota Transfer Cases

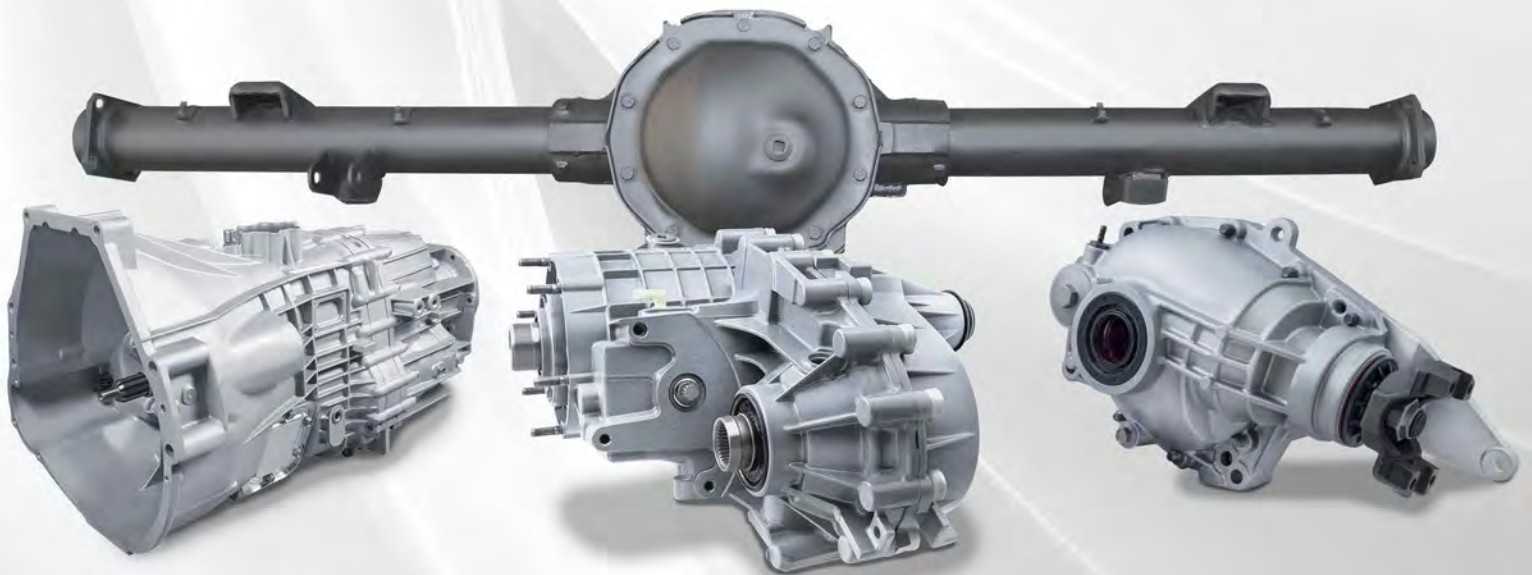
BMW	292
Chrysler/Dodge	292-295
Ford	295-298
GM	298-303
Jeep	303-305
Land Rover	305
Mercedes	305
Mercedes	305
Nissan	305
Suzuki	305
Volkswagen	305

Reman Assemblies from the Experts in Drivetrain.



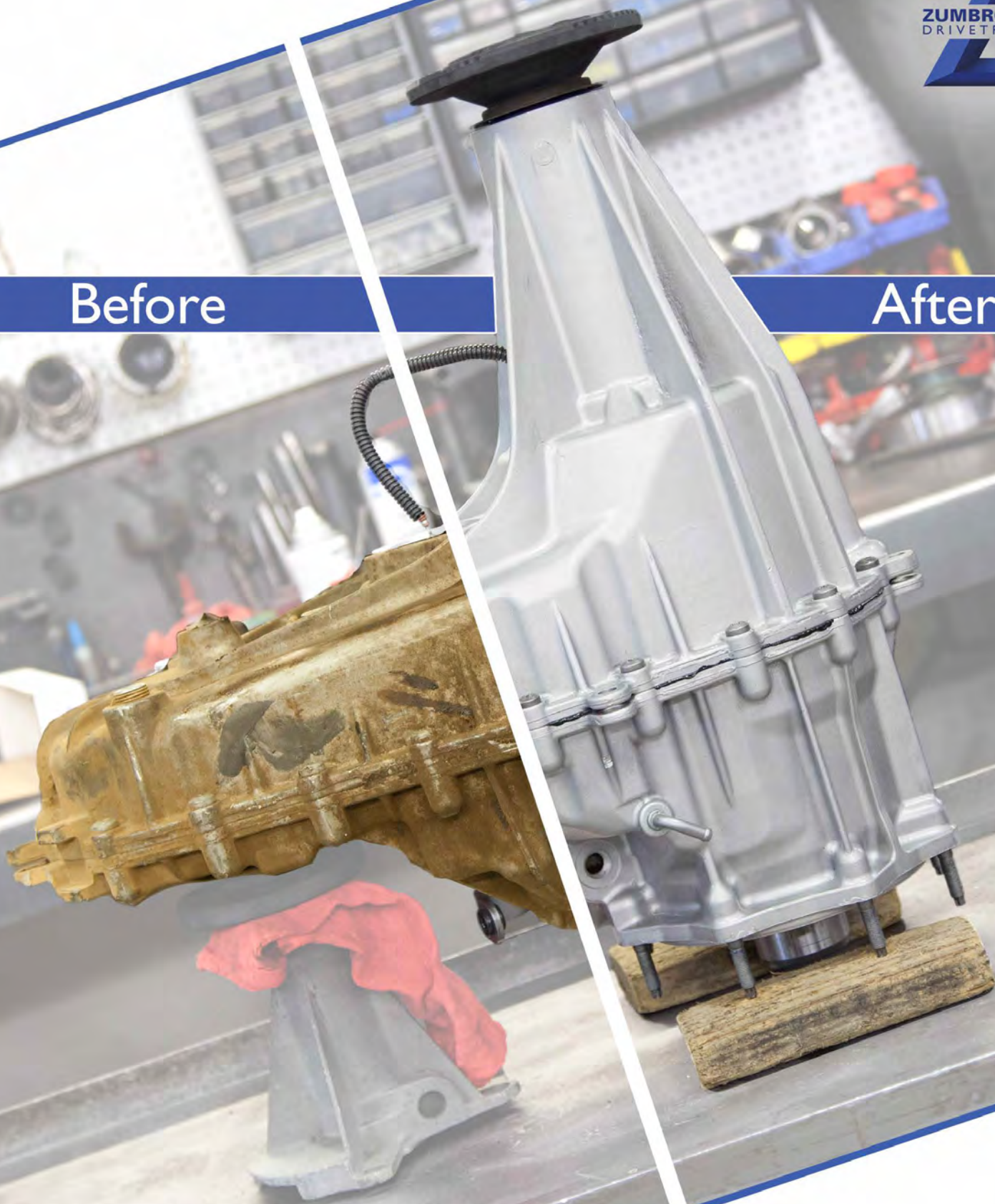
Remanufacturing. Redefined.

- Hundreds of units for popular applications
- Assembled & inspected by the industry's best
- Proprietary, shot-enticed cleaning protocol ensures like-new finish
- 100% new bearings & seals



Before

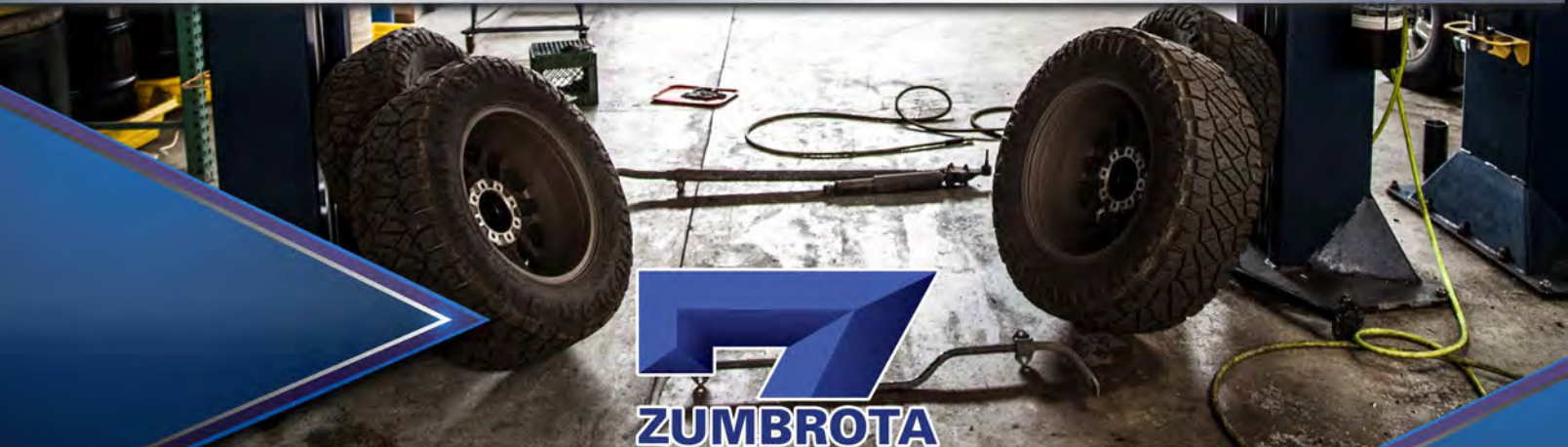
After



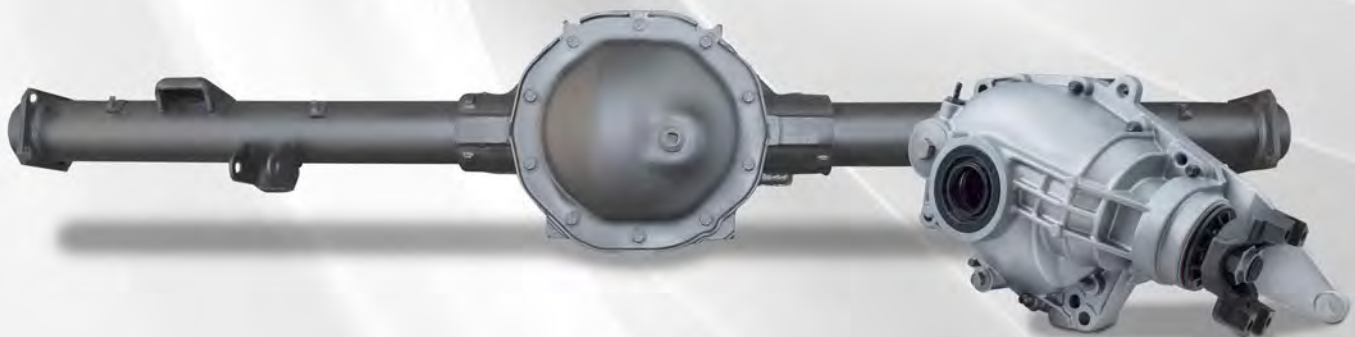
Remanufacturing.
Redefined.



Remanufactured Axle Assemblies



- Cases & internals thoroughly inspected for straightness, cracks, & worn surfaces
- Full inspection of internals including: ring & pinion, internal gears, clutches, & carriers
- All bearings & seals replaced
- Gear pattern checked for optimal tooth contact
- Correct rolling torque established using inch pound measurements for precise setup & longevity
- Correct backlash is set to assure proper gear lubrication and quiet operation



Chrysler D44

PART #	Description	PART #	Description
RAA434-1544A [70687]	88-'93 W100, W150 & Ramcharger, 3.23	RAA434-1889B [79355]	1998 Ram 1500, 4 wheel ABS, 3.54
RAA434-1544B [75026]	88-'93 W100, W150 & Ramcharger, 3.54	RAA434-1889C [74051]	1998 Ram 1500, rear wheel ABS, 3.90
RAA434-1544C [79445]	88-'93 W100, W150 & Ramcharger, 3.90	RAA434-1889D [75382]	1998 Ram 1500, 4 wheel ABS, 3.90
RAA434-1546A [79018]	1988 W250, 3.54	RAA434-1908B [72456]	1999 Ram 1500, rear wheel ABS, 3.90
RAA434-1546B [70453]	1988 W250, 4.11	RAA434-1908C [78776]	1999 Ram 1500, 4 wheel ABS, 3.54
RAA434-1547A [79045]	89-'93 W250, w/ vacuum disconnect, 3.54	RAA434-1932A [79271]	2000 Ram 1500, rear wheel ABS, 3.54
RAA434-1547B [75224]	89-'93 W250, w/ vacuum disconnect, 4.11	RAA434-1932B [79694]	2000 Ram 1500, rear wheel ABS, 3.90
RAA434-1547C [70994]	89-'93 W250, w/ vacuum disconnect, 3.92	RAA434-1932C [73460]	2000 Ram 1500, 4 wheel ABS, 3.90
RAA434-1756A [74930]	94-'95 Ram 1500, rear wheel ABS, 3.54	RAA434-1932D [75150]	2000 Ram 1500, 4 wheel ABS, 3.90
RAA434-1756B [74775]	94-'95 Ram 1500, rear wheel ABS, 3.90	RAA434-1932E [72556]	2001 Ram 1500, rear wheel ABS, 3.54
RAA434-1756D [78089]	94-'95 Ram 1500, rear wheel ABS, 3.54	RAA434-1932F [73009]	2001 Ram 1500, rear wheel ABS, 3.90
RAA434-1756E [70675]	94-'95 Ram 1500, rear wheel ABS, 3.90	RAA434-1932G [71663]	2001 Ram 1500, 4 wheel ABS, 3.54
RAA434-1847A [74280]	96-'97 Ram 1500, rear wheel ABS, 3.54	RAA434-1932H [74561]	2001 Ram 1500, 4 wheel ABS, 3.90
RAA434-1847B [77737]	96-'97 Ram 1500, rear wheel ABS, 3.90	RAA434-1932J [72400]	2000 Ram 1500, rear wheel ABS, 4.11
RAA434-1847D [75636]	96-'97 Ram 1500, 4 wheel ABS, 3.54	RAA434-1932K [75943]	2000 Ram 1500, 4 wheel ABS, 4.11
RAA434-1847E [75311]	96-'97 Ram 1500, 4 wheel ABS, 3.90	RAA434-1932M [77564]	2001 Ram 1500, rear wheel ABS, 4.11
RAA434-1889A [73112]	1998 Ram 1500, rear wheel ABS, 3.54	RAA434-1932N [77995]	2001 Ram 1500, 4 wheel ABS, 4.11

Chrysler D44 Front

PART #	Description	PART #	Description
RAA434-1908A	1999 Ram 1500, rear wheel ABS, 3.54	RAA434-1908D [72812]	1999 Ram 1500, 4 wheel ABS, 3.90

Chrysler D60

PART #	Description	PART #	Description
RAA434-1548A [79676]	89-'93 W250, 3.07	RAA435-1578B-P [74638]	90-'97 van 3500, 5500#, 4.11, posi
RAA434-1549A [73360]	89-'93 W250, 3.54	RAA435-1579A [70501]	90-'97 van 3500, 6200#, 3.55
RAA434-1549B [79596]	89-'93 W250, 4.11	RAA435-1579A-P [79652]	90-'97 van 3500, 6200#, 3.55, posi
RAA434-1771D [74993]	94-'97 Ram 2500 & 3500, 4 wheel ABS, 4.11	RAA435-1579B [77654]	90-'97 van 3500, 6200#, 4.11
RAA434-1771E [76603]	1998 Ram 2500 & 3500, rear wheel ABS, 3.54	RAA435-1579B-P [71003]	90-'97 van 3500, 6200#, 4.11, posi
RAA434-1771F [72755]	1998 Ram 2500 & 3500, rear wheel ABS, 4.11	RAA435-1579A [72432]	1994 Ram 2500, 2WD, 3.55
RAA434-1771G [73222]	1998 Ram 2500 & 3500, 4 wheel ABS, 3.54	RAA435-1759A-P [71517]	1994 Ram 2500, 2WD, 3.55, posi
RAA434-1771H [70618]	1998 Ram 2500 & 3500, 4 wheel ABS, 4.11	RAA435-1759B [70044]	1994 Ram 2500, 2WD, 4.11
RAA434-1771J [77101]	1999 Ram 2500, rear wheel ABS, 3.54	RAA435-1759B-P [75766]	1994 Ram 2500, 2WD, 4.11, posi
RAA434-1771K [77529]	1999 Ram 2500, rear wheel ABS, 4.11	RAA435-1760A [79439]	94-'99 Ram 2500, 2WD, staggered shocks, 3.55
RAA434-1771M [74189]	1999 Ram 2500 & 3500, 4 wheel ABS, 3.54	RAA435-1760A-P [72019]	94-'99 Ram 2500, 2WD, staggered shocks, 3.55, posi
RAA434-1771N [70373]	1999 Ram 2500 & 3500, 4 wheel ABS, 3.54	RAA435-1760B [78768]	94-'99 Ram 2500, 2WD, staggered shocks, 4.11
RAA434-1933A [77441]	00-'01 Ram 2500, rear wheel ABS, 3.54	RAA435-1760B-P [72194]	94-'99 Ram 2500, 2WD, staggered shocks, 4.11, posi
RAA434-1933B [73914]	00-'01 Ram 2500, rear wheel ABS, 4.11	RAA435-1761A [75549]	1994 Ram 2500, 2WD, 3.55
RAA434-1933C [76539]	00-'02 Ram 2500 & 3500, 4 wheel ABS, w/ vacuum disconnect, 3.54	RAA435-1761A-P [73902]	1994 Ram 2500, 2WD, 3.55, posi
RAA434-1933D [70576]	00-'02 Ram 2500 & 3500, 4 wheel ABS, w/ vacuum disconnect, 4.11	RAA435-1761B [78105]	1994 Ram 2500, 2WD, 4.11
RAA435-1060A [74765]	72-'88 250 & 350 Van, 3.42	RAA435-1761B-P [73979]	1994 Ram 2500, 2WD, 4.11, posi
RAA435-1060A-P [78713]	72-'88 250 & 350 Van, 3.42, posi	RAA435-1762A [74163]	94-'99 Ram 2500, 2WD, staggered shocks, 3.55
RAA435-1060B [76512]	72-'88 250 & 350 Van, 4.11	RAA435-1762A-P [77576]	94-'99 Ram 2500, 2WD, staggered shocks, 3.55, posi
RAA435-1060B-P [74274]	72-'88 250 & 350 Van, 4.11, posi	RAA435-1762B [70034]	94-'99 Ram 2500, 2WD, staggered shocks, 4.11
RAA435-1060C [73276]	72-'88 250 & 350 Van, 4.56	RAA435-1762B-P [70358]	94-'99 Ram 2500, 2WD, staggered shocks, 4.11, posi
RAA435-1060C-P [73434]	72-'88 250 & 350 Van, 4.56, posi	RAA435-1764A-P [70434]	94-'99 Ram 2500, 2WD, staggered shocks, 3.55, posi
RAA435-1230A [70609]	80-'88 D250, W250 & W350, 3.54	RAA435-1773A [70880]	1994 Ram 2500, 4WD, 3.55
RAA435-1230A-P [72231]	80-'88 D250, W250 & W350, 3.54, posi	RAA435-1773A-P [76007]	1994 Ram 2500, 4WD, 3.55, posi
RAA435-1230B [71330]	80-'88 D250, W250 & W350, 4.11	RAA435-1773B [78022]	1994 Ram 2500, 4WD, 4.11, posi
RAA435-1230B-P [74883]	80-'88 D250, W250 & W350, 4.11, posi	RAA435-1773B-P [71866]	1994 Ram 2500, 4WD, 4.11, posi
RAA435-1230C [75129]	80-'88 D250, W250 & W350, 4.88	RAA435-1774A [73799]	94-'99 Ram 2500, 2WD, staggered shocks, 3.55
RAA435-1230C-P [73207]	80-'88 D250, W250 & W350, 4.88, posi	RAA435-1774A-P [77916]	94-'99 Ram 2500, 2WD, staggered shocks, 3.55, posi
RAA435-1230D [79541]	80-'88 D250, W250 & W350, 4.56	RAA435-1774B [78524]	94-'99 Ram 2500, 2WD, staggered shocks, 4.11
RAA435-1230D-P [72062]	80-'88 D250, W250 & W350, 4.56, posi	RAA435-1774B-P [73118]	94-'99 Ram 2500, 2WD, staggered shocks, 4.11, posi
RAA435-1426 [71555]	82-'88 D250 & D350, 2WD, 4.11	RAA435-1775A [76544]	1994 Ram 2500, 4WD, 3.54
RAA435-1426-P [71159]	82-'88 D250 & D350, 2WD, 4.11, posi	RAA435-1775A-P [72114]	1994 Ram 2500, 4WD, 3.54, posi
RAA435-1550A [72711]	89-'93 3/4 ton, 3.55	RAA435-1775B [72991]	1994 Ram 2500, 4WD, 4.11
RAA435-1550A-P [77385]	89-'93 3/4 ton, 3.55, posi	RAA435-1775B-P [79125]	1994 Ram 2500, 4WD, 4.11, posi
RAA435-1550B [78927]	89-'93 3/4 ton, 4.11		
RAA435-1550B-P [70732]	89-'93 3/4 ton, 4.11, posi		
RAA435-1578A [78504]	90-'97 van 3500, 5500#, 3.55		
RAA435-1578A-P [79167]	90-'97 van 3500, 5500#, 3.55, posi		
RAA435-1578B [77999]	90-'97 van 3500, 5500#, 4.11		

Continued on next page

Chrysler D60 (Cont.)

PART #	Description	PART #	Description
RAA435-1776A [71613]	94-'99 Ram 2500, 2WD, staggered shocks, 3.54	RAA435-2005B-P [70326]	00-'01 Ram 2500, 2WD, 4.11, posi
RAA435-1776A-P [74343]	94-'99 Ram 2500, 2WD, staggered shocks, 3.54, posi	RAA435-2136A [72644]	01-'02 Ram 2500, 2WD, 3.55
RAA435-1776B [75685]	94-'99 Ram 2500, 2WD, staggered shocks, 4.11	RAA435-2136A-P [71726]	01-'02 Ram 2500, 2WD, 3.55, posi
RAA435-1776B-P [72653]	94-'99 Ram 2500, 2WD, staggered shocks, 4.11, posi	RAA435-2136B [71322]	01-'02 Ram 2500, 2WD, 4.11
RAA435-1903A [75869]	89-'93, D250 & W250, ABS, 4.11	RAA435-2136B-P [79316]	01-'02 Ram 2500, 2WD, 4.11, posi
RAA435-1903A-P [70322]	89-'93, D250 & W250, ABS, 4.11, posi	RAA435-2140A [71528]	01-'02 Ram 2500, 4WD, 3.55
RAA435-1903B [75260]	89-'93 D350, 2WD, ABS, 4.11	RAA435-2140A-P [78009]	01-'02 Ram 2500, 4WD, 3.55, posi
RAA435-1903B-P [79200]	89-'93 D350, 2WD, ABS, 4.11, posi	RAA435-2140B [78972]	01-'02 Ram 2500, 4WD, 4.11
RAA435-1925 [74093]	98-'03 Van 3500, 8 lug, 4.09	RAA435-2140B-P [70094]	01-'02 Ram 2500, 4WD, 4.11, posi
RAA435-1925-P [79330]	98-'03 Van 3500, 8 lug, 4.09, posi	RAA435-2141B [71129]	01-'02 Ram 2500m 4WD, disc brake, 4.11
RAA435-1948 [72513]	98-'03 Van 2500 & 350, 8 lug, 4.09	RAA435-2143-P [70571]	01-'02 Ram 2500m 4WD, disc brake, 4.11, posi
RAA435-1948-P [70002]	98-'03 Van 2500 & 350, 8 lug, 4.09	RAA435-2214A [75356]	2004 D1500, 2WD, quad cab, SRT-10, 4.11
RAA435-2005A [70318]	00-'01 Ram 2500, 2WD, 3.55	RAA435-2214A-P [73672]	2004 D1500, 2WD, quad cab, SRT-10, 4.11, posi
RAA435-2005A-P [76638]	00-'01 Ram 2500, 2WD, 3.55, posi	RAA435-2214B [70676]	2004 D1500, 2WD, quad cab, SRT-10, 4.56
RAA435-2005B [76268]	00-'01 Ram 2500, 2WD, 4.11	RAA435-2214B-P [79531]	2004 D1500, 2WD, quad cab, SRT-10, 4.56, posi
		RAA435-2226-P [73362]	2005 D1500 SRT-10, quad cab, 4.56, posi

Chrysler D60 Front

PART #	Description	PART #	Description
RAA434-1771A [73652]	94-'97 Ram 2500 & 3500, rear wheel ABS, 3.54	RAA434-1959A [74140]	2002 Ram 2500 7 3500, non-vacuum disconnect, 3.54
RAA434-1771B [79549]	94-'97 Ram 2500 & 3500, rear wheel ABS, 4.11	RAA434-1959B [77896]	2002 Ram 2500 7 3500, non-vacuum disconnect, 4.11
RAA434-1771C [78719]	94-'97 Ram 2500 & 3500, rear wheel ABS, 3.54		

Chrysler D70

PART #	Description	PART #	Description
RAA435-1238A [79496]	72-'88 250 & 350, 4.11	RAA435-1764B [73045]	94-'99 Ram 2500, 2WD, staggered shocks, 4.11
RAA435-1238A-P [76996]	72-'88 250 & 350, 4.11, posi	RAA435-1764B-P [73442]	94-'99 Ram 2500, 2WD, staggered shocks, 4.11, posi
RAA435-1238B [72582]	72-'88 250 & 350, 4.56	RAA435-1777A [77409]	1994 Ram 2500, 4WD, 3.54
RAA435-1238B-P [71678]	72-'88 250 & 350, 4.56, posi	RAA435-1777A-P [76424]	1994 Ram 2500, 4WD, 3.54, posi
RAA435-1553A [78633]	1989 D350, diesel, 2WD, DRW, 3.07	RAA435-1777B [73891]	1994 Ram 2500, 4WD, 4.11
RAA435-1553A-P [70015]	1989 D350, diesel, 2WD, DRW, 3.07, posi	RAA435-1777B-P [70742]	1994 Ram 2500, 4WD, 4.11, posi
RAA435-1553B [77888]	89-'93 D350, DRW, 3.55	RAA435-1778A [77746]	94-'99 Ram 2500, 4WD, staggered shocks, 3.55
RAA435-1553B-P [76144]	89-'93 D350, DRW, 3.55, posi	RAA435-1778A-P [76267]	94-'99 Ram 2500, 4WD, staggered shocks, 3.55, posi
RAA435-1553C [71624]	1989 D350 & W350, gas, DRW, 4.11	RAA435-1778B [79115]	1998 Ram 2500, 4WD, 4.11
RAA435-1553C-P [70500]	1989 D350 & W350, gas, DRW, 4.11, posi	RAA435-1778B-P [73833]	1998 Ram 2500, 4WD, 4.11, posi
RAA435-1553D [72127]	1989 D350 & W350, gas, DRW, 4.56	RAA435-1904B [79708]	89-'93 3500, 3.55
RAA435-1553D-P [77331]	1989 D350 & W350, gas, DRW, 4.56, posi	RAA435-1904B-P [77835]	89-'93 3500, 3.55, posi
RAA435-1554B [79071]	89-'93 D350 & W350, diesel, DRW, chassis cab, 3.55	RAA435-1904C [70203]	89-'93 3500, 4.10
RAA435-1554B-P [78054]	89-'93 D350 & W350, diesel, DRW, chassis cab, 3.55, posi	RAA435-1904C-P [74978]	89-'93 3500, 4.10, posi
RAA435-1554C [75008]	90-'93 D350 & W350, DRW, chassis cab, 4.11	RAA435-2006A [78652]	00-'01 Ram 2500, 2WD, 3.55
RAA435-1554C-P [77037]	90-'93 D350 & W350, DRW, chassis cab, 4.11, posi	RAA435-2006A-P [70776]	00-'01 Ram 2500, 2WD, 3.55, posi
RAA435-1617 [73957]	90-'93 D350 & W350, DRW, 7500#, 3.07	RAA435-2006B [71418]	00-'01 Ram 2500, 2WD, 4.11
RAA435-1617-P [79315]	90-'93 D350 & W350, DRW, 7500#, 3.07, posi	RAA435-2006B-P [78179]	00-'01 Ram 2500, 2WD, 3.55
RAA435-1618 [71362]	90-'93 D350 & W350, DRW, chassis cab, 7500#, 3.07	RAA435-2009A [76315]	00-'01 Ram 2500, 4WD, 3.55
RAA435-1618-P [78345]	90-'93 D350 & W350, DRW, chassis cab, 7500#, 3.07, posi	RAA435-2009A-P [73223]	00-'01 Ram 2500, 4WD, 3.55, posi
RAA435-1619 [75474]	90-'93 D350 & W350, DRW, 7500#, 4.56	RAA435-2009B [74029]	00-'01 Ram 2500, 4WD, 4.11
RAA435-1619-P [79306]	90-'93 D350 & W350, DRW, 7500#, 4.56, posi	RAA435-2009B-P [73784]	00-'01 Ram 2500, 4WD, 4.11, posi
RAA435-1620 [75464]	90-'93 D350 & W350, DRW, 7500#, chassis cab, 4.56	RAA435-2010A [79177]	00-'01 Ram 2500, 4WD, 3.55
RAA435-1620-P [76452]	90-'93 D350 & W350, DRW, 7500#, chassis cab, 4.56, posi	RAA435-2010A-P [72121]	00-'01 Ram 2500, 4WD, 3.55, posi
RAA435-1763A [76823]	1994 Ram 2500, 2WD, 3.55	RAA435-2010B [76088]	00-'01 Ram 2500, 4WD, 4.11
RAA435-1763A-P [79158]	1994 Ram 2500, 2WD, 3.55, posi	RAA435-2010B-P [74404]	00-'01 Ram 2500, 4WD, 4.11, posi
RAA435-1763B [75027]	1994 Ram 2500, 2WD, 4.11	RAA435-2141A [79164]	01-'02 pickup, 4WD, disc brake, 3.54
RAA435-1763B-P [76259]	1994 Ram 2500, 2WD, 4.11, posi	RAA435-2141A-P [78427]	01-'02 pickup, 4WD, disc brake, 3.54, posi
RAA435-1764A [75967]	94-'99 Ram 2500, 2WD, staggered shocks, 3.55	RAA435-2141B-OEM [71053]	01-'02 Ram 2500 4WD, disc brake, 4.11
		RAA435-2141B-P [76371]	01-'02 Ram 2500 4WD, disc brake, 4.11, pos
		RAA435-2137A [73255]	01-'02 Ram 2500, 3.55
		RAA435-2137A-P [70186]	01-'02 Ram 2500, 3.55, posi
		RAA435-2137B [78851]	01-'02 Ram 2500, 4.11
		RAA435-2137B-P [72919]	01-'02 Ram 2500, 4.11, posi

Chrysler D80

PART #	Description	PART #	Description
RAA435-1765A [70892]	1994 Ram 2500, 2WD, 3.54	RAA435-1856B [75864]	96-'99 Ram 2500, 4WD, 4.11
RAA435-1765A-P [79032]	1994 Ram 2500, 2WD, 3.54, posi	RAA435-1856B-P [70502]	96-'99 Ram 2500, 4WD, 4.11, posi
RAA435-1765B [73180]	1994 Ram 2500, 2WD, 4.11	RAA435-1857A [74036]	96-'99 Ram 3500, 2WD, 3.54
RAA435-1765B-P [72474]	1994 Ram 2500, 2WD, 4.11, posi	RAA435-1857A-P [79079]	96-'99 Ram 3500, 2WD, 3.54, posi
RAA435-1766A [75567]	94-'99 Ram 2500, staggered shocks, 3.55	RAA435-1857B [77535]	96-'99 Ram 3500, 2WD, 4.11
RAA435-1766A-P [73260]	94-'99 Ram 2500, staggered shocks, 3.55, posi	RAA435-1857B-P [74426]	96-'99 Ram 3500, 2WD, 4.11, posi
RAA435-1766B [73627]	94-'99 Ram 2500, staggered shocks, 4.11	RAA435-1858A [75535]	96-'99 Ram 3500, 2WD, cab chassis, 3.54
RAA435-1766B-P [70078]	94-'99 Ram 2500, staggered shocks, 4.11, posi	RAA435-1858A-P [72392]	96-'99 Ram 3500, 2WD, cab chassis, 3.54, posi
RAA435-1779A [77454]	1994 Ram 2500, 4WD, 3.54	RAA435-1858B [72032]	96-'99 Ram 3500, 2WD, cab chassis, 4.11
RAA435-1779A-P [72271]	1994 Ram 2500, 4WD, 3.54, posi	RAA435-1858B-P [74584]	96-'99 Ram 3500, 2WD, cab chassis, 4.11, posi
RAA435-1779B [76667]	1994 Ram 2500, 4WD, 4.11	RAA435-1859A [78007]	96-'99 Ram 3500, 4WD, 3.55
RAA435-1779B-P [72561]	1994 Ram 2500, 4WD, 4.11, posi	RAA435-1859A-P [72070]	96-'99 Ram 3500, 4WD, 3.55, posi
RAA435-1780 [75376]	94-'95 Ram 2500, 4WD, staggered shocks, 3.54	RAA435-1859B [77298]	96-'99 Ram 3500, 4WD, 4.11
RAA435-1780-P [72801]	94-'95 Ram 2500, 4WD, staggered shocks, 3.54, posi	RAA435-1859B-P [74940]	96-'99 Ram 3500, 4WD, 4.11, posi
RAA435-1781 [74043]	94-'95 Ram 2500, 4WD, staggered shocks, 4.11	RAA435-2142 [75914]	01-'02 Ram 2500m 4WD, disc brake, 3.55
RAA435-1781-P [72371]	94-'95 Ram 2500, 4WD, staggered shocks, 4.11, posi	RAA435-2142-P [70683]	01-'02 Ram 2500m 4WD, disc brake, 3.55, posi
RAA435-1785 [73746]	94-'95 Ram 3500, 2WD, staggered shocks, 3.54	RAA435-2143 [77595]	01-'02 Ram 2500m 4WD, disc brake, 4.11
RAA435-1785-P [71324]	94-'95 Ram 3500, 2WD, staggered shocks, 3.54, posi	RAA435-2192 [78642]	00-'01 Ram 2500, 2WD, 3.55
RAA435-1787 [75424]	94-'95 Ram 3500, cab chassis, staggered shocks, 3.54	RAA435-2192-P [77165]	00-'01 Ram 2500, 2WD, 3.55, posi
RAA435-1787-P [71229]	94-'95 Ram 3500, cab chassis, staggered shocks, 3.54, posi	RAA435-2193 [76376]	00-'01 Ram 2500, 2WD, 4.11
RAA435-1788 [71761]	94-'95 Ram 3500, cab chassis, staggered shocks, 4.11	RAA435-2193-P [73684]	00-'01 Ram 2500, 2WD, 4.11, posi
RAA435-1788-P [78928]	94-'95 Ram 3500, cab chassis, staggered shocks, 4.11, posi	RAA435-2194 [71862]	00-'01 Ram 2500, 4WD, 3.55
RAA435-1789 [75556]	1994 Ram 3500, 4WD, 4.10	RAA435-2194-P [74097]	00-'01 Ram 2500, 4WD, 3.55, posi
RAA435-1789-P [70624]	1994 Ram 3500, 4WD, 4.10, posi	RAA435-2195 [79592]	00-'01 Ram 2500, 4WD, 4.11
RAA435-1790 [78189]	94-'95 Ram 3500, 4WD, staggered shocks, 3.54	RAA435-2195-P [77762]	00-'01 Ram 2500, 4WD, 4.11, posi
RAA435-1790-P [74184]	94-'95 Ram 3500, 4WD, staggered shocks, 3.54, posi	RAA435-2196 [79113]	00-'01 Ram 3500, 2WD, 3.55
RAA435-1823 [72301]	94-'95 Ram 3500, 2WD, staggered shocks, 4.11	RAA435-2196-P [76006]	00-'01 Ram 3500, 2WD, 3.55, posi
RAA435-1823-P [78300]	94-'95 Ram 3500, 2WD, staggered shocks, 4.11, posi	RAA435-2197 [73211]	00-'01 Ram 3500, 2WD, 4.11
RAA435-1824 [74874]	94-'95 Ram 3500, 4WD, staggered shocks, 4.11	RAA435-2197-P [76642]	00-'01 Ram 3500, 2WD, 4.11, posi
RAA435-1824-P [70671]	94-'95 Ram 3500, 4WD, staggered shocks, 4.11, posi	RAA435-2198 [74885]	00-'01 Ram 3500, 4WD, 3.55
RAA435-1856A [75265]	96-'99 Ram 2500, 4WD, 3.54	RAA435-2198-P [75053]	00-'01 Ram 3500, 4WD, 3.55, posi
RAA435-1856A-P [70900]	96-'99 Ram 2500, 4WD, 3.54, posi	RAA435-2199 [74173]	00-'01 Ram 3500, 4WD, 4.11
		RAA435-2199-P [70494]	00-'01 Ram 3500, 4WD, 4.11, posi
		RAA435-2200 [76732]	00-'01 Ram 3500, 2WD, 3.55
		RAA435-2200-P [79474]	00-'01 Ram 3500, 2WD, 3.55, posi
		RAA435-2201 [73848]	00-'01 Ram 3500, DRW, 4.10
		RAA435-2201-P [76207]	00-'01 Ram 3500, DRW, 4.10, posi
		RAA435-2138 [71665]	01-'02 Ram 2500, 3.55, posi
		RAA435-2138-P [75992]	01-'02 Ram 2500, 3.55, posi
		RAA435-2139 [75770]	01-'02 Ram 2500, 4.11
		RAA435-2139-P [71910]	01-'02 Ram 2500, 4.11, posi

Chrysler 7.25IFS

PART #	Description	PART #	Description
RAA434-1822A [75014]	93-'96 Dakota, rear wheel ABS, 3.23	RAA440-1306A [76643]	87-'92 Dakota, 2.94
RAA434-1822B [73682]	93-'96 Dakota, rear wheel ABS, 3.55	RAA440-1306B [73734]	87-'92 Dakota, 3.23
RAA434-1822C [79582]	93-'96 Dakota, rear wheel ABS, 3.90	RAA440-1306C [74437]	87-'92 Dakota, 3.55
RAA434-1822D [75790]	93-'96 Dakota, 4 wheel ABS, 3.23	RAA440-1306D [70388]	87-'92 Dakota, 3.90
RAA434-1822E [71920]	93-'96 Dakota, 4 wheel ABS, 3.55	RAA440-1307A [79350]	93-'96 Dakota, 3.23
RAA434-1822F [72922]	93-'96 Dakota, 4 wheel ABS, 3.90	RAA440-1307B [73077]	93-'96 Dakota, 3.55
RAA434-1948A [79679]	91-'92 Dakota, 6 lug, 3.23	RAA440-1307C [71111]	93-'96 Dakota, 3.90
RAA434-1948B [74010]	91-'92 Dakota, 6 lug, 3.55	RAA440-1317A [75164]	97-'99 Dakota, 3.23
RAA434-1948C [75652]	91-'92 Dakota, 6 lug, 3.90		

Chrysler 7.25"

PART #	Description	PART #	Description
RAA435-1488A [76176]	87-'88 Dakota, 2WD, 2.76	RAA435-1488E-P [74016]	89-'90 Dakota, 2WD, 3.23, posi
RAA435-1488A-P [71805]	87-'88 Dakota, 2WD, 2.76, posi	RAA435-1488F [75656]	91-'96 Dakota, 2WD, 3.21
RAA435-1488B [70233]	89-'90 Dakota, 2WD, 2.76	RAA435-1488F-P [75706]	91-'96 Dakota, 2WD, 3.21, posi
RAA435-1488B-P [75295]	89-'90 Dakota, 2WD, 2.76, posi	RAA435-1488G [74017]	87-'88 Dakota, 2WD, 3.55
RAA435-1488C [78253]	91-'96 Dakota, 2WD, 2.76	RAA435-1488G-P [71991]	87-'88 Dakota, 2WD, 3.55, posi
RAA435-1488C-P [71201]	91-'96 Dakota, 2WD, 2.76, posi	RAA435-1488H [75305]	89-'90 Dakota, 2WD, 3.55
RAA435-1488D [74749]	87-'88 Dakota, 2WD, 3.23	RAA435-1488H-P [73495]	89-'90 Dakota, 2WD, 3.55, posi
RAA435-1488D-P [73568]	87-'88 Dakota, 2WD, 3.23, posi	RAA435-1488J [71404]	91-'96 Dakota, 2WD, 3.55
RAA435-1488E [77899]	89-'90 Dakota, 2WD, 3.23	RAA435-1488J-P [70073]	91-'96 Dakota, 2WD, 3.55, posi

AXLE ASSEMBLIES



Chrysler 8.25IFS

PART #	Description	PART #	Description
RAA440-1368A [75522]	02-'05 Ram 1500, 3.55	RAA440-1368B [72006]	02-'05 Ram 1500, 3.92

Chrysler 8.0IFS

PART #	Description	PART #	Description
RAA440-1358A [73450]	Durango & Dakota, 3.55	RAA440-1470B [72942]	13-'15 Ram 1500, 3.55
RAA440-1358B [77294]	Durango & Dakota, 3.92	RAA440-1470C [72430]	13-'15 Ram 1500, 3.92
RAA440-1393A [78738]	04-'09 Durango, 3.55	RAA440-147A [70301]	06-'09 Ram 1500, 3.55
RAA440-1393B [70240]	04-'09 Durango, 3.92	RAA440-147B [74693]	06-'09 Ram 1500, 3.92
RAA440-1393C [73409]	2009 Durango, 3.21	RAA440-147C [76104]	2010 Ram 1500, 3.21
RAA440-1455A [76772]	2012 Ram 1500, 3.55	RAA440-1993A [71149]	04-'05 Durango, 3.55
RAA440-1455B [72398]	2012 Ram 1500, 3.92	RAA440-1993B [72483]	04-'05 Durango, 3.55
RAA440-1470A [78852]	13-'15 Ram 1500, 3.21		

Chrysler 8.25"

PART #	Description	PART #	Description
RAA435-1577A [73108]	90-'97 van 1500 & 2500, 3.21	RAA435-2144C-P [75937]	03-'04 Dakota, 2WD, 3.92, posi
RAA435-1577A-P [72109]	90-'97 van 1500 & 2500, 3.21, posi	RAA435-2144D [72185]	03-'04 Dakota, 2WD, 3.21
RAA435-1577B [79040]	90-'97 van 1500 & 2500, 3.55	RAA435-2144D-P [74678]	03-'04 Dakota, 2WD, 3.21, posi
RAA435-1577B-P [71856]	90-'97 van 1500 & 2500, 3.55, posi	RAA435-2144E [73925]	03-'04 Dakota, 2WD, 3.55
RAA435-1577C [70998]	90-'97 van 1500 & 2500, 3.92	RAA435-2144E-P [74955]	03-'04 Dakota, 2WD, 3.55, posi
RAA435-1577C-P [70927]	90-'97 van 1500 & 2500, 3.92, posi	RAA435-2144F [77415]	03-'04 Dakota, 2WD, 3.92
RAA435-1890A [74075]	97-'99 Dakota, 3.21	RAA435-2144F-P [77476]	03-'04 Dakota, 2WD, 3.92, posi
RAA435-1890A-P [73496]	97-'99 Dakota, 3.21, posi	RAA435-2146A [77444]	03-'04 Dakota, 4WD, 3.55
RAA435-1890B [73944]	97-'99 Dakota, 2WD, 3.55	RAA435-2146A-P [75093]	03-'04 Dakota, 4WD, 3.55, posi
RAA435-1890B-P [70914]	97-'99 Dakota, 2WD, 3.55, posi	RAA435-2146B [77874]	03-'04 Dakota, 4WD, 3.92
RAA435-1890C [77449]	97-'99 Dakota, 2WD, 3.92	RAA435-2146B-P [77416]	03-'04 Dakota, 4WD, 3.92, posi
RAA435-1890C-P [76177]	97-'99 Dakota, 2WD, 3.92, posi	RAA435-2147B [74512]	03-'04 Dakota, 4WD, 3.92
RAA435-1891A [71042]	97-'99 Dakota, 4WD, 3.21	RAA435-2147B-P [71546]	03-'04 Dakota, 4WD, 3.92, posi
RAA435-1891A-P [72776]	97-'99 Dakota, 4WD, 3.21, posi	RAA435-2154A [71654]	2003 Durango, 4WD, 3.55
RAA435-1891B [73628]	97-'99 Dakota, 4WD, 3.55	RAA435-2154A-P [71260]	2003 Durango, 4WD, 3.55, posi
RAA435-1891B-P [72210]	97-'99 Dakota, 4WD, 3.55, posi	RAA435-2154B [72959]	2003 Durango, 4WD, 3.92
RAA435-1891C [78640]	97-'99 Dakota, 4WD, 3.92	RAA435-2154B-P [79552]	2003 Durango, 4WD, 3.92, posi
RAA435-1921A [74212]	98-'99 Van 1500 & 2500, 5 lug, 3.90	RAA435-2155 [73853]	2003 Van 1500, 5 lug, 3.55
RAA435-1921A-P [74803]	98-'99 Van 1500 & 2500, 5 lug, 3.90, posi	RAA435-2155-P [72774]	2003 Van 1500, 5 lug, 3.55, posi
RAA435-1921B [73368]	98-'99 Van 1500 & 2500, 5 lug, 3.55	RAA435-2204A [75347]	04-'05 Durango, 4WD, traction control, 3.55
RAA435-1921B-P [75880]	98-'99 Van 1500 & 2500, 5 lug, 3.55, posi	RAA435-2204A-P [75342]	04-'05 Durango, 4WD, traction control, 3.55, posi
RAA435-1926A [77785]	98-'02 Durango, 4WD, 3.55	RAA435-2204B [77410]	04-'05 Durango, 4WD, traction control, 3.92
RAA435-1926A-P [72344]	98-'02 Durango, 4WD, 3.55, posi	RAA435-2204B-P [75653]	04-'05 Durango, 4WD, traction control, 3.92, posi
RAA435-1926B [78051]	98-'02 Durango, 4WD, 3.92	RAA435-2204C [70277]	04-'06 Durango, 3.55
RAA435-1926B-P [73086]	98-'02 Durango, 4WD, 3.92, posi	RAA435-2204C-P [74440]	04-'06 Durango, 3.55, posi
RAA435-1927A [77768]	98-'99 Durango, 4WD, 3.55	RAA435-2204D [74643]	04-'06 Durango, 3.92
RAA435-1927A-P [77615]	98-'99 Durango, 4WD, 3.55, posi	RAA435-2204D-P [71704]	04-'06 Durango, 3.92, posi
RAA435-1996A [74305]	00-'02 Dakota, 2WD, w/o sway bar, 3.21	RAA435-2206A [75928]	04-'05 Durango, 4WD, non-traction control, 3.55
RAA435-1996A-P [70487]	00-'02 Dakota, 2WD, w/o sway bar, 3.21, posi	RAA435-2206A-P [75758]	04-'05 Durango, 4WD, non-traction control, 3.55, posi
RAA435-1996B [76931]	00-'02 Dakota, 2WD, w/o sway bar, 3.55	RAA435-2206B [78181]	04-'05 Durango, 4WD, non-traction control, 3.92
RAA435-1996B-P [74973]	00-'02 Dakota, 2WD, w/o sway bar, 3.55, posi	RAA435-2206B-P [71672]	04-'05 Durango, 4WD, non-traction control, 3.92, posi
RAA435-1996C [76473]	00-'02 Dakota, 2WD, w/o sway bar, 3.92	RAA435-2207A [79253]	04-'05 Durango, 4WD, non-traction control, 3.55
RAA435-1996C-P [77021]	00-'02 Dakota, 2WD, w/o sway bar, 3.92, posi	RAA435-2207A-P [74412]	04-'05 Durango, 4WD, non-traction control, 3.55, posi
RAA435-1996D [77779]	00-'02 Dakota, 2WD, w/ sway bar, 3.21	RAA435-2207B [75742]	04-'05 Durango, 4WD, non-traction control, 3.92
RAA435-1996D-P [74458]	00-'02 Dakota, 2WD, w/ sway bar, 3.21, posi	RAA435-2207B-P [77433]	04-'05 Durango, 4WD, non-traction control, 3.92, posi
RAA435-1996E [78572]	00-'02 Dakota, 2WD, w/ sway bar, 3.55	RAA435-2223A [79132]	05-'10 Dakota, 3.21
RAA435-1996E-P [76092]	00-'02 Dakota, 2WD, w/ sway bar, 3.55, posi	RAA435-2223A-P [79441]	05-'10 Dakota, 3.21, posi
RAA435-1996F [70204]	00-'02 Dakota, 2WD, w/ sway bar, 3.92	RAA435-2223B [77440]	05-'10 Dakota, 3.55
RAA435-1996F-P [79300]	00-'02 Dakota, 2WD, w/ sway bar, 3.92, posi	RAA435-2223B-P [77391]	05-'10 Dakota, 3.55, posi
RAA435-1997A [73054]	00-'02 Dakota, 4WD, 3.55	RAA435-2223C [73940]	05-'10 Dakota, 3.92
RAA435-1997A-P [70458]	00-'02 Dakota, 4WD, 3.55, posi	RAA435-2223C-P [79682]	05-'10 Dakota, 3.92, posi
RAA435-1997B [71093]	00-'02 Dakota, 4WD, 3.92	RAA435-139A [75155]	07-'09 Aspen & Durango, 3.55
RAA435-1997B-P [73067]	00-'02 Dakota, 4WD, 3.92, posi	RAA435-139A-P [71142]	07-'09 Aspen & Durango, 3.55, posi
RAA435-2144A [71999]	03-'04 Dakota, 2WD, 3.21	RAA435-139B [74115]	07-'09 Aspen & Durango, 3.92
RAA435-2144A-P [74833]	03-'04 Dakota, 2WD, 3.21, posi		
RAA435-2144B [79160]	03-'04 Dakota, 2WD, 3.55		
RAA435-2144B-P [75439]	03-'04 Dakota, 2WD, 3.55, posi		
RAA435-2144C [73569]	03-'04 Dakota, 2WD, 3.92		

Continued on next page



Chrysler 8.25" (Cont.)

PART #	Description	PART #	Description
RAA435-139B-P [77425]	07-'09 Aspen & Durango, 3.92, posi	RAA435-1614D-P [73349]	87-'88 Dakota, 2WD, 2.94, posi
RAA435-139C [71843]	07-'09 Aspen & Durango, 3.21	RAA435-1614E [73448]	87-'88 Dakota, 2WD, 3.55
RAA435-139C-P [74686]	07-'09 Aspen & Durango, 3.21, posi	RAA435-1614E-P [70483]	87-'88 Dakota, 2WD, 3.55, posi
RAA435-1437A [71859]	85-'89 D100, D150 & Ramcharger, 2WD, 2.71	RAA435-1614F [72358]	89-'90 Dakota, 2WD, 3.55
RAA435-1437A-P [70615]	85-'89 D100, D150 & Ramcharger, 2WD, 2.71, posi	RAA435-1614F-P [75657]	89-'90 Dakota, 2WD, 3.55, posi
RAA435-1437B [73204]	85-'89 D100, D150 & Ramcharger, 2WD, 2.94	RAA435-1614G [70115]	91-'96 Dakota, 2WD, 3.55
RAA435-1437B-P [70061]	85-'89 D100, D150 & Ramcharger, 2WD, 2.94, posi	RAA435-1614G-P [76480]	91-'96 Dakota, 2WD, 3.55, posi
RAA435-1437C [74052]	85-'89 D100, D150 & Ramcharger, 2WD, 3.21	RAA435-1614H [78777]	87-'88 Dakota, 2WD, 3.90
RAA435-1437C-P [79295]	85-'89 D100, D150 & Ramcharger, 2WD, 3.21, posi	RAA435-1614H-P [73978]	87-'88 Dakota, 2WD, 3.90, posi
RAA435-1437D [75354]	85-'89 D100, D150 & Ramcharger, 2WD, 3.55	RAA435-1614J [72977]	89-'90 Dakota, 2WD, 3.90
RAA435-1437D-P [72809]	85-'89 D100, D150 & Ramcharger, 2WD, 3.55, posi	RAA435-1614J-P [76074]	89-'90 Dakota, 2WD, 3.90, posi
RAA435-1437E [74890]	85-'89 D100, D150 & Ramcharger, 2WD, 3.92	RAA435-1614K [77439]	91-'96 Dakota, 2WD, 3.90
RAA435-1437E-P [71552]	85-'89 D100, D150 & Ramcharger, 2WD, 3.92, posi	RAA435-1614K-P [71218]	91-'96 Dakota, 2WD, 3.90, posi
RAA435-1541A [77093]	1989 D100 & D150, 2WD, 2.71	RAA435-1615A [70415]	87-'88 Dakota, 4WD, 2.94
RAA435-1541A-P [73420]	1989 D100 & D150, 2WD, 2.71, posi	RAA435-1615A-P [79550]	87-'88 Dakota, 4WD, 2.94, posi
RAA435-1541B [77879]	1989 D100 & D150, 2WD, 2.94	RAA435-1615B [76992]	89-'90 Dakota, 4WD, 3.90
RAA435-1541B-P [70399]	1989 D100 & D150, 2WD, 2.94, posi	RAA435-1615B-P [72233]	89-'90 Dakota, 4WD, 3.90, posi
RAA435-1541C [73798]	89-'93 D100 & D150, 2WD, ABS, 3.21	RAA435-1615C [77983]	91-'96 Dakota, 4WD, 3.90
RAA435-1541C-P [77901]	89-'93 D100 & D150, 2WD, ABS, 3.21, posi	RAA435-1615C-P [76513]	91-'96 Dakota, 4WD, 3.90, posi
RAA435-1541D [76952]	89-'93 D100 & D150, 2WD, ABS, 3.55	RAA435-1615D [74844]	87-'88 Dakota, 4WD, 3.55
RAA435-1541D-P [78309]	89-'93 D100 & D150, 2WD, ABS, 3.55, posi	RAA435-1615D-P [77950]	87-'88 Dakota, 4WD, 3.55, posi
RAA435-1541E [72740]	89-'93 D100 & D150, 2WD, ABS, 3.92	RAA435-1615E [77201]	89-'90 Dakota, 4WD, 3.55
RAA435-1541E-P [73252]	89-'93 D100 & D150, 2WD, ABS, 3.92, posi	RAA435-1615E-P [75018]	89-'90 Dakota, 4WD, 3.55, posi
RAA435-1614A [71680]	87-'88 Dakota, 2WD, 2.71	RAA435-1615F [77628]	91-'96 Dakota, 4WD, 3.55
RAA435-1614A-P [75218]	87-'88 Dakota, 2WD, 2.71, posi	RAA435-1615F-P [75325]	91-'96 Dakota, 4WD, 3.55, posi
RAA435-1614B [75473]	87-'88 Dakota, 2WD, 3.21	RAA435-1615G [73828]	89-'90 Dakota, 4WD, 3.90
RAA435-1614B-P [76980]	87-'88 Dakota, 2WD, 3.21, posi	RAA435-1615G-P [78724]	89-'90 Dakota, 4WD, 3.90, posi
RAA435-1614C [75577]	91-'96 Dakota, 2WD, 3.21	RAA435-1615H [75447]	91-'96 Dakota, 4WD, 3.90
RAA435-1614C-P [70631]	91-'96 Dakota, 2WD, 3.21, posi	RAA435-1615H-P [77974]	91-'96 Dakota, 4WD, 3.90, posi
RAA435-1614D [73348]	87-'88 Dakota, 2WD, 2.94		

Chrysler Sprinter

PART #	Description
RAA435-283A [73698]	02-'06 3500, DRW, ABS, 3.73

Chrysler M35IFS

PART #	Description	PART #	Description
RAA440-1317B [70641]	97-'99 Dakota & Durango, 3.55	RAA440-1352A [73643]	00-'01 Dakota & Durango, 3.55
RAA440-1317C [74746]	97-'99 Dakota & Durango, 3.92	RAA440-1352B [77198]	00-'01 Dakota & Durango, 3.92

Chrysler 8.8"

PART #	Description
RAA440-1357 [74565]	01-'04 Caravan / Town & Country

Chrysler 9.25" ZF

PART #	Description	PART #	Description
RAA435-2268A [77379]	2012 Ram 1500, 2WD, 3.21	RAA435-2268G [77128]	2012 Ram 1500, 2WD, 3.92
RAA435-2268A-P [77358]	2012 Ram 1500, 2WD, 3.21, posi	RAA435-2268G-P [75958]	2012 Ram 1500, 2WD, 3.92, posi
RAA435-2268B [73850]	2012 Ram 1500, 2WD, 3.55	RAA435-2268H [73584]	2012 Ram 1500, 2WD, 4.11
RAA435-2268B-P [73022]	2012 Ram 1500, 2WD, 3.55, posi	RAA435-2268H-P [71875]	2012 Ram 1500, 2WD, 4.11, posi
RAA435-2268C [70385]	2012 Ram 1500, 2WD, 3.92	RAA435-2294A [70528]	13-'14 Ram 1500, 3.21
RAA435-2268C-P [70367]	2012 Ram 1500, 2WD, 3.92, posi	RAA435-2294A-P [70790]	13-'14 Ram 1500, 3.21, posi
RAA435-2268D [76646]	2012 Ram 1500, 2WD, 4.11	RAA435-2294B [76501]	13-'14 Ram 1500, 3.55
RAA435-2268D-P [77836]	2012 Ram 1500, 2WD, 4.11, posi	RAA435-2294B-P [72558]	13-'14 Ram 1500, 3.55, posi
RAA435-2268E [74326]	2012 Ram 1500, 2WD, 3.21	RAA435-2294C [73243]	13-'14 Ram 1500, 3.92
RAA435-2268E-P [77604]	2012 Ram 1500, 2WD, 3.21, posi	RAA435-2294C-P [72803]	13-'14 Ram 1500, 3.92, posi
RAA435-2268F [70823]	2012 Ram 1500, 2WD, 3.55	RAA435-2294D [79201]	13-'14 Ram 1500, 4.11
RAA435-2268F-P [72137]	2012 Ram 1500, 2WD, 3.55, posi	RAA435-2294D-P [74330]	13-'14 Ram 1500, 4.11, posi

Chrysler 9.25"

AXLE ASSEMBLIES

PART #	Description	PART #	Description
RAA435-1782A [74431]	1994 Ram 2500, 4WD, 3.54	RAA435-2113A [76054]	02-'05 Ram 1500, 4WD 3.55
RAA435-1782A-P [71147]	1994 Ram 2500, 4WD, 3.54, posi	RAA435-2113A-P [70566]	02-'05 Ram 1500, 4WD, 3.55, posi
RAA435-1782C [71766]	1994 Ram 2500, 4WD, 3.90	RAA435-2113B [72241]	02-'05 Ram 1500, 4WD 3.90
RAA435-1782C-P [70102]	1994 Ram 2500, 4WD, 3.90, posi	RAA435-2113B-P [77619]	02-'05 Ram 1500, 4WD, 3.90, posi
RAA435-1783A [73834]	94-'99 Ram 2500, 4WD, staggered shocks, 3.55	RAA435-2113C [74472]	06-'07 D1500, 4WD, 3.55
RAA435-1783A-P [75482]	94-'99 Ram 2500, 4WD, staggered shocks, 3.55, posi	RAA435-2113C-P [73186]	06-'07 D1500, 4WD, 3.55, posi
RAA435-1783C [72343]	94-'99 Ram 2500, 4WD, staggered shocks, 3.90	RAA435-2113D [75537]	06-'07 D1500, 4WD, 3.90
RAA435-1783C-P [73982]	94-'99 Ram 2500, 4WD, staggered shocks, 3.90, posi	RAA435-2113D-P [72660]	06-'07 D1500, 4WD, 3.90, posi
RAA435-1919A [73663]	98-'99 Dakota, 2WD, 3.55	RAA435-2145A [77231]	03-'05 Dakota, 2WD, 3.55
RAA435-1919A-P [70690]	98-'99 Dakota, 2WD, 3.55, posi	RAA435-2145A-P [75283]	03-'05 Dakota, 2WD, 3.55, posi
RAA435-1919B [72272]	98-'99 Dakota, 2WD, 3.92	RAA435-2145B [78230]	03-'05 Dakota, 2WD, 3.92
RAA435-1919B-P [72329]	98-'99 Dakota, 2WD, 3.92, posi	RAA435-2145B-P [72071]	03-'05 Dakota, 2WD, 3.92, posi
RAA435-1920A [79560]	98-'99 Dakota, 4WD, 3.55	RAA435-2147A [76235]	03-'04 Dakota, 4WD, 3.55
RAA435-1920A-P [70626]	98-'99 Dakota, 4WD, 3.55, posi	RAA435-2147A-P [71945]	03-'04 Dakota, 4WD, 3.55, posi
RAA435-1920B [75169]	98-'99 Dakota, 4WD, 3.92	RAA435-2153A [79433]	2003 Durango, 4WD, 3.55
RAA435-1920B-P [70645]	98-'99 Dakota, 4WD, 3.92, posi	RAA435-2153A-P [75313]	2003 Durango, 4WD, 3.55, posi
RAA435-1922A [77282]	98-'99 Van 1500 & 2500, 5 lug, 3.90	RAA435-2153B [73516]	2003 Durango, 4WD, 3.92
RAA435-1922A-P [73163]	98-'99 Van 1500 & 2500, 5 lug, 3.90, posi	RAA435-2153B-P [76484]	2003 Durango, 4WD, 3.92, posi
RAA435-1922B [70934]	98-'99 Van 1500 & 2500, 5 lug, 3.55	RAA435-2156A [71871]	2003 Van 1500, 3.55
RAA435-1922B-P [72115]	98-'99 Van 1500 & 2500, 5 lug, 3.55, posi	RAA435-2156A-P [74946]	2003 Van 1500, 3.55, posi
RAA435-1923 [71335]	98-'99 Van 1500 & 2500, 8 lug, 3.55	RAA435-2156B [73538]	2003 Van 1500, 3.92
RAA435-1923-P [79551]	98-'99 Van 1500 & 2500, 8 lug, 3.55, posi	RAA435-2156B-P [71074]	2003 Van 1500, 3.92, posi
RAA435-1927B [74003]	98-'99 Durango, 4WD, 3.92	RAA435-2205A [78132]	04-'05 Durango, 4WD, traction control, 3.55
RAA435-1927B-P [73629]	98-'99 Durango, 4WD, 3.92, posi	RAA435-2205A-P [76707]	04-'05 Durango, 4WD, traction control, 3.55, posi
RAA435-1998A [72366]	00-'02 Dakota, 2WD, 3.55	RAA435-2205B [76600]	04-'05 Durango, 4WD, traction control, 3.92
RAA435-1998A-P [71116]	00-'02 Dakota, 2WD, 3.55, posi	RAA435-2205B-P [73665]	04-'05 Durango, 4WD, traction control, 3.92, posi
RAA435-1998B [73119]	00-'02 Dakota, 2WD, 3.92	RAA435-2205C [72448]	04-'05 Durango, 4WD, traction control, 3.55
RAA435-1998B-P [70493]	00-'02 Dakota, 2WD, 3.92, posi	RAA435-2205C-P [78811]	04-'05 Durango, 4WD, traction control, 3.55, posi
RAA435-1999A [73704]	00-'02 Dakota, 4WD, 3.55	RAA435-2205D [74446]	04-'05 Durango, 4WD, traction control, 3.92
RAA435-1999A-P [75355]	00-'02 Dakota, 4WD, 3.55, posi	RAA435-2205D-P [78913]	04-'05 Durango, 4WD, traction control, 3.92, posi
RAA435-1999B [74450]	00-'02 Dakota, 4WD, 3.92	RAA435-2224A [78545]	05-'10 Dakota, 3.21
RAA435-1999B-P [78982]	00-'02 Dakota, 4WD, 3.92, posi	RAA435-2224A-P [72540]	05-'10 Dakota, 3.21, posi
RAA435-1999C [77656]	00-'02 Dakota, 4WD, 3.55	RAA435-2224B [74640]	05-'10 Dakota, 3.55
RAA435-1999C-P [70830]	00-'02 Dakota, 4WD, 3.55, posi	RAA435-2224B-P [78535]	05-'10 Dakota, 3.55, posi
RAA435-1999D [72380]	00-'02 Dakota, 4WD, 3.92	RAA435-2224C [77571]	05-'10 Dakota, 3.92
RAA435-1999D-P [72667]	00-'02 Dakota, 4WD, 3.92, posi	RAA435-2224C-P [70558]	05-'10 Dakota, 3.92, posi
RAA435-2000A [71585]	00-'02 Van 1500, 3.55	RAA435-2205A-P [76707]	04-'05 Durango, 4WD, traction control, 3.55, posi
RAA435-2000A-P [73741]	00-'02 Van 1500, 3.55, posi	RAA435-2205B [76600]	04-'05 Durango, 4WD, traction control, 3.92
RAA435-2000B [75364]	00-'02 Van 1500, 3.92	RAA435-2205B-P [73665]	04-'05 Durango, 4WD, traction control, 3.92, posi
RAA435-2000B-P [72843]	00-'02 Van 1500, 3.92, posi	RAA435-2205C [72448]	04-'05 Durango, 4WD, traction control, 3.55
RAA435-2001 [79410]	00-'03 Van 1500 & 2500, 8 lug, 3.92	RAA435-2205C-P [78811]	04-'05 Durango, 4WD, traction control, 3.55, posi
RAA435-2001-P [74361]	00-'03 Van 1500 & 2500, 8 lug, 3.92, posi	RAA435-2205D [74446]	04-'05 Durango, 4WD, traction control, 3.92
RAA435-2002A [71124]	00-'02 Durango, 4WD, 3.55	RAA435-2205D-P [78913]	04-'05 Durango, 4WD, traction control, 3.92, posi
RAA435-2002A-P [70470]	00-'02 Durango, 4WD, 3.55, posi	RAA435-2224A [78545]	05-'10 Dakota, 3.21
RAA435-2002B [75528]	00-'02 Durango, 4WD, 3.92	RAA435-2224A-P [72540]	05-'10 Dakota, 3.21, posi
RAA435-2002B-P [73286]	00-'02 Durango, 4WD, 3.92, posi	RAA435-2224B [74640]	05-'10 Dakota, 3.55
RAA435-2003A [73209]	00-'01 D1500, 2WD, 3.21	RAA435-2224B-P [78535]	05-'10 Dakota, 3.55, posi
RAA435-2003A-P [75170]	00-'01 D1500, 2WD, 3.21, posi	RAA435-2224C [77571]	05-'10 Dakota, 3.92
RAA435-2003B [74979]	00-'01 D1500, 2WD, 3.55	RAA435-2224C-P [70558]	05-'10 Dakota, 3.92, posi
RAA435-2003B-P [78905]	00-'01 D1500, 2WD, 3.55, posi	RAA435-121A [75399]	07-'08 Ram 1500, 2WD, square flange, w/o ESP, 3.21
RAA435-2003C [71808]	00-'01 D1500, 2WD, 3.92	RAA435-121A-P [78390]	07-'08 Ram 1500, 2WD, square flange, w/o ESP, 3.21, posi
RAA435-2003C-P [76492]	00-'01 D1500, 2WD, 3.92, posi	RAA435-121B [74654]	07-'08 Ram 1500, 2WD, square flange, w/o ESP, 3.55
RAA435-2004A [73087]	00-'01 D1500, 4WD, 3.55	RAA435-121B-P [79711]	07-'08 Ram 1500, 2WD, square flange, w/o ESP, 3.55, posi
RAA435-2004A-P [77171]	00-'01 D1500, 4WD, 3.55, posi	RAA435-121C [76395]	07-'08 Ram 1500, 2WD, square flange, w/o ESP, 3.92
RAA435-2004B [72940]	00-'01 D1500, 4WD, 3.92	RAA435-121C-P [71819]	07-'08 Ram 1500, 2WD, square flange, w/o ESP, 3.92, posi
RAA435-2004B-P [75130]	00-'01 D1500, 4WD, 3.92, posi	RAA435-122A [70374]	07-'08 Ram 1500, 3.21
RAA435-2004C [75246]	00-'01 D1500, 4WD, 4.11	RAA435-122A-P [71087]	07-'08 Ram 1500, 3.21, posi
RAA435-2004C-P [74741]	00-'01 D1500, 4WD, 4.11, posi	RAA435-122B [72733]	07-'08 Ram 1500, 3.55
RAA435-2112A [76630]	02-'05 D1500, 2WD, 3.55	RAA435-122B-P [74063]	07-'08 Ram 1500, 3.55, posi
RAA435-2112A-P [71125]	02-'05 D1500, 2WD, 3.55, posi	RAA435-122C [71377]	07-'08 Ram 1500, 3.92
RAA435-2112B [76847]	02-'05 D1500, 2WD, 3.90	RAA435-122C-P [74318]	07-'08 Ram 1500, 3.92, posi
RAA435-2112B-P [71105]	02-'05 D1500, 2WD, 3.90, posi	RAA435-123A [74250]	06-'08 Ram 1500, 4WD, square flange, 3.55
RAA435-2112C [70827]	02-'05 D1500, 2WD, 3.21	RAA435-123A-P [77214]	06-'08 Ram 1500, 4WD, square flange, 3.55, posi
RAA435-2112C-P [72735]	02-'05 D1500, 2WD, 3.21, posi		
RAA435-2112D [74664]	02-'07 Ram 1500		
RAA435-2112D-P [74683]	02-'07 Ram 1500, 3.21, posi		
RAA435-2112E [78490]	02-'07 Ram 1500, 3.55		
RAA435-2112E-P [78898]	02-'07 Ram 1500, 3.55, posi		
RAA435-2112F [77457]	02-'05 Ram 1500, 2WD 3.90		
RAA435-2112F-P [73422]	02-'05 Ram 1500, 2WD, 3.90, posi		

Continued on next page



Chrysler 9.25" (Cont.)

AXLE ASSEMBLIES

PART #	Description	PART #	Description
RAA435-123B [74994]	06-'08 Ram 1500, 4WD, square flange, 3.92	RAA435-1545A [74022]	89-'93 3/4 ton, 3.55
RAA435-123B-P [74499]	06-'08 Ram 1500, 4WD, square flange, 3.92, posi	RAA435-1545A-P [79059]	89-'93 3/4 ton, 3.55, posi
RAA435-124A [79502]	07-'08 Ram 1500, square flange, w/ ESP, 3.55	RAA435-1545B [70772]	89-'93 3/4 ton, 3.92
RAA435-124A-P [75064]	07-'08 Ram 1500, square flange, w/ ESP, 3.55, posi	RAA435-1545B-P [75879]	89-'93 3/4 ton, 3.92, posi
RAA435-124B [73586]	07-'08 Ram 1500, square flange, w/ ESP, 3.92	RAA435-1580A [76955]	90-'93 van 350, 3.55
RAA435-124B-P [72291]	07-'08 Ram 1500, square flange, w/ ESP, 3.92, posi	RAA435-1580A-P [74857]	90-'93 van 350, 3.55, posi
RAA435-1438A [75803]	85-'89 1500, non-ABS, 3.21	RAA435-1580B [78277]	90-'93 van 350, 3.90
RAA435-1438A-P [78299]	85-'89 1500, non-ABS, 3.21, posi	RAA435-1580B-P [70788]	90-'93 van 350, 3.90, posi
RAA435-1438B [73841]	85-'89 1500, ABS, 3.21	RAA435-1621A [74183]	29-'97 250 van, 5 lug, 3.55
RAA435-1438B-P [79581]	85-'89 1500, ABS, 3.21, posi	RAA435-1621A-P [76616]	29-'97 250 van, 5 lug, 3.55, posi
RAA435-1438C [77372]	85-'89 1500, non-ABS, 3.55	RAA435-1621B [72669]	29-'97 250 van, 5 lug, 3.90
RAA435-1438C-P [79207]	85-'89 1500, non-ABS, 3.55, posi	RAA435-1621B-P [73242]	29-'97 250 van, 5 lug, 3.90, posi
RAA435-1438D [75361]	85-'89 1500, ABS, 3.55	RAA435-1621C [79524]	29-'97 250 van, 5 lug, 3.21
RAA435-1438D-P [70200]	85-'89 1500, ABS, 3.55, posi	RAA435-1621C-P [78667]	29-'97 250 van, 5 lug, 3.21, posi
RAA435-1438E [74041]	85-'89 1500, non-ABS, 3.92	RAA435-1768A [76801]	1994 Ram 2500, 2WD, 3.55
RAA435-1438E-P [71117]	85-'89 1500, non-ABS, 3.92, posi	RAA435-1768A-P [75393]	1994 Ram 2500, 2WD, 3.55, posi
RAA435-1438F [78091]	85-'89 1500, ABS, 3.92	RAA435-1768B [75065]	1994 Ram 2500, 2WD, 3.90
RAA435-1438F-P [71389]	85-'89 1500, ABS, 3.92, posi	RAA435-1768B-P [72881]	1994 Ram 2500, 2WD, 3.90, posi
RAA435-167A [78211]	09-'10 Ram 1500, square brake flange, 3.21	RAA435-1769A [72379]	94-'99 Ram 2500, 2WD, staggered shocks, 3.55
RAA435-167A-P [77666]	09-'10 Ram 1500, square brake flange, 3.21, posi	RAA435-1769A-P [78289]	94-'99 Ram 2500, 2WD, staggered shocks, 3.55, posi
RAA435-167B [76930]	09-'10 Ram 1500, square brake flange, 3.55	RAA435-1769B [72543]	94-'99 Ram 2500, 2WD, staggered shocks, 3.90
RAA435-167B-P [77135]	09-'10 Ram 1500, square brake flange, 3.55, posi	RAA435-1769B-P [77469]	94-'99 Ram 2500, 2WD, staggered shocks, 3.90, posi
RAA435-167C [76276]	09-'10 Ram 1500, square brake flange, 3.92	RAA435-1752A [77732]	94-'97 3500 van, 3.21
RAA435-167C-P [77382]	09-'10 Ram 1500, square brake flange, 3.92, posi	RAA435-1752A-P [72632]	94-'97 3500 van, 3.21, posi
RAA435-167D [71103]	09-'10 Ram 1500, square brake flange, 4.11	RAA435-1752B [76705]	94-'97 3500 van, 3.55
RAA435-167D-P [72149]	09-'10 Ram 1500, square brake flange, 4.11, posi	RAA435-1752B-P [75158]	94-'97 3500 van, 3.55, posi
RAA435-138A [74275]	07-'09 Aspen & Durango, 3.55	RAA435-1752C [70688]	94-'97 3500 van, 3.90
RAA435-138A-P [79328]	07-'09 Aspen & Durango, 3.55, posi	RAA435-1752C-P [76243]	94-'97 3500 van, 3.90, posi
RAA435-138B [75338]	07-'09 Aspen & Durango, 3.92	RAA435-1753 [73028]	94-'97 3500 van, 3.54
RAA435-138B-P [78584]	07-'09 Aspen & Durango, 3.92, posi	RAA435-1753-P [76858]	94-'97 3500 van, 3.54, posi
RAA435-138C [71535]	07-'09 Aspen & Durango, 3.21	RAA435-1754A [77177]	1994 D150, 2WD, 3.21
RAA435-138C-P [78727]	07-'09 Aspen & Durango, 3.21, posi	RAA435-1754A-P [75559]	1994 D150, 2WD, 3.21, posi
RAA435-1424A [72440]	84-'88 D250 & W250, 3.55	RAA435-1754B [75434]	1994 D150, 2WD, 3.55
RAA435-1424A-P [76916]	84-'88 D250 & W250, 3.55, posi	RAA435-1754B-P [75844]	1994 D150, 2WD, 3.55, posi
RAA435-1424B [70782]	84-'88 D250 & W250, 3.92	RAA435-1754C [74380]	1994 D150, 2WD, 3.90
RAA435-1424B-P [72085]	84-'88 D250 & W250, 3.92, posi	RAA435-1754C-P [70704]	1994 D150, 2WD, 3.90, posi
RAA435-1542A [70407]	91-'93 D150, W150 & Ramcharger, 3.21	RAA435-1755A [72915]	94-'99 D1500, 2WD, staggered shocks, 3.21
RAA435-1542A-P [77953]	91-'93 D150, W150 & Ramcharger, 3.21, posi	RAA435-1755A-P [71237]	94-'99 D1500, 2WD, staggered shocks, 3.21, posi
RAA435-1542B [73924]	91-'93 D150, W150 & Ramcharger, 3.55	RAA435-1755B [75234]	94-'99 D1500, 2WD, staggered shocks, 3.55
RAA435-1542B-P [78839]	91-'93 D150, W150 & Ramcharger, 3.55, posi	RAA435-1755B-P [77954]	94-'99 D1500, 2WD, staggered shocks, 3.55, posi
RAA435-1542C [77432]	91-'93 D150, W150 & Ramcharger, 3.92	RAA435-1755C [75674]	94-'99 D1500, 2WD, staggered shocks, 3.90
RAA435-1542C-P [74669]	91-'93 D150, W150 & Ramcharger, 3.92, posi	RAA435-1755C-P [70534]	94-'99 D1500, 2WD, staggered shocks, 3.90, posi
		RAA435-1757 [72364]	1994 D1500, 4WD, 3.55
		RAA435-1757-P [72170]	1994 D1500, 4WD, 3.55, posi
		RAA435-1758A [73820]	94-'99 D1500, 4WD, staggered shocks, 3.55
		RAA435-1758A-P [72152]	94-'99 D1500, 4WD, staggered shocks, 3.55, posi
		RAA435-1758B [77844]	94-'99 D1500, 4WD, staggered shocks, 3.90
		RAA435-1758B-P [77635]	94-'99 D1500, 4WD, staggered shocks, 3.90, posi

Chrysler 9.25" Front

PART #	Description	PART #	Description
RAA434-103 [74882]	2005 Powerwagon, w/ electric locker, 4.56	RAA434-1950A [72401]	03-'05 Ram 2500 & 3500, 4 wheel ABS, 3.73
RAA434-110A [73761]	06-'07 Ram, 4 wheel ABS, 3.73	RAA434-1950B [71664]	03-'05 Ram 2500 & 3500, 4 wheel ABS, 4.11
RAA434-110B [77570]	06-'07 Ram, 4 wheel ABS, 4.11	RAA434-1969A [76098]	12-'13 Ram 2500 & 3500, flat yoke, 3.42
RAA434-111A [72411]	07-'08 Ram, 4 wheel ABS, 3.73	RAA434-1969B [78316]	12-'13 Ram 2500 & 3500, flat yoke, 3.73
RAA434-111B [73126]	07-'08 Ram, 4 wheel ABS, 4.11	RAA434-1969C [73936]	12-'13 Ram 2500 & 3500, flat yoke, 4.11
RAA434-111C [78177]	07-'08 Ram, 4 wheel ABS, 3.42	RAA434-1969D [74965]	12-'13 Ram 2500 & 3500, flat yoke, 3.42
RAA434-112 [77054]	06-'07 Powerwagon, 4 wheel ABS, 4.56	RAA434-1969E [71783]	12-'13 Ram 2500 & 3500, flat yoke, 3.73
RAA434-113 [74984]	07-'08 Ram, w/ electric locker, 4.56	RAA434-1969F [72838]	12-'13 Ram 2500 & 3500, flat yoke, 4.11
RAA434-121A [70799]	2009 Ram 1500, 3.42	RAA434-1973A [78708]	13-'14 Ram 2500 & 3500, 3.42
RAA434-121B [77927]	2009 Ram 1500, 3.73	RAA434-1973B [72748]	13-'14 Ram 2500 & 3500, 3.73
RAA434-121C [77877]	2009 Ram 1500, 4.11	RAA434-1973C [73577]	13-'14 Ram 2500 & 3500, 4.11
RAA434-122 [74633]	2009 Ram 1500, w/ electric locker, 4.56	RAA434-1974A [75411]	13-'14 Ram 2500 & 3500, 3.42
RAA434-125A [75494]	10-'11 Ram, 3.42	RAA434-1974B [71631]	13-'14 Ram 2500 & 3500, 3.73
RAA434-125B [74224]	10-'11 Ram, 3.73	RAA434-1974C [73285]	13-'14 Ram 2500 & 3500, 4.11
RAA434-125C [70423]	10-'11 Ram, 4.11	RAA434-1974D [79240]	13-'14 Ram 2500 & 3500, 4.44
RAA434-126 [75455]	10-'11 Powerwagon, w/ electric locker, 4.56		

Chrysler / AAM 10.5"

PART #	Description	PART #	Description
RAA435-168A [72691]	2009 Ram 2500, 2WD, 3.73	RAA435-168B [78689]	2009 Ram 2500, 2WD, 4.11
RAA435-168A-P [76033]	2009 Ram 2500, 2WD, 3.73, posi	RAA435-168B-P [79223]	2009 Ram 2500, 2WD, 4.11, posi

Chrysler 10.5"

PART #	Description	PART #	Description
RAA435-119A [78090]	06-'08 Ram 1500 & 2500, 2WD, 3.73	RAA435-2160A [75188]	2003 Ram 2500, 4WD, w/o dampner, 3.73
RAA435-119A-P [70630]	06-'08 Ram 1500 & 2500, 2WD, 3.73, posi	RAA435-2160A-P [77293]	2003 Ram 2500, 4WD, w/o dampner, 3.73, posi
RAA435-119B [77700]	06-'08 Ram 1500 & 2500, 2WD, 4.11	RAA435-2160B [75073]	2003 Ram 2500, 4WD, w/o dampner, 4.11
RAA435-119B-P [75912]	06-'08 Ram 1500 & 2500, 2WD, 4.11, posi	RAA435-2160B-P [79530]	2003 Ram 2500, 4WD, w/o dampner, 4.11, posi
RAA435-125A [74719]	06-'08 Ram 1500, 3.73	RAA435-2160C [73708]	03-'05 Ram 2500, 4WD, w/ dampner, 3.73
RAA435-125A-P [75534]	06-'08 Ram 1500, 3.73, posi	RAA435-2160C-P [72787]	03-'05 Ram 2500, 4WD, w/ dampner, 3.73, posi
RAA435-125B [75516]	06-'08 Ram 1500, 4.11	RAA435-2160D [74767]	03-'05 Ram 2500, 4WD, w/ dampner, 4.11
RAA435-125B-P [72161]	06-'08 Ram 1500, 4.11, posi	RAA435-2160D-P [75043]	03-'05 Ram 2500, 4WD, w/ dampner, 4.11, posi
RAA435-170A [72339]	2009 Ram 2500, 4WD, SRW, 3.73	RAA435-2286A [74116]	12-'13 Ram 2500, 3.73
RAA435-170A-P [72851]	2009 Ram 2500, 4WD, SRW, 3.73, posi	RAA435-2286A-P [71203]	12-'13 Ram 2500, 3.73, posi
RAA435-170B [74901]	2009 Ram 2500, 4WD, SRW, 4.11	RAA435-2286B [77891]	12-'13 Ram 2500, 4.11
RAA435-170B-P [73000]	2009 Ram 2500, 4WD, SRW, 4.11, posi	RAA435-2286B-P [71787]	12-'13 Ram 2500, 4.11, posi
RAA435-170C-P [76533]	2009 Ram 2500, 4WD, SRW, 4.56, posi	RAA435-254A [71550]	10-'11 Ram 2500, 3.73
RAA435-2157A [78029]	2003 Ram 2500, 2WD, w/o dampner, 3.73	RAA435-254A-P [75663]	10-'11 Ram 2500, 3.73, posi
RAA435-2157A-P [71271]	2003 Ram 2500, 2WD, w/o dampner, 3.73, posi	RAA435-254B [75348]	10-'11 Ram 2500, 4.11
RAA435-2157B [73352]	2003 Ram 2500, 2WD, w/o dampner, 4.11	RAA435-254B-P [74014]	10-'11 Ram 2500, 4.11, posi
RAA435-2157B-P [75028]	2003 Ram 2500, 2WD, w/o dampner, 4.11, posi	RAA435-256A [75929]	10-'11 Ram 2500, 4WD
RAA435-2157C [72234]	03-'05 Ram 2500, 2WD, w/ dampner, 3.73	RAA435-256A-P [71917]	10-'11 Ram 2500, 4WD, posi
RAA435-2157C-P [77687]	03-'05 Ram 2500, 2WD, w/ dampner, 3.73, posi	RAA435-256B [75792]	10-'11 Ram 2500, 4WD
RAA435-2157D [76044]	03-'05 Ram 2500, 2WD, w/ dampner, 4.11	RAA435-256B-P [77118]	10-'11 Ram 2500, 4WD, posi
RAA435-2157D-P [79003]	03-'05 Ram 2500, 2WD, w/ dampner, 4.11, posi	RAA435-257 [78392]	10-'11 Ram 2500, 4WD, electric locker

Chrysler 11.5"

PART #	Description	PART #	Description
RAA435-120A [73302]	06-'08 Ram 1500 Mega Cab, 2WD, SRW, 3.73	RAA435-199A-P [70724]	09-'11 Ram 3500, DRW, 4WD, posi
RAA435-120A-P [74015]	06-'08 Ram 1500 Mega Cab, 2WD, SRW, 3.73, posi	RAA435-199B [70554]	a09-'11 Ram 3500, DRW, 4WD
RAA435-120B [74056]	06-'08 Ram 1500 Mega Cab, 2WD, SRW, 4.11	RAA435-199B-P [77537]	09-'11 Ram 3500, DRW, 4WD, posi
RAA435-120B-P [79414]	06-'08 Ram 1500 Mega Cab, 2WD, SRW, 4.11, posi	RAA435-199C [74985]	09-'11 Ram 3500, DRW, 4WD
RAA435-120C [77817]	06-'08 Ram 1500 Mega Cab, 2WD, SRW, 3.42	RAA435-199C-P [77957]	09-'11 Ram 3500, DRW, 4WD, posi
RAA435-120C-P [75540]	06-'08 Ram 1500 Mega Cab, 2WD, SRW, 3.42, posi	RAA435-201A [70045]	09-'11 Ram 3500, DRW, cab chassis, 3.42
RAA435-128A [76950]	06-'08 Ram 3500, DRW, 3.73	RAA435-201A-P [75831]	09-'11 Ram 3500, DRW, cab chassis, 3.42, posi
RAA435-128A-P [73601]	06-'08 Ram 3500, DRW, 3.73, posi	RAA435-201B [76293]	09-'11 Ram 3500, DRW, cab chassis, 3.73
RAA435-128B [77092]	06-'08 Ram 3500, DRW, 4.11	RAA435-201B-P [75523]	09-'11 Ram 3500, DRW, cab chassis, 3.73, posi
RAA435-128B-P [75691]	06-'08 Ram 3500, DRW, 4.11, posi	RAA435-201C [77089]	09-'11 Ram 3500, DRW, cab chassis, 4.11
RAA435-128C [74745]	06-'08 Ram 3500, DRW, 3.42	RAA435-201C-P [75469]	09-'11 Ram 3500, DRW, cab chassis, 4.11, posi
RAA435-128C-P [74966]	06-'08 Ram 3500, DRW, 3.42, posi	RAA435-2158A [77912]	2003 Ram 2500 & 3500, 2WD, w/o dampner, 3.73
RAA435-129A [74257]	07-'08 Ram 3500, SRW, cab chassis, 3.73	RAA435-2158A-P [71895]	2003 Ram 2500 & 3500, 2WD, w/o dampner, 3.73, posi
RAA435-129A-P [78459]	07-'08 Ram 3500, SRW, cab chassis, 3.73, posi	RAA435-2158B [75303]	2003 Ram 2500 & 3500, 2WD, w/o dampner, 4.11
RAA435-129B [71080]	07-'08 Ram 3500, SRW, cab chassis, 4.11	RAA435-2158B-P [70580]	2003 Ram 2500 & 3500, 2WD, w/o dampner, 4.11, posi
RAA435-129B-P [77829]	07-'08 Ram 3500, SRW, cab chassis, 4.11, posi	RAA435-2158C [71813]	2003 Ram 2500 & 3500, 2WD, 3.73
RAA435-130A [76079]	07-'08 Ram 3500, DRW, cab chassis, 3.73	RAA435-2158C-P [73959]	2003 Ram 2500 & 3500, 2WD, 3.73, posi
RAA435-130A-P [77807]	07-'08 Ram 3500, DRW, cab chassis, 3.73, posi	RAA435-2158D [71408]	03-'05 Ram 2500 & 3500, 2WD, w/ dampner, 4.11
RAA435-130B [78336]	07-'08 Ram 3500, DRW, cab chassis, 4.11	RAA435-2158D-P [73517]	03-'05 Ram 2500 & 3500, 2WD, w/ dampner, 4.11, posi
RAA435-130B-P [78968]	07-'08 Ram 3500, DRW, cab chassis, 4.11, posi	RAA435-2159A [71844]	2003 Ram 2500 & 3500, 4WD, w/o dampner, 3.73
RAA435-169A [72493]	2009 Ram 2500 & 3500, 2WD, SRW, 3.42	RAA435-2159A-P [75094]	2003 Ram 2500 & 3500, 4WD, w/o dampner, 3.73, posi
RAA435-169A-P [78228]	2009 Ram 2500 & 3500, 2WD, SRW, 3.42, posi	RAA435-2159B [75578]	2003 Ram 2500 & 3500, 4WD, w/o dampner, 4.11
RAA435-169B [70573]	2009 Ram 2500 & 3500, 2WD, SRW, 3.73	RAA435-2159B-P [77584]	2003 Ram 2500 & 3500, 4WD, w/o dampner, 4.11, posi
RAA435-169B-P [79588]	2009 Ram 2500 & 3500, 2WD, SRW, 3.73, posi	RAA435-2159C [77585]	2003 Ram 2500 & 3500, 4WD, 3.73
RAA435-169C [76483]	2009 Ram 2500 & 3500, 2WD, SRW, 4.11	RAA435-2159C-P [70400]	2003 Ram 2500 & 3500, 4WD, 3.73, posi
RAA435-169C-P [75983]	2009 Ram 2500 & 3500, 2WD, SRW, 4.11, posi	RAA435-2159D [76558]	03-'05 Ram 2500 & 3500, 4WD, w/ dampner, 4.11
RAA435-171A [73763]	2009 Ram 2500 & 3500, 4WD, SRW, 3.42	RAA435-2159D-P [72860]	03-'05 Ram 2500 & 3500, 4WD, w/ dampner, 4.11, posi
RAA435-171A-P [70973]	2009 Ram 2500 & 3500, 4WD, SRW, 3.42, posi		
RAA435-171B [75104]	2009 Ram 2500 & 3500, 4WD, SRW, 3.73		
RAA435-171B-P [77677]	2009 Ram 2500 & 3500, 4WD, SRW, 3.73, posi		
RAA435-171C [76966]	2009 Ram 2500 & 3500, 4WD, SRW, 4.11		
RAA435-171C-P [71292]	2009 Ram 2500 & 3500, 4WD, SRW, 4.11, posi		
RAA435-199A [76557]	09-'11 Ram 3500, DRW, 4WD		



Chrysler 11.5" (Cont.)

PART #	Description	PART #	Description
RAA435-2159E [77306]	03-'05 Ram 2500 & 3500, 4WD, w/ dampner, 3.42	RAA435-2289C-P [77790]	2012 Ram 3500, DRW, 2WD, 4.11, posi
RAA435-2159E-P [72882]	03-'05 Ram 2500 & 3500, 4WD, w/ dampner, 3.42, posi	RAA435-2290A [72465]	2012 Ram 3500, 4WD, DRW, 3.42
RAA435-2159F [73780]	2008 Ram 1500 & 2500, SRW, 4WD, w/ dampner, 3.73	RAA435-2290A-P [78575]	2012 Ram 3500, 4WD, DRW, 3.42, posi
RAA435-2159F-P [78534]	2008 Ram 1500 & 2500, SRW, 4WD,	RAA435-2290B [79037]	2012 Ram 3500, 4WD, DRW, 3.73
RAA435-2159G [75735]	2008 Ram 1500 & 2500, SRW, 4WD, w/ dampner, 4.11	RAA435-2290B-P [74858]	2012 Ram 3500, 4WD, DRW, 3.73, posi
RAA435-2159G-P [78994]	2008 Ram 1500 & 2500, SRW, 4WD, w/ dampner, 4.11, posi	RAA435-2290C [76485]	2012 Ram 3500, 4WD, DRW, 4.11
RAA435-2161A [74439]	2003 Ram 3500, 2WD, w/o dampner, 3.73	PART #	Description
RAA435-2161A-P [78273]	2003 Ram 3500, 2WD, w/o dampner, 3.73, posi	RAA435-2290C-P [76010]	2012 Ram 3500, 4WD, DRW, 4.11, posi
RAA435-2161B [75196]	2003 Ram 3500, 2WD, w/o dampner, 4.11	RAA435-2292A [71117]	2012 Ram 3500, DRW, chassis cab, 3.42
RAA435-2161B-P [75404]	2003 Ram 3500, 2WD, w/o dampner, 4.11, posi	RAA435-2292A-P [78000]	2012 Ram 3500, DRW, chassis cab, 3.42, posi
RAA435-2161C [77250]	2003 Ram 3500, 2WD, w/ dampner, 3.73	RAA435-2292B [72433]	2012 Ram 3500, DRW, chassis cab, 3.73
RAA435-2161C-P [70512]	2003 Ram 3500, 2WD, w/ dampner, 4.11	RAA435-2292B-P [74863]	2012 Ram 3500, DRW, chassis cab, 3.73, posi
RAA435-2161D [77922]	2003 Ram 3500, 2WD, w/ dampner, 4.11, posi	RAA435-2292C [78820]	2012 Ram 3500, DRW, chassis cab, 4.11
RAA435-2161D-P [72186]	2003 Ram 3500, 4WD, w/ dampner, 4.11	RAA435-2292C-P [75197]	2012 Ram 3500, DRW, chassis cab, 4.11, posi
RAA435-2162A [74514]	2003 Ram 3500, 4WD, w/o dampner, 3.73	RAA435-2314A [76372]	14-'15 Ram 3500
RAA435-2162A-P [74217]	2003 Ram 3500, 4WD, w/o dampner, 3.73, posi	RAA435-2314A-P [74441]	14-'15 Ram 3500, posi
RAA435-2162B [77992]	2003 Ram 3500, 4WD, w/o dampner, 4.11	RAA435-2314B [75200]	14-'15 Ram 3500
RAA435-2162B-P [72598]	2003 Ram 3500, 4WD, w/o dampner, 4.11, posi	RAA435-2314B-P [72362]	14-'15 Ram 3500, posi
RAA435-2162C [76679]	03-'05 Ram 3500, 4WD, w/ dampner, 3.73	RAA435-2314C [71727]	14-'15 Ram 3500
RAA435-2162C-P [77952]	03-'05 Ram 3500, 4WD, w/ dampner, 3.73, posi	RAA435-2314C-P [77646]	14-'15 Ram 3500, posi
RAA435-2162D [74073]	03-'05 Ram 3500, 4WD, w/ dampner, 4.11	RAA435-2322A [71310]	2014 Ram 3500, SRW, 3.42
RAA435-2162D-P [78973]	03-'05 Ram 3500, 4WD, w/ dampner, 4.11, posi	RAA435-2322A-P [77966]	2014 Ram 3500, SRW, 3.42, posi
RAA435-2162E [73344]	03-'08 Ram 3500, 4WD, SRW, w/ dampner, 4.11, posi	RAA435-2322B [75077]	2014 Ram 3500, SRW, 3.73
RAA435-2162E-P [79258]	03-'08 Ram 3500, 4WD, SRW, w/ dampner, 3.42, posi	RAA435-2322B-P [74503]	2014 Ram 3500, SRW, 3.73, posi
RAA435-2288A [79260]	12-'13 Ram 3500, SRW, 4WD, 3.42	RAA435-2322C [77706]	2014 Ram 3500, SRW, 4.11
RAA435-2288A-P [77143]	12-'13 Ram 3500, SRW, 4WD, 3.42, posi	RAA435-2322C-P [77958]	2014 Ram 3500, SRW, 4.11, posi
RAA435-2288B [78591]	2012 Ram 3500, SRW, 4WD, 3.73	RAA435-255A [70155]	10-'11 Ram 2500, 2WD, 3.42
RAA435-2288B-P [70003]	2012 Ram 3500, SRW, 4WD, 4.11	RAA435-255A-P [74294]	10-'11 Ram 2500, 2WD, 3.42, posi
RAA435-2288C [71647]	2012 Ram 3500, SRW, 4WD, 4.11, posi	RAA435-255B [76430]	10-'11 Ram 2500, 2WD, 3.73
RAA435-2288C-P [72960]	2012 Ram 3500, SRW, 4WD, 4.11, posi	RAA435-255B-P [71370]	10-'11 Ram 2500, 2WD, 3.73, posi
RAA435-2289A [73303]	2012 Ram 3500, DRW, 2WD, 3.42	RAA435-255C [78339]	10-'11 Ram 2500, 2WD, 4.11
RAA435-2289A-P [72889]	2012 Ram 3500, DRW, 2WD, 3.42, posi	RAA435-255C-P [72485]	10-'11 Ram 2500, 2WD, 4.11, posi
RAA435-2289B [79248]	2012 Ram 3500, DRW, 2WD, 3.73	RAA435-258A [77739]	10-'11 Ram 2500, 4WD, 3.42
RAA435-2289B-P [74886]	2012 Ram 3500, DRW, 2WD, 3.73, posi	RAA435-258A-P [75771]	10-'11 Ram 2500, 4WD, 3.42, posi
RAA435-2289C [75856]	2012 Ram 3500, DRW, 2WD, 4.11	RAA435-258B [77039]	10-'11 Ram 2500, 4WD, 3.73
		RAA435-258B-P [75583]	10-'11 Ram 2500, 4WD, 3.73, posi
		RAA435-258C [74399]	10-'11 Ram 2500, 4WD, 4.11
		RAA435-258C-P [70928]	10-'11 Ram 2500, 4WD, 4.11, posi

Ford D28

PART #	Description	PART #	Description
RAA440-1281B [77505]	91-'94 Explorer, 3.45	RAA440-1330A [70936]	93-'97 Ranger, 3.73
RAA440-1281D [71110]	91-'94 Explorer, 4.11	RAA440-1330B [76917]	93-'97 Ranger, 4.11

Ford D30

PART #	Description	PART #	Description
RAA440-1376A [76708]	02-'05 Explorer, 3.55	RAA440-1376B [76208]	02-'05 Explorer, 3.73

Ford D44

PART #	Description	PART #	Description
RAA440-1282A [74580]	83-'91 F150, 3.07	RAA440-1282C [71372]	83-'87 F150, 3.54
RAA440-1282B [76103]	83-'91 F150, 3.54	RAA440-1282D [72692]	83-'91 F150, 4.09

Ford D44IFS

PART #	Description	PART #	Description
RAA440-1289A [77757]	92-'96 F150, 3.07	RAA440-1289C [70743]	92-'96 F150, 3.54
RAA440-1289B [76738]	92-'96 F150, 3.31	RAA440-1289D [79415]	92-'96 F150, 4.11

Ford D50

PART #	Description	PART #	Description
RAA434-1958A [70311]	01-'04 Excursion, 4 wheel ABS, 3.73	RAA434-1958C [77241]	01-'04 Excursion, 4 wheel ABS, 4.30
RAA434-1958B [70629]	01-'04 Excursion, 4 wheel ABS, 4.11		

Ford D50IFS

PART #	Description	PART #	Description
RAA440-1283A [74136]	81-'97 F250 & F350, 3.54	RAA440-1283B [77495]	81-'97 F250 & F350, 4.11

Ford D60

PART #	Description	PART #	Description
RAA435-158A [75861]	05-'07 F350 5.4L, DRW, 3.73	RAA435-179-P [74449]	06-'07 E350, 3.73, posi
RAA435-158A-P [70507]	05-'07 F350 5.4L, DRW, 3.73, posi	RAA435-181A [79491]	09-'14 E150, semi-float, advance trac, 3.73
RAA435-158B [74453]	05-'07 F350 5.4L, DRW, 4.11	RAA435-181A-P [79153]	09-'14 E150, semi-float, advance trac, 3.73, posi
RAA435-158B-P [76565]	05-'07 F350 5.4L, DRW, 4.11, posi	RAA435-181B [71160]	09-'14 E150, semi-float, advance trac, 4.11
RAA435-158C [72438]	05-'07 F350 5.4L, DRW, 4.30	RAA435-181B-P [78669]	09-'14 E150, semi-float, advance trac, 4.11, posi
RAA435-158C-P [74072]	05-'07 F350 5.4L, DRW, 4.30, posi	RAA435-182A [79296]	09-'14 E250, semi-float, advance trac, 3.73
RAA435-158D [72338]	05-'07 F350 6.0L & 6.8L, DRW, 3.73	RAA435-182A-P [71081]	09-'14 E250, semi-float, advance trac, 3.73, posi
RAA435-158D-P [71916]	05-'07 F350 6.0L & 6.8L, DRW, 3.73, posi	RAA435-182B [73374]	09-'14 E250, semi-float, advance trac, 4.11
RAA435-158E [71544]	05-'07 F350 6.0L & 6.8L, DRW, 4.11	RAA435-182B-P [75721]	09-'14 E250, semi-float, advance trac, 4.11, posi
RAA435-158E-P [71286]	05-'07 F350 6.0L & 6.8L, DRW, 4.11, posi	RAA435-183A [76466]	09-'14 E350, SRW, semi-float, advance trac, 3.73
RAA435-158F [78723]	05-'07 F350 6.0L & 6.8L, DRW, 4.30	RAA435-183A-P [77362]	09-'14 E350, SRW, semi-float, advance trac, 3.73, posi
RAA435-158F-P [71557]	05-'07 F350 6.0L & 6.8L, DRW, 4.30, posi	RAA435-183B [79035]	09-'14 E350, SRW, semi-float, advance trac, 4.11
RAA435-1693A [71021]	92-'94 E350, SRW, full float, 3.54	RAA435-183B-P [71333]	09-'14 E350, SRW, semi-float, advance trac, 4.11, posi
RAA435-1693A-P [70833]	92-'96 E350, SRW, full float, 3.54, posi	RAA435-1966A [75872]	97-'00 E250, semi-float, drum brakes, 3.73
RAA435-1693B [73716]	92-'96 E350, SRW, full float, 3.73	RAA435-1966A-P [70839]	97-'00 E250, semi-float, drum brakes, 3.73, posi
RAA435-1693B-P [77281]	92-'94 E350, SRW, full float, 3.73, posi	RAA435-1966B [72641]	97-'00 E250, semi-float, drum brakes, 4.09
RAA435-1693C [75972]	92-'94 E350, SRW, full float, 4.11	RAA435-1966B-P [74773]	97-'00 E250, semi-float, drum brakes, 4.09, posi
RAA435-1693C-P [76836]	92-'94 E350, SRW, full float, 4.11, posi	RAA435-1966C [78549]	97-'00 E250, semi-float, disc brakes, 3.73
RAA435-1693D [78227]	92-'93 E350, SRW, full float, 4.11	RAA435-1966C-P [78369]	97-'00 E250, semi-float, disc brakes, 3.73, posi
RAA435-1693D-P [70362]	92-'93 E350, SRW, full float, 4.11, posi	RAA435-1966D [75400]	97-'00 E250, semi-float, disc brakes, 4.09
RAA435-1694A [77721]	92-'93 E350, SRW, full float, 3.54	RAA435-1966D-P [75582]	97-'00 E250, semi-float, disc brakes, 4.09, posi
RAA435-1694A-P [71825]	92-'93 E350, SRW, full float, 3.54, posi	RAA435-1966E [71606]	97-'98 E350, SRW, semi-float, drum brakes, 3.73
RAA435-1694B [76669]	92-'93 E350, SRW, full float, 3.73	RAA435-1966E-P [73733]	97-'98 E350, SRW, semi-float, drum brakes, 3.73, posi
RAA435-1694B-P [72539]	92-'93 E350, SRW, full float, 3.73, posi	RAA435-1967A [77963]	99-'04 E350, SRW, full float, 3.55
RAA435-1694C [70101]	92-'96 E250, SRW, full float, 3.54	RAA435-1967A-P [74731]	99-'04 E350, SRW, full float, 3.55, posi
RAA435-1694C-P [78801]	92-'96 E250, SRW, full float, 3.54, posi	RAA435-1967B [76607]	99-'04 E350, SRW, full float, 3.73
RAA435-1694D [77548]	92-'96 E250, SRW, full float, 3.73	RAA435-1967B-P [79440]	99-'04 E350, SRW, full float, 3.73, posi
RAA435-1694D-P [75212]	92-'96 E250, SRW, full float, 3.73, posi	RAA435-1967C [79461]	99-'04 E350, SRW, full float, 4.10
RAA435-173A [78158]	2008 E150, semi float, disc brake, 3.55	RAA435-1967C-P [77157]	99-'04 E350, SRW, full float, 4.10, posi
RAA435-173A-P [72141]	2008 E150, semi float, disc brake, 3.55, posi	RAA435-2052A [78518]	00-'01 E250, semi-float, 3.73
RAA435-173B [74655]	08-'10 E150, semi float, disc brake, non-advance trac, 3.73	RAA435-2052A-P [78283]	00-'01 E250, semi-float, 3.73, posi
RAA435-173B-P [70508]	08-'10 E150, semi float, disc brake, non-advance trac, 3.73, posi	RAA435-2052B [71363]	00-'01 E250, semi-float, 3.73
RAA435-173C [76081]	08-'10 E150, semi float, disc brake, non-advance trac, 4.11	RAA435-2052B-P [77736]	00-'01 E250, semi-float, 3.73, posi
RAA435-173C-P [77080]	08-'10 E150, semi float, disc brake, non-advance trac, 4.11, posi	RAA435-2052C [75146]	00-'01 E250, semi-float, 4.09
RAA435-174A [75384]	08-'10 E250, semi float, disc brake, non-advance trac, 3.73	RAA435-2052C-P [75891]	00-'01 E250, semi-float, 4.09, posi
RAA435-174A-P [70948]	08-'10 E250, semi float, disc brake, non-advance trac, 3.73, posi	RAA435-2052D [78983]	00-'01 E250, semi-float, 4.09
RAA435-174B [74042]	08-'10 E250, semi float, disc brake, non-advance trac, 4.11	RAA435-2052D-P [74658]	00-'01 E250, semi-float, 4.09, posi
RAA435-174B-P [73508]	08-'10 E250, semi float, disc brake, non-advance trac, 4.11, posi	RAA435-2053A [70935]	95-'96 E350, SRW, full float, 3.54
RAA435-175A [75566]	08-'11 E350, SRW, semi-float, 3.55	RAA435-2053A-P [78573]	95-'96 E350, SRW, full float, 3.54, posi
RAA435-175A-P [70689]	08-'11 E350, SRW, semi-float, 3.55, posi	RAA435-2053B [77353]	95-'96 E350, SRW, full float, 4.11
RAA435-175B [76730]	08-'11 E350, SRW, semi-float, 3.73	RAA435-2053B-P [78826]	95-'96 E350, SRW, full float, 4.11, posi
RAA435-175B-P [73085]	08-'11 E350, SRW, semi-float, 3.73, posi	RAA435-2053C [71365]	97-'98 E350, SRW, full float, 3.54
RAA435-175C [77751]	08-'11 E350, SRW, semi-float, 4.11	RAA435-2053C-P [78732]	97-'98 E350, SRW, full float, 3.54, posi
RAA435-175C-P [74798]	08-'11 E350, SRW, semi-float, 4.11, posi	RAA435-2053D [77517]	97-'98 E350, SRW, full float, 3.73
RAA435-176 [76445]	2008 E350, SRW, full float, disc brake, advance trac, 3.73	RAA435-2053D-P [72153]	97-'98 E350, SRW, full float, 3.73, posi
RAA435-176-P [74053]	2008 E350, SRW, disc brake, full float, advance trac, 3.73, posi	RAA435-2053E [74013]	97-'98 E350, SRW, full float, 4.11
RAA435-179 [77767]	06-'07 E350, 3.73	RAA435-2053E-P [74451]	97-'98 E350, SRW, full float, 4.11, posi
		RAA435-2053F [70489]	97-'98 E250, SRW, full float, 3.54
		RAA435-2053F-P [73591]	97-'98 E250, SRW, full float, 3.54, posi
		RAA435-2053G [75589]	97-'98 E250, SRW, full float, 3.73
		RAA435-2053G-P [78901]	97-'98 E250, SRW, full float, 3.73, posi
		RAA435-2053H [72086]	97-'98 E250, SRW, full float, 4.11
		RAA435-2053H-P [74519]	97-'98 E250, SRW, full float, 4.11, posi
		RAA435-2121A [76957]	2007 E250, WRS, semi-float, 3.73
		RAA435-2121A-P [70560]	2007 E250, WRS, semi-float, 3.73, posi

Ford D60 Front

PART #	Description	PART #	Description
RAA435-2121B [74044]	2007 E250, WRS, semi-float, 4.11	RAA435-2188A-P [75385]	01-'07 E250 & E350, SRW, 3.55, posi
RAA435-2121B-P [75997]	2007 E250, WRS, semi-float, 4.11, posi	RAA435-2188B [76116]	01-'07 E250 & E350, SRW, 3.73
RAA435-2121C [74784]	2007 E250, WRS, semi-float, 3.55	RAA435-2188B-P [73297]	01-'07 E250 & E350, SRW, 3.73, posi
RAA435-2121C-P [78497]	2007 E250, WRS, semi-float, 3.55, posi	RAA435-2188C [72277]	01-'07 E250 & E350, SRW, 4.11
RAA435-2188A [75773]	01-'07 E250 & E350, SRW, 3.55	RAA435-2188C-P [72200]	01-'07 E250 & E350, SRW, 4.11, posi

Ford D60 Front

PART #	Description	PART #	Description
RAA434-118A [75581]	08-'10 F250 & F350, SRW, 3.55	RAA434-1351K [78065]	99-'00 F250 & F350, SRW, 4.30
RAA434-118B [74050]	08-'10 F250 & F350, SRW, 3.73	RAA434-1351M [77760]	1999 F250 & F350, SRW, 4.30
RAA434-118C [77534]	08-'10 F250 & F350, SRW, 4.11	RAA434-1351N [72108]	1999 F250 & F350, 4 wheel ABS, 4.30
RAA434-118D [76164]	08-'10 F250 & F350, SRW, 4.30	RAA434-1352A [79282]	1999 F350, DRW, 3.73
RAA434-118E [78553]	08-'10 F350, DRW, non-wide track, 3.73	RAA434-1352B [75799]	1999 F350, DRW, 3.73
RAA434-118F [72631]	08-'10 F350, DRW, non-wide track, 4.11	RAA434-1352C [72871]	1999 F350, DRW, 4.11
RAA434-118G [70378]	08-'10 F350, DRW, non-wide track, 4.30	RAA434-1352D [79056]	99-'00 F250 & F350, SRW, 4.11
RAA434-118H [79031]	2010 F250 & F350, SRW, 3.31	RAA434-1352E [72546]	1999 F350, DRW, 4.30
RAA434-119A [71091]	08-'09 F350, SRW, 3.73	RAA434-1352F [70310]	99-'00 F350, DRW, 4.30
RAA434-119B [76129]	08-'09 F350, SRW, 4.11	RAA434-1919A [74372]	96-'97 F350, 3.54
RAA434-119C [77509]	08-'09 F350, SRW, 4.30	RAA434-1919B [77330]	96-'97 F350, 4.10
RAA434-127A [75410]	11-'12 F350, SRW, cab chassis, 3.73	RAA434-1919C [79583]	96-'97 F350, 4.10
RAA434-127B [71343]	11-'12 F350, SRW, cab chassis, 4.30	RAA434-1946A [72126]	01-'03 F450, 4.30
RAA434-127C [78782]	11-'12 F350, DRW, cab chassis, 3.73	RAA434-1946B [73498]	01-'03 F450, 4.88
RAA434-127D [75902]	11-'12 F350, DRW, cab chassis, 4.10	RAA434-1946C [76109]	01-'03 F450, 5.38
RAA434-127E [74285]	11-'12 F350, DRW, cab chassis, 4.30	RAA434-1960B [78810]	02-'04 F250 & F350, SRW, 4.11
RAA434-128A [76415]	11-'12 F250, 3.31	RAA434-1960C [73489]	02-'04 F250 & F350, SRW, 4.30
RAA434-128D [77149]	11-'12 F250, 4.30	RAA434-1960D [72395]	01-'04 F350, DRW, 4 wheel ABS, 3.73
RAA434-128E [76902]	11-'12 F250, 3.73	RAA434-1960E [75669]	01-'04 F350, DRW, 4 wheel ABS, 4.11
RAA434-128F [71182]	11-'12 F250, 4.30	RAA434-1960F [78170]	01-'04 F650, DRW, 4 wheel ABS, 4.30
RAA434-1351A [73433]	1999 F250 & F350, SRW, rear ABS, 3.73	RAA434-1968A [73044]	2005 F250 & F350, SRW, 3.73
RAA434-1351B [75117]	99-'01 F250 & F350, SRW, rear ABS, 3.73	RAA434-1968B [71997]	2005 F250 & F350, 4.11
RAA434-1351C [75635]	1999 F250 & F350, SRW, 3.73	RAA434-1968C [75154]	2005 F250 & F350, 4.30
RAA434-1351D [79675]	99-'01 F250 & F350, SRW, 3.73	RAA434-1968D [72547]	05-'07 F250 & F350, 3.73
RAA434-1351D-P [73923]	99-'01 F250 & F350, SRW, 3.73, posi	RAA434-1968E [72388]	05-'07 F250 & F350, 4.11
RAA434-1351E [76553]	1999 F250 & F350, SRW, 4.11	RAA434-1968J [74101]	05-'07 F250 & F350, 4.30
RAA434-1351F [79389]	99-'00 F250 & F350, SRW, 4.11	RAA434-128B [70110]	11-'12 F250, 3.55
RAA434-1351G [78629]	1999 F250 & F350, SRW, 4.11	RAA434-128C [73609]	11-'12 F250, 3.73
RAA434-1351H [72974]	99-'01 F250 & F350, SRW, 4.11	RAA434-1960A [70143]	02-'04 F250 & F350, SRW, 4 wheel ABS, 3.73
RAA434-1351J [77623]	1999 F250 & F350, SRW, 4.30		

Ford D70

PART #	Description	PART #	Description
RAA435-116A [77715]	05-'07 E350, 3.55	RAA435-180-P [70570]	99-'07 E350, DRW, 4.11, posi
RAA435-116A-P [79305]	05-'07 E350, 3.55, posi	RAA435-2077A [70346]	00-'03 E450, 4.10
RAA435-116B [73915]	05-'07 E350, 3.73	RAA435-2077A-P [75922]	00-'03 E450, 4.10, posi
RAA435-116B-P [79140]	05-'07 E350, 3.73, posi	RAA435-2077B [70822]	00-'03 E450, 4.56
RAA435-116C [74939]	05-'07 E350, SRW, 4.11	RAA435-2077B-P [70764]	00-'03 E450, 4.56, posi
RAA435-116C-P [78878]	05-'07 E350, SRW, 4.11, posi	RAA435-250 [72532]	09-'13 E350, DRW, 4.11
RAA435-177A [72162]	2008 E350, SRW, 3.54	RAA435-250-P [78071]	09-'13 E350, DRW, 4.11, posi
RAA435-177A-P [73550]	2008 E350, SRW, 3.54, posi	RAA435-251A [72129]	09-'10 E350, SRW, full float, 3.55
RAA435-177B [73541]	2008 E350, SRW, 3.73	RAA435-251A-P [77938]	09-'10 E350, SRW, full float, 3.55, posi
RAA435-177B-P [72764]	2008 E350, SRW, 3.73, posi	RAA435-251B [73911]	09-'10 E350, SRW, full float, 3.73
RAA435-177C [78561]	2008 E350, SRW, 4.11	RAA435-251B-P [76049]	09-'10 E350, SRW, full float, 3.73, posi
RAA435-177C-P [75456]	2008 E350, SRW, 4.11, posi	RAA435-251C [77392]	09-'10 E350, SRW, full float, 4.11
RAA435-178 [73703]	2008 E350, DRW, 4.11	RAA435-251C-P [76747]	09-'10 E350, SRW, full float, 4.11, posi
RAA435-178-P [71170]	2008 E350, DRW, 4.11, posi		
RAA435-180 [70866]	99-'07 E350, DRW, 4.11		

Ford D70U

PART #	Description	PART #	Description
RAA435-1695 [73296]	92-'98 E350, DRW	RAA435-1695-P [71645]	92-'98 E350, DRW, posi

Ford D80

AXLE ASSEMBLIES

PART #	Description	PART #	Description
RAA435-161A [75259]	08-'12 F350, DRW, non-chassis cab, 3.73	RAA435-204D-P [73950]	08-'12 F350, DRW, cab chassis, 3.73, posi
RAA435-161A-P [79060]	08-'12 F350, DRW, non-chassis cab, 3.73, posi	RAA435-204E [76629]	08-'12 F350, DRW, cab chassis, 4.11
RAA435-161B [74471]	08-'12 F350, DRW, non-chassis cab, 4.11	RAA435-204E-P [70171]	08-'12 F350, DRW, cab chassis, 4.11, posi
RAA435-161B-P [78325]	08-'12 F350, DRW, non-chassis cab, 4.11, posi	RAA435-204F [70394]	08-'12 F350, DRW, cab chassis, 4.30
RAA435-161C [71902]	08-'12 F350, DRW, non-chassis cab, 4.30	RAA435-204F-P [74281]	08-'12 F350, DRW, cab chassis, 4.30, posi
RAA435-161C-P [70783]	08-'12 F350, DRW, non-chassis cab, 4.30, posi	RAA435-204G [79347]	13-'14 F350, DRW, cab chassis, 3.73
RAA435-161D [75966]	08-'10 F350 5.4L, DRW, non-cab chassis, 4.11	RAA435-204G-P [76822]	13-'14 F350, DRW, cab chassis, 3.73, posi
RAA435-161D-P [72091]	08-'10 F350 5.4L, DRW, non-cab chassis, 4.11, posi	RAA435-204H [74502]	13-'14 F350, DRW, cab chassis, 4.11
RAA435-161E [72209]	08-'10 F350 5.4L, DRW, non-cab chassis, 3.73	RAA435-204H-P [70640]	13-'14 F350, DRW, cab chassis, 4.11, posi
RAA435-161E-P [77501]	08-'10 F350 5.4L, DRW, non-cab chassis, 3.73, posi	RAA435-204J [77124]	13-'14 F350, DRW, cab chassis, 4.30
RAA435-161F [78743]	13-'16 F350, DRW, non-chassis cab, 3.73	RAA435-204J-P [74381]	13-'14 F350, DRW, cab chassis, 4.30, posi
RAA435-161F-P [79241]	13-'16 F350, DRW, non-chassis cab, 3.73, posi	RAA435-2055A [74268]	99-'01 E450, DRW, 4.11
RAA435-161G [72451]	13-'16 F350, DRW, non-chassis cab, 4.30	RAA435-2055A-P [74094]	99-'01 E450, DRW, 4.11, posi
RAA435-161G-P [73027]	13-'16 F350, DRW, non-chassis cab, 4.30, posi	RAA435-2055B [74405]	1999 E450, DRW, 4.63
RAA435-1818A [76123]	88-'89 F450, DRW, non-ABS, 4.63	RAA435-2055B-P [76645]	1999 E450, DRW, 4.63, posi
RAA435-1818A-P [75889]	88-'89 F450, DRW, non-ABS, 4.63, posi	RAA435-2057A [78116]	99-'01 F550, DRW, 4.88
RAA435-1818B [77866]	90-'91 F450, DRW, ABS, 4.63	RAA435-2057A-P [79063]	99-'01 F550, DRW, 4.88, posi
RAA435-1818B-P [78570]	90-'91 F450, DRW, ABS, 4.63, posi	RAA435-2057B [74629]	99-'01 F550, DRW, 5.38
RAA435-1818C [75306]	92-'97 F450, DRW, ABS, 4.63	RAA435-2057B-P [78850]	99-'01 F550, DRW, 5.38, posi
RAA435-1818C-P [75683]	92-'97 F450, DRW, ABS, 4.63, posi	RAA435-2060A [75086]	00-'03 E450, DRW, 4.11
RAA435-1818D [74542]	88-'89 F450, DRW, non-ABS, 5.13	RAA435-2060A-P [71082]	00-'03 E450, DRW, 4.11, posi
RAA435-1818D-P [71691]	88-'89 F450, DRW, non-ABS, 5.13, posi	RAA435-2060B [77965]	00-'03 E450, DRW, 4.63
RAA435-1818E [78032]	90-'91 F450, DRW, ABS, 5.13	RAA435-2060B-P [75769]	00-'03 E450, DRW, 4.63, posi
RAA435-1818E-P [76725]	90-'91 F450, DRW, ABS, 5.13, posi	RAA435-2067A [72671]	2000 F450, DRW, 4.88
RAA435-1818F [75291]	92-'97 F450, DRW, ABS, 5.13	RAA435-2067A-P [77366]	2000 F450, DRW, 4.88, posi
RAA435-1818F-P [75781]	92-'97 F450, DRW, ABS, 5.13, posi	RAA435-2067B [76534]	2000 F450, 5.38
RAA435-1887 [75425]	96-'01 E450, 4.63	RAA435-2067B-P [75092]	2000 F450, 5.38, posi
RAA435-1887-P [72163]	96-'01 E450, 4.63, posi	RAA435-2067C [70547]	2000 F450, 4.30
RAA435-1987A [73526]	99-'00 F350, DRW, 3.73	RAA435-2067C-P [79636]	2000 F450, 4.30, posi
RAA435-1987A-P [70335]	99-'00 F350, DRW, 3.73	RAA435-2067D [75368]	2001 F450 & F550, DRW, 4.88
RAA435-1987B [72135]	99-'00 F350, DRW, 4.11	RAA435-2067D-P [73351]	2001 F450 & F550, DRW, 4.88, posi
RAA435-1987B-P [70705]	99-'00 F350, DRW, 4.11, posi	RAA435-2067E [79402]	2001 F450 & F550, DRW, 5.38
RAA435-1987C [75021]	99-'00 F350, DRW, 4.30	RAA435-2067E-P [76956]	2001 F450 & F550, DRW, 5.38, posi
RAA435-1987C-P [70736]	99-'00 F350, DRW, 4.30, posi	RAA435-2067F [73486]	02-'03 F450, 4.30
RAA435-1988A [71803]	99-'00 F350, DRW, 3.73	RAA435-2067F-P [77903]	02-'03 F450, 4.30, posi
RAA435-1988A-P [77060]	99-'00 F350, DRW, 3.73, posi	RAA435-2067G [77340]	02-'03 F450, 4.88
RAA435-1988B [72535]	99-'00 F350, DRW, 4.11	RAA435-2067G-P [70134]	02-'03 F450, 4.88, posi
RAA435-1988B-P [75707]	99-'00 F350, DRW, 4.11, posi	RAA435-2067H [73779]	00-'03 F450, 5.38
RAA435-1988C [74493]	99-'00 F350, DRW, 4.30	RAA435-2067H-P [77405]	00-'03 F450, 5.38, posi
RAA435-1988C-P [71988]	99-'00 F350, DRW, 4.30, posi	RAA435-2125A [78921]	2000 F350, DRW, cab chassis, 4.11
RAA435-1989 [77061]	99-'00 F350, DRW, 4.11	RAA435-2125A-P [77890]	2000 F350, DRW, cab chassis, 4.11, posi
RAA435-1989-P [73343]	99-'00 F350, DRW, 4.11, posi	RAA435-2125B [79723]	01-'04 F350, DRW, cab chassis, 4.11
RAA435-1990A [76720]	99-'00 F450, DRW, 4.88	RAA435-2125B-P [72515]	01-'04 F350, DRW, cab chassis, 4.11, posi
RAA435-1990A-P [74618]	99-'00 F450, DRW, 4.88, posi	RAA435-2126A [72762]	00-'04 F350, DRW, 3.73
RAA435-1990B [78023]	99-'00 F450 & F550, DRW, 5.38	RAA435-2126A-P [77847]	00-'04 F350, DRW, 3.73, posi
RAA435-1990B-P [72360]	99-'00 F450 & F550, DRW, 5.38, posi	RAA435-2126B [79002]	00-'04 F350, DRW, 4.11
RAA435-1991 [70821]	99-'01 F550, DRW, 5.38	RAA435-2126B-P [77671]	00-'04 F350, DRW, 4.11, posi
RAA435-1991-P [72441]	99-'01 F550, DRW, 5.38, posi	RAA435-2126C [75513]	00-'04 F350, DRW, 4.30
RAA435-2021G-P [73113]	2000 F150, drum brake, 3.55, posi	RAA435-2126C-P [75087]	00-'04 F350, DRW, 4.30, posi
RAA435-2045E-P [78378]	00-'01 F350, SRW, 3.73, posi	RAA435-2128A [78648]	2001 F350, DRW, 5.38
RAA435-2047A [75100]	99-'00 F650, DRW, 3.73	RAA435-2128A-P [78574]	2001 F350, DRW, 5.38, posi
RAA435-2047A-P [70930]	99-'00 F650, DRW, 3.73, posi	RAA435-2128B [70379]	01-'03 F550, 5.28B
RAA435-2047B [75588]	99-'00 F650, DRW, 4.11	RAA435-2128B-P [76009]	01-'03 F550, 5.38, posi
RAA435-2047B-P [75502]	99-'00 F650, DRW, 4.11, posi	RAA435-231A [78274]	04-'06 F350, DRW, cab chassis, 3.73
RAA435-2047C [79681]	99-'00 F650, DRW, 4.30	RAA435-231A-P [71465]	04-'06 F350, DRW, cab chassis, 3.73, posi
RAA435-2047C-P [70789]	99-'00 F650, DRW, 4.30, posi	RAA435-231B [71143]	04-'06 F350, DRW, cab chassis, 4.11
RAA435-2048A [75052]	00-'04 F350, DRW, 3.73	RAA435-231B-P [77251]	04-'06 F350, DRW, cab chassis, 4.11, posi
RAA435-2048A-P [74419]	00-'04 F350, DRW, 3.73, posi	RAA435-231C [70079]	04-'06 F350, DRW, cab chassis, 4.30
RAA435-2048B [72781]	00-'04 F350, DRW, 4.11	RAA435-231C-P [70672]	04-'06 F350, DRW, cab chassis, 4.30, posi
RAA435-2048B-P [74589]	00-'04 F350, DRW, 4.11, posi	RAA435-232A [76924]	06-'07 F350, DRW, chassis cab, wide axle, 3.73
RAA435-2048C [79042]	00-'04 F350, DRW, 4.30	RAA435-232A-P [73786]	06-'07 F350, DRW, chassis cab, wide axle, 4.11
RAA435-2048C-P [77611]	00-'04 F350, DRW, 4.30, posi	RAA435-232B [70336]	06-'07 F350, 4.10
RAA435-204A [71104]	08-'10 F350, DRW, cab chassis, 3.73	RAA435-232B-P [73772]	06-'07 F350, cab chassis, wide axle, 4.11, posi
RAA435-204A-P [71586]	08-'10 F350, DRW, cab chassis, 3.73, posi	RAA435-233A [73261]	06-'07 F350, cab chassis, 3.73
RAA435-204B [79453]	08-'10 F350, DRW, cab chassis, 4.11	RAA435-233A-P [73611]	06-'07 F350, cab chassis, 3.73, posi
RAA435-204B-P [73210]	08-'10 F350, DRW, cab chassis, 4.11, posi	RAA435-233B [79134]	06-'07 F350, cab chassis, 4.11
RAA435-204C [72591]	08-'10 F350, DRW, cab chassis, 4.30	RAA435-233B-P [73758]	06-'07 F350, cab chassis, 4.11, posi
RAA435-204C-P [74687]	08-'10 F350, DRW, cab chassis, 4.30, posi		
RAA435-204D [77426]	08-'12 F350, DRW, cab chassis, 3.73		



Ford S135 & S150

PART #	Description	PART #	Description
RAA435-2059A [78519]	99-'01 F550, DRW, 4.88	RAA435-2059C [73972]	99-'01 F550, DRW, 4.88
RAA435-2059A-P [79686]	99-'01 F550, DRW, 4.88, posi	RAA435-2059C-P [74875]	99-'01 F550, DRW, 4.88, posi
RAA435-2059B [74659]	99-'01 F550, DRW, 5.38	RAA435-2059D [70133]	99-'01 F550, DRW, 5.38
RAA435-2059B-P [76785]	99-'01 F550, DRW, 5.38, posi	RAA435-2059D-P [76294]	99-'01 F550, DRW, 5.38, posi

Ford M35IFS

PART #	Description	PART #	Description
RAA440-1288A [73595]	91-'94 Explorer, 3.27	RAA440-1348C [76125]	96-'05 Ranger & Explorer, 3.73
RAA440-1288B [74331]	91-'94 Explorer, 3.55	RAA440-1348D [75626]	96-'05 Ranger & Explorer, 4.11
RAA440-1288C [75711]	91-'94 Explorer, 3.73	RAA440-1349A [76647]	95-'96 Explorer, vacuum assist, 3.27
RAA440-1288D [75230]	91-'97 Explorer, 4.10	RAA440-1349B [79297]	95-'96 Explorer, vacuum assist, 3.55
RAA440-1348A [77858]	96-'01 Explorer, 3.27	RAA440-1349C [75495]	95-'96 Explorer, vacuum assist, 3.73
RAA440-1348B [73528]	96-'01 Explorer, 3.55	RAA440-1349D [73533]	95-'96 Explorer, vacuum assist, 4.11

Ford RDU

PART #	Description	PART #	Description
RAA440-1443 [71144]	05-'07 Escape, 2.93	RAA440-189B [71533]	01-'04 Escape, dual sensor, 2.93
RAA440-189A [72559]	01-'04 Escape, single sensor, 2.93		

Ford 7.5"

PART #	Description	PART #	Description
RAA435-1537B [73707]	89-'97 Aerostar, ABS	RAA435-1930A [74573]	1998 Ranger, 9" drum brakes, 3.73
RAA435-1537B-P [74802]	89-'97 Aerostar, ABS, posi	RAA435-1930A-P [70955]	1998 Ranger, 9" drum brakes, 3.73, posi
RAA435-1698A [77902]	94-'97 Ranger, 9" brakes, 3.08	RAA435-1930B [72184]	1998 Ranger, 10" drum brakes, 3.73
RAA435-1698A-P [74490]	94-'97 Ranger, 9" brakes, 3.08, posi	RAA435-1930B-P [73835]	1998 Ranger, 10" drum brakes, 3.73, posi
RAA435-1698B [77221]	94-'97 Ranger, 10" brakes, 3.08	RAA435-1930C [72628]	99-'05 Ranger, 9" drum brakes, 3.73
RAA435-1698B-P [75321]	94-'97 Ranger, 10" brakes, 3.08, posi	RAA435-1930C-P [72199]	99-'05 Ranger, 9" drum brakes, 3.73, posi
RAA435-1698C [70961]	94-'97 Ranger, 9" brakes, 3.27	RAA435-1930D [78788]	99-'05 Ranger, 10" drum brakes, 3.73
RAA435-1698C-P [79470]	94-'97 Ranger, 9" brakes, 3.27, posi	RAA435-1930D-P [77786]	99-'05 Ranger, 10" drum brakes, 3.73, posi
RAA435-1698D [77521]	94-'97 Ranger, 9" brakes, 3.45	RAA435-1930E [71636]	1998 Ranger, 9" drum brakes, 4.11
RAA435-1698D-P [72850]	94-'97 Ranger, 9" brakes, 3.45, posi	RAA435-1930E-P [76975]	1998 Ranger, 9" drum brakes, 4.11, posi
RAA435-1698E [76139]	94-'97 Ranger, 9" brakes, 3.73	RAA435-1930F [72964]	1998 Ranger, 10" drum brakes, 4.11
RAA435-1698E-P [78046]	94-'97 Ranger, 9" brakes, 3.73, posi	RAA435-1930F-P [75312]	1998 Ranger, 10" drum brakes, 4.11, posi
RAA435-1698F [70495]	94-'97 Ranger, 9" brakes, 4.11	RAA435-1930G [79217]	99-'05 Ranger, 9" drum brakes, 4.11
RAA435-1698F-P [77766]	94-'97 Ranger, 9" brakes, 4.11, posi	RAA435-1930G-P [71381]	99-'05 Ranger, 9" drum brakes, 4.11, posi
RAA435-1698G [78956]	94-'97 Ranger, 10" brakes, 3.27	RAA435-1930H [70854]	99-'05 Ranger, 10" drum brakes, 4.11
RAA435-1698G-P [70565]	94-'97 Ranger, 10" brakes, 3.27, posi	RAA435-1930H-P [76476]	99-'05 Ranger, 10" drum brakes, 4.11, posi
RAA435-1698H [71830]	94-'97 Ranger, 10" brakes, 3.45	RAA435-1930J [74570]	1998 Ranger, 9" drum brakes, 3.45
RAA435-1698H-P [72597]	94-'97 Ranger, 10" brakes, 3.45, posi	RAA435-1930J-P [77867]	1998 Ranger, 9" drum brakes, 3.45, posi
RAA435-1698J [73958]	94-'97 Ranger, 10" brakes, 3.73	RAA435-1961A [70711]	99-'02 Mustang, ABS, 3.23
RAA435-1698J-P [73890]	94-'97 Ranger, 10" brakes, 3.73, posi	RAA435-1961A-P [70363]	99-'02 Mustang, ABS, 3.23, posi
RAA435-1698K [78357]	94-'97 Ranger, 10" brakes, 4.11	RAA435-1961B [79487]	99-'02 Mustang, non-ABS, 3.23
RAA435-1698K-P [72386]	94-'97 Ranger, 10" brakes, 4.11, posi	RAA435-1961B-P [78442]	99-'02 Mustang, non-ABS, 3.23, posi
RAA435-1814A [75826]	94-'98 Mustang, non-ABS	RAA435-1961C [73559]	99-'02 Mustang, ABS, 3.27
RAA435-1814A-P [76402]	94-'98 Mustang, non-ABS, posi	RAA435-1961C-P [71308]	99-'02 Mustang, ABS, 3.27, posi
RAA435-1814B [73525]	94-'98 Mustang, ABS	RAA435-1961D [71309]	99-'02 Mustang, ABS, 3.27
RAA435-1814B-P [79398]	94-'98 Mustang, ABS, posi	RAA435-1961D-P [73903]	99-'02 Mustang, ABS, 3.27, posi

Ford 8.0IRS

PART #	Description
RAA440-1346B [73312]	00-'02 LS, 3.31

Ford 8.8"

PART #	Description	PART #	Description
RAA435-110A [76078]	07-'08 F150, 3.31	RAA435-1692E [70903]	97-'98 E150, 3.55
RAA435-110A-P [70553]	07-'08 F150, 3.31, posi	RAA435-1692E-P [77711]	97-'98 E150, 3.55, posi
RAA435-110B [70474]	07-'08 F150, 3.55	RAA435-1692F [73436]	92-'96 E150, 2.73
RAA435-110B-P [75337]	07-'08 F150, 3.55, posi	RAA435-1692F-P [72074]	92-'96 E150, 2.73, posi
RAA435-110C [77059]	07-'08 F150, 3.73	RAA435-1699A [77823]	94-'97 Ranger, 10" brakes, 3.08
RAA435-110C-P [71756]	07-'08 F150, 3.73, posi	RAA435-1699A-P [77638]	94-'97 Ranger, 10" brakes, 3.08, posi
RAA435-113A [76516]	04-'06 E150, 3.55	RAA435-1699B [78281]	94-'97 Ranger, 9" brakes, 3.08
RAA435-113A-P [72970]	04-'06 E150, 3.55, posi	RAA435-1699B-P [71298]	94-'97 Ranger, 9" brakes, 3.08, posi
RAA435-113B [70510]	04-'06 E150, 3.73	RAA435-1699C [70820]	94-'97 Ranger, 9" brakes, 3.27
RAA435-113B-P [78766]	04-'06 E150, 3.73, posi	RAA435-1699C-P [76060]	94-'97 Ranger, 9" brakes, 3.27, posi
RAA435-113C [75501]	04-'06 E150, 4.11	RAA435-1699D [70093]	94-'97 Ranger, 9" brakes, 3.45
RAA435-113C-P [78147]	04-'06 E150, 4.11, posi	RAA435-1699D-P [77682]	94-'97 Ranger, 9" brakes, 3.45, posi
RAA435-1386 [76048]	03-'04 Mustang, w/o cross member, 3.55	RAA435-1699E [77275]	94-'97 Ranger, 9" brakes, 3.73
RAA435-1386-P [75944]	03-'04 Mustang, w/o cross member, 3.55, posi	RAA435-1699E-P [78639]	94-'97 Ranger, 9" brakes, 3.73, posi
RAA435-1466 [79163]	86-'93 Mustang, drum brakes, 3.08	RAA435-1699F [72810]	94-'97 Ranger, 9" brakes, 4.11
RAA435-1466A [70482]	86-'93 Mustang, drum brakes, 3.27	RAA435-1699F-P [71253]	94-'97 Ranger, 9" brakes, 4.11, posi
RAA435-1466A-P [74302]	86-'93 Mustang, drum brakes, 3.27, posi	RAA435-1699G [78767]	94-'97 Ranger, 10" brakes, 3.27
RAA435-1466-P [71500]	86-'93 Mustang, drum brakes, 3.08, posi	RAA435-1699G-P [79112]	94-'97 Ranger, 10" brakes, 3.27, posi
RAA435-1492A [77756]	87-'96 F150, ABS, 2.73	RAA435-1699H [76474]	94-'97 Ranger, 10" brakes, 3.55
RAA435-1492A-P [72618]	87-'96 F150, ABS, 2.73, posi	RAA435-1699H-P [73099]	94-'97 Ranger, 10" brakes, 3.55, posi
RAA435-1492B [74264]	87-'96 Bronco & F150, ABS, 3.08	RAA435-1699J [77386]	94-'97 Ranger, 10" brakes, 3.73
RAA435-1492B-P [76122]	87-'96 Bronco & F150, ABS, 3.08, posi	RAA435-1699J-P [76857]	94-'97 Ranger, 10" brakes, 3.73, posi
RAA435-1492C [75643]	87-'96 Bronco & F150, ABS, 3.31	RAA435-1699K [73865]	94-'97 Ranger, 10" brakes, 4.11
RAA435-1492C-P [77494]	87-'96 Bronco & F150, ABS, 3.31, posi	RAA435-1699K-P [77895]	94-'97 Ranger, 10" brakes, 4.11, posi
RAA435-1492D [78205]	87-'96 Bronco & F150, ABS, 3.55	RAA435-1815 [79503]	94-'98 Mustang Cobra, ABS, 3.27
RAA435-1492D-P [77220]	87-'96 Bronco & F150, ABS, 3.55, posi	RAA435-1815-P [73327]	94-'98 Mustang Cobra, ABS, 3.27, posi
RAA435-1492E [74634]	87-'92 Bronco & F150, ABS, 4.11	RAA435-1816A [76365]	94-'98 Mustang, non-ABS, 3.27
RAA435-1492E-P [72538]	87-'92 Bronco & F150, ABS, 4.11, posi	RAA435-1816A-P [75435]	94-'98 Mustang, non-ABS, 3.27, posi
RAA435-1492F [73739]	87-'96 F150, non-ABS, Canadian, 2.73	RAA435-1816B [77178]	94-'98 Mustang, ABS, 3.27
RAA435-1492F-P [75177]	87-'96 F150, non-ABS, Canadian, 2.73, posi	RAA435-1816B-P [76105]	94-'98 Mustang, ABS, 3.27, posi
RAA435-1492G [76343]	87-'96 F150, non-ABS, Canadian, 3.08	RAA435-1831A [78290]	95-'01 Explorer, 3.27
RAA435-1492G-P [73931]	87-'96 F150, non-ABS, Canadian, 3.08, posi	RAA435-1831A-P [78868]	95-'01 Explorer, 3.27, posi
RAA435-1492H [77681]	93-'96 F150, non-ABS, Canadian, 3.31	RAA435-1831C [75562]	1995 Explorer, 3.55
RAA435-1492H-P [72982]	93-'96 F150, non-ABS, Canadian, 3.31, posi	RAA435-1831C-P [71009]	1995 Explorer, 3.55, posi
RAA435-1492J [75548]	87-'96 Bronco & F150, non-ABS, Canadian, 3.55	RAA435-1831D [77845]	95-'01 Explorer, 3.73
RAA435-1492J-P [73084]	87-'96 Bronco & F150, non-ABS, Canadian, 3.55, posi	RAA435-1831D-P [77028]	95-'01 Explorer, 3.73, posi
RAA435-1492K [72052]	87-'96 Bronco & F150, non-ABS, Canadian, 4.11	RAA435-1831E [74082]	95-'01 Explorer, 4.11
RAA435-1492K-P [71556]	87-'96 Bronco & F150, non-ABS, Canadian, 4.11, posi	RAA435-1831E-P [72756]	95-'01 Explorer, 4.11, posi
RAA435-1556B [73732]	91-'94 Explorer & Navajo, ABS, 3.08	RAA435-1831H [73408]	01-'02 Explorer Sport Trac, 4 door, 3.73
RAA435-1556B-P [71331]	91-'94 Explorer & Navajo, ABS, 3.08, posi	RAA435-1831H-P [78412]	01-'02 Explorer Sport Trac, 4 door, 3.73, posi
RAA435-1556G [72612]	91-'94 Explorer & Navajo, ABS, 3.27	RAA435-1831J [71886]	01-'02 Explorer Sport Trac, 4 door, 4.11
RAA435-1556G-P [77345]	91-'94 Explorer & Navajo, ABS, 3.27, posi	RAA435-1831J-P [75195]	01-'02 Explorer Sport Trac, 4 door, 4.11, posi
RAA435-1556H [78883]	91-'94 Explorer & Navajo, ABS, 3.55	RAA435-1832A [72780]	1995 Crown Victoria, ABS
RAA435-1556H-P [71236]	91-'94 Explorer & Navajo, ABS, 3.55, posi	RAA435-1832A-P [73328]	1995 Crown Victoria, ABS, posi
RAA435-1556J [76145]	91-'94 Explorer & Navajo, ABS, 3.73	RAA435-1832B [71429]	1996 Crown Victoria, ABS
RAA435-1556J-P [73342]	91-'94 Explorer & Navajo, ABS, 3.73, posi	RAA435-1832B-P [76288]	1996 Crown Victoria, ABS, posi
RAA435-1556K [76923]	91-'94 Explorer & Navajo, ABS, 4.11	RAA435-1832C [78596]	1997 Crown Victoria, ABS
RAA435-1556K-P [79222]	91-'94 Explorer & Navajo, ABS, 4.11, posi	RAA435-1832C-P [72734]	1997 Crown Victoria, ABS, posi
RAA435-1559A [70972]	90-'91 Crown Victoria, 10" drum brakes, 3.08	RAA435-1832D [73615]	1995 Crown Victoria Police, ABS
RAA435-1559A-P [74461]	90-'91 Crown Victoria, 10" drum brakes, 3.08, posi	RAA435-1832D-P [70773]	1995 Crown Victoria Police, ABS, posi
RAA435-1559B [75868]	90-'91 Crown Victoria, 11" drum brakes, 3.08	RAA435-1832E [72237]	1996 Crown Victoria Police, ABS
RAA435-1559B-P [76852]	90-'91 Crown Victoria, 11" drum brakes, 3.08, posi	RAA435-1832E-P [76224]	1996 Crown Victoria Police, ABS, posi
RAA435-1559C [79230]	1991 Crown Victoria, non-ABS, disc brakes, posi	RAA435-1832F [75725]	1997 Crown Victoria Police, ABS
RAA435-1559C-P [70816]	1991 Crown Victoria, non-ABS, disc brakes, posi	RAA435-1832F-P [71070]	1997 Crown Victoria Police, ABS, posi
RAA435-1559D [72953]	1991 Crown Victoria, ABS, disc brakes	RAA435-1885A [71463]	96-'01 Explorer & Mountaineer, 3.55
RAA435-1559D-P [74868]	1991 Crown Victoria, ABS, disc brakes, posi	RAA435-1885A-P [74483]	96-'01 Explorer & Mountaineer, 3.55, posi
RAA435-1571 [74110]	92-'94 Crown Victoria, ABS, disc brakes, 3.08	RAA435-1885B [72500]	96-'01 Explorer & Mountaineer, 3.73
RAA435-1571-P [71652]	92-'94 Crown Victoria, ABS, disc brakes, 3.08, posi	RAA435-1885B-P [76064]	96-'01 Explorer & Mountaineer, 3.73, posi
RAA435-1691 [71515]	93-'95 F150 Lightning, w/ locker, 4.10	RAA435-1885C [76111]	96-'01 Explorer & Mountaineer, 4.11
RAA435-1692A [71516]	92-'96 E150, 3.31	RAA435-1885C-P [79542]	96-'01 Explorer & Mountaineer, 4.11, posi
RAA435-1692A-P [72779]	92-'96 E150, 3.31, posi	RAA435-1893C [73800]	95-'97 Town Car
RAA435-1692B [78969]	92-'96 E150, 3.55	RAA435-1893C-P [77661]	95-'97 Town Car, posi
RAA435-1692B-P [71760]	92-'96 E150, 3.55, posi	RAA435-1901 [79096]	92-'94 Crown Victoria, ABS, drum brake
RAA435-1692C [76735]	92-'96 E150, 3.08	RAA435-1901-P [72894]	92-'94 Crown Victoria, ABS, drum brake, 3.31
RAA435-1692C-P [74341]	92-'96 E150, 3.08, posi	RAA435-1905B [78404]	97-'00 Expedition, 3.55
RAA435-1692D [76871]	97-'98 E150, 3.31	RAA435-1905B-P [77162]	97-'00 Expedition, 3.31, posi
RAA435-1692D-P [71865]	97-'98 E150, 3.31, posi	RAA435-1905C [76146]	97-'00 Expedition, 3.55
		RAA435-1905C-P [75675]	97-'00 Expedition, 3.55, posi
		RAA435-1916 [79290]	98-'02 Town Car, 3.55

Continued on next page



Ford 8.8" (Cont.)

PART #	Description	PART #	Description
RAA435-1916-P [73031]	98-'02 Town Car, 3.55, posi	RAA435-2026B [72590]	2000 F150, rear disc, 3.08
RAA435-1917A [76324]	98-'00 Crown Victoria	RAA435-2026B-P [78554]	2000 F150, rear disc, 3.08, posi
RAA435-1917A-P [78468]	98-'00 Crown Victoria, posi	RAA435-2026C [72116]	2000 F150, rear drum, 3.31
RAA435-1917B [75536]	98-'00 Crown Victoria, non-ABS	RAA435-2026C-P [70017]	2000 F150, rear drum, 3.31, posi
RAA435-1917B-P [75782]	98-'00 Crown Victoria, non-ABS, posi	RAA435-2026D [75973]	2000 F150, rear disc, 3.31
RAA435-1917C [74161]	01-'02 Crown Victoria, ABS, w/ handling package	RAA435-2026D-P [74365]	2000 F150, rear disc, 3.31, posi
RAA435-1917C-P [76759]	01-'02 Crown Victoria, ABS, w/ handling package, posi	RAA435-2026E [72769]	2000 F150, rear drum, 3.55
RAA435-1917D [74598]	01-'02 Crown Victoria, ABS, w/o handling package	RAA435-2026E-P [78914]	2000 F150, rear drum, 3.55, posi
RAA435-1917D-P [70775]	01-'02 Crown Victoria, ABS, w/o handling package, posi	RAA435-2026F [76946]	2000 F150, rear disc, 3.55
RAA435-1917E [72042]	01-'02 Crown Victoria, non-ABS, w/ handling package	RAA435-2026F-P [73449]	2000 F150, rear disc, 3.55, posi
RAA435-1917E-P [79368]	01-'02 Crown Victoria, non-ABS, w/ handling package, posi	RAA435-2026G [74861]	2000 F150, rear drum, 4.11
RAA435-1917F [71315]	01-'02 Crown Victoria, non-ABS, w/o handling package	RAA435-2026G-P [75448]	2000 F150, rear drum, 4.11, posi
RAA435-1917F-P [76314]	01-'02 Crown Victoria, non-ABS, w/o handling package, posi	RAA435-2026H [79013]	2000 F150, rear disc, 4.11
RAA435-1918A [72926]	98-'00 Crown Victoria Police, ABS, 3.55	RAA435-2026H-P [72393]	2000 F150, rear disc, 4.11, posi
RAA435-1918A-P [71899]	98-'00 Crown Victoria Police, ABS, 3.55, posi	RAA435-2027A [74986]	00-'02 Expedition, 14mm studs, 3.31
RAA435-1918B [74292]	98-'00 Crown Victoria Police, non-ABS, 3.55	RAA435-2027A-P [73480]	00-'02 Expedition, 14mm studs, 3.31, posi
RAA435-1918B-P [77470]	98-'00 Crown Victoria Police, non-ABS, 3.55, posi	RAA435-2027B [72695]	00-'02 Expedition, 14mm studs, 3.55
RAA435-1918C [75676]	01-'02 Crown Victoria Police, ABS, 3.27	RAA435-2027B-P [72931]	00-'02 Expedition, 14mm studs, 3.55, posi
RAA435-1918C-P [71703]	01-'02 Crown Victoria Police, ABS, 3.27, posi	RAA435-2028A [76736]	2000 F150, rear drum, 4.11
RAA435-1931A [74908]	1998 Ranger, 9" drum brakes, 3.55	RAA435-2028A-P [72790]	2000 F150, rear drum, 4.11, posi
RAA435-1931A-P [74422]	1998 Ranger, 9" drum brakes, 3.55, posi	RAA435-2028B [79307]	2000 F150, rear disc, 4.11
RAA435-1931B [70978]	1998 Ranger, 10" drum brakes, 4.11	RAA435-2028B-P [74428]	2000 F150, rear disc, 4.11, posi
RAA435-1931B-P [75847]	1998 Ranger, 10" drum brakes, 4.11, posi	RAA435-2034A [74436]	97-'99 F150, rear drum, 3.08
RAA435-1931C [79633]	99-'05 Ranger, 9" drum brakes, 3.55	RAA435-2034A-P [75480]	97-'99 F150, rear drum, 3.08, posi
RAA435-1931C-P [79148]	99-'05 Ranger, 9" drum brakes, 3.55, posi	RAA435-2034B [76159]	97-'99 F150, rear disc, 3.08
RAA435-1931D [79373]	99-'05 Ranger, 10" drum brakes, 4.11	RAA435-2034B-P [75137]	97-'99 F150, rear disc, 3.08, posi
RAA435-1931D-P [77536]	99-'05 Ranger, 10" drum brakes, 4.11, posi	RAA435-2034C [73471]	97-'99 F150, rear drum, 3.55
RAA435-1931E [73248]	1998 Ranger, 9" drum brakes, 3.73	RAA435-2034C-P [73224]	97-'99 F150, rear drum, 3.55, posi
RAA435-1931E-P [74068]	1998 Ranger, 9" drum brakes, 3.73, posi	RAA435-2034D [74019]	97-'00 F150, rear disc, 3.55
RAA435-1931F [76670]	1998 Ranger, 10" drum brakes, 3.73	RAA435-2034D-P [77034]	97-'00 F150, rear disc, 3.55, posi
RAA435-1931F-P [71277]	1998 Ranger, 10" drum brakes, 3.73, posi	RAA435-2034E [70211]	97-'99 F150, rear drum, 3.31
RAA435-1931G [70409]	99-'05 Ranger, 9" drum brakes, 3.73	RAA435-2034E-P [76676]	97-'99 F150, rear drum, 3.31, posi
RAA435-1931G-P [79036]	99-'05 Ranger, 9" drum brakes, 3.73, posi	RAA435-2034F [79183]	97-'99 F150, rear disc, 3.31
RAA435-1931H [70249]	99-'05 Ranger, 10" drum brakes, 3.73	RAA435-2034F-P [76678]	97-'99 F150, rear disc, 3.31, posi
RAA435-1931H-P [74303]	99-'05 Ranger, 10" drum brakes, 3.73, posi	RAA435-2034G [75403]	97-'99 F150, rear drum, 4.11
RAA435-1931J [74568]	99-'05 Ranger, 9" drum brakes, 4.11	RAA435-2034G-P [76737]	97-'99 F150, rear drum, 4.11, posi
RAA435-1931J-P [72359]	99-'05 Ranger, 9" drum brakes, 4.11, posi	RAA435-2034H [75871]	97-'99 F150, rear disc, 4.11
RAA435-1931K [78377]	99-'05 Ranger, 10" drum brakes, 4.11	RAA435-2034H-P [79699]	97-'99 F150, rear disc, 4.11, posi
RAA435-1931K-P [70393]	99-'05 Ranger, 10" drum brakes, 4.11, posi	RAA435-2035 [77937]	1998 F150, rear drum, 3.73
RAA435-1931M [75658]	99-'05 Ranger, 10" drum brakes, 4.11, posi	RAA435-2035-P [75819]	1998 F150, rear drum, 3.73, posi
RAA435-1949A [79012]	04-'03 Ranger, 10" drum brakes, 4.11	RAA435-2036A [77283]	99-'00 F150, rear drum, 3.08
RAA435-1949A-P [75009]	04-'03 Ranger, 10" drum brakes, 4.11, posi	RAA435-2036A-P [77735]	99-'00 F150, rear drum, 3.08, posi
RAA435-1949B [70035]	98-'08 Ranger, 10" drum brakes, 4.56	RAA435-2036B [72480]	99-'00 F150, rear disc, 3.08
RAA435-1949B-P [77778]	98-'08 Ranger, 10" drum brakes, 4.56, posi	RAA435-2036B-P [74251]	99-'00 F150, rear disc, 3.08, posi
RAA435-1962A [73470]	99-'04 Mustang GT, ABS, 3.27	RAA435-2036C [78699]	99-'00 F150, rear drum, 3.31
RAA435-1962A-P [75479]	99-'04 Mustang GT, non-ABS, 3.27	RAA435-2036C-P [73157]	99-'00 F150, rear drum, 3.31, posi
RAA435-1962C [75595]	03-'04 Mustang GT, non-ABS, 3.27	RAA435-2036D [76517]	99-'00 F150, rear disc, 3.31
RAA435-1962C-P [75221]	03-'04 Mustang GT, non-ABS, 3.27, posi	RAA435-2036D-P [71061]	99-'00 F150, rear disc, 3.31, posi
RAA435-1962D [72078]	03-'04 Mustang Mach 1, ABS, 3.55	RAA435-2036E [70526]	99-'00 F150, rear drum, 3.55
RAA435-1962D-P [77292]	03-'04 Mustang Mach 1, ABS, 3.55, posi	RAA435-2036E-P [72718]	99-'00 F150, rear drum, 3.55, posi
RAA435-2025A [73988]	2000 F150, rear drum, 3.08	RAA435-2036F [76802]	99-'00 F150, rear disc, 3.55
RAA435-2025A-P [73594]	2000 F150, rear drum, 3.08, posi	RAA435-2036F-P [77138]	99-'00 F150, rear disc, 3.55, posi
RAA435-2025B [76584]	2000 F150, rear disc, 3.08	RAA435-2037A [76244]	99-'00 F150, rear drum, 3.08
RAA435-2025B-P [78291]	2000 F150, rear disc, 3.08, posi	RAA435-2037A-P [77197]	99-'00 F150, rear drum, 3.08, posi
RAA435-2025C [72965]	2000 F150, rear drum, 3.31	RAA435-2037B [70295]	99-'00 F150, rear disc, 3.08
RAA435-2025C-P [77880]	2000 F150, rear drum, 3.31, posi	RAA435-2037B-P [71879]	99-'00 F150, rear disc, 3.08, posi
RAA435-2025D [74418]	00-'04 F150, rear disc, 3.31	RAA435-2037C [78951]	99-'00 F150, rear drum, 3.31
RAA435-2025D-P [77552]	00-'04 F150, rear disc, 3.31, posi	RAA435-2037C-P [76272]	99-'00 F150, rear drum, 3.31, posi
RAA435-2025E [70915]	2000 F150, rear disc, 3.55	RAA435-2037D [72983]	99-'00 F150, rear disc, 3.31
RAA435-2025E-P [75015]	2000 F150, rear disc, 3.55, posi	RAA435-2037D-P [72464]	99-'00 F150, rear disc, 3.31, posi
RAA435-2025F [77105]	00-'04 F150, rear disc, 3.55	RAA435-2037E [70694]	99-'00 F150, rear drum, 3.55
RAA435-2025F-P [78172]	00-'04 F150, rear disc, 3.55, posi	RAA435-2037E-P [74170]	99-'00 F150, rear drum, 3.55, posi
RAA435-2026A [79452]	2000 F150, rear drum, 3.08	RAA435-2037F [74501]	99-'00 F150, rear disc, 3.55
RAA435-2026A-P [74639]	2000 F150, rear drum, 3.08, posi	RAA435-2037F-P [72629]	99-'00 F150, rear disc, 3.55, posi
		RAA435-2038A [73158]	2000 F150, rear drum, 3.08
		RAA435-2038A-P [72887]	2000 F150, rear drum, 3.08, posi
		RAA435-2038B [79022]	2000 F150, rear disc, 3.08
		RAA435-2038B-P [76260]	2000 F150, rear disc, 3.08, posi

Continued on next page

Ford 8.8" (Cont.)

PART #	Description	PART #	Description
RAA435-2038C [79529]	2000 F150, rear drum, 3.31	RAA435-2164C [72268]	03-'04 Crown Victoria, ABS, 3.55
RAA435-2038C-P [79709]	2000 F150, rear drum, 3.31, posi	RAA435-2164C-P [74750]	03-'04 Crown Victoria, ABS, 3.55, posi
RAA435-2038D [77029]	2000 F150, rear disc, 3.31	RAA435-2164D [76115]	03-'05 Town Car, ABS, 3.27
RAA435-2038D-P [70098]	2000 F150, rear disc, 3.31, posi	RAA435-2164D-P [77868]	03-'05 Town Car, ABS, 3.27, posi
RAA435-2038E [76219]	2000 F150, rear drum, 3.55	RAA435-2164E [76245]	03-'05 Town Car, ABS, 3.55
RAA435-2038E-P [77265]	2000 F150, rear drum, 3.55, posi	RAA435-2164E-P [77545]	03-'05 Town Car, ABS, 3.55, posi
RAA435-2038F [73619]	2000 F150, rear disc, 3.55	RAA435-2164F [70296]	2005 Crown Victoria, ABS, 3.55
RAA435-2038F-P [75512]	2000 F150, rear disc, 3.55, posi	RAA435-2164F-P [78190]	2005 Crown Victoria, ABS, 3.55, posi
RAA435-2050 [77852]	00-'02 E150, 3.55	RAA435-2165 [71430]	03-'11 Town Car limo, 3.55
RAA435-2050-P [76827]	00-'02 E150, 3.55, posi	RAA435-2165-P [78634]	03-'11 Town Car limo, 3.55, posi
RAA435-2074A [77423]	2000 F150, rear drum, 3.55	RAA435-2181A [73697]	02-'03 E150, drum brake, 3.55
RAA435-2074A-P [78690]	2000 F150, rear drum, 3.55, posi	RAA435-2181A-P [73021]	02-'03 E150, drum brake, 3.55, posi
RAA435-2074B [71165]	2000 F150, rear disc, 3.55	RAA435-2181B [73010]	02-'03 E150, disc brake, 3.55
RAA435-2074B-P [71287]	2000 F150, rear disc, 3.55, posi	RAA435-2181B-P [73059]	02-'03 E150, disc brake, 3.55, posi
RAA435-2074C [74619]	2000 F150, rear drum, 4.11	RAA435-2208A [75989]	04-'05 F150, disc brake, 3.31
RAA435-2074C-P [71166]	2000 F150, rear drum, 4.11, posi	RAA435-2208A-P [74980]	04-'05 F150, disc brake, 3.31, posi
RAA435-2074D [78098]	2000 F150, rear disc, 4.11	RAA435-2208B [79149]	04-'05 F150, disc brake, 3.55
RAA435-2074D-P [76651]	2000 F150, rear disc, 4.11, posi	RAA435-2208B-P [73975]	04-'05 F150, disc brake, 3.55, posi
RAA435-2076 [79544]	01-'02 E150, 3.55	RAA435-2208C [71984]	04-'05 F150, disc brake, 3.73
RAA435-2076-P [76249]	01-'02 E150, 3.55, posi	RAA435-2208C-P [71637]	04-'05 F150, disc brake, 3.73, posi
RAA435-2101A [71882]	83-'86 F150, 2.47	RAA435-2211A [78996]	03-'05 Explorer, 3.73
RAA435-2101A-P [73504]	83-'86 F150, 2.47, posi	RAA435-2211A-P [75220]	03-'05 Explorer, 3.73, posi
RAA435-2101B [76034]	83-'86 F150, 2.73	RAA435-2211B [72741]	03-'05 Explorer, 4.11
RAA435-2101B-P [70893]	83-'86 F150, 2.73, posi	RAA435-2211B-P [74609]	03-'05 Explorer, 4.11, posi
RAA435-2101C [74630]	83-'86 F150, 3.08	RAA435-2244A [76383]	05-'10 Mustang, ABS, 3.31
RAA435-2101C-P [72908]	83-'86 F150, 3.08, posi	RAA435-2244A-P [75957]	05-'10 Mustang, ABS, 3.31, posi
RAA435-2101D [71440]	83-'86 F150, 3.55	RAA435-2244B [72531]	05-'10 Mustang, ABS, 3.55
RAA435-2101D-P [71742]	83-'86 F150, 3.55, posi	RAA435-2244B-P [77383]	05-'10 Mustang, ABS, 3.55, posi
RAA435-2101E [70135]	83-'86 F150, 4.11	RAA435-2244C [73004]	05-'10 Mustang Shelby, 3.31
RAA435-2101E-P [72470]	83-'86 F150, 4.11, posi	RAA435-2244C-P [78754]	05-'10 Mustang Shelby, 3.31, posi
RAA435-210A [71194]	09-'13 F150, 3.55	RAA435-2244D [78932]	05-'10 Mustang, 3.73
RAA435-210A-P [76998]	09-'13 F150, 3.55, posi	RAA435-2244D-P [77485]	05-'10 Mustang, 3.73, posi
RAA435-210B [77172]	09-'13 F150, 3.73	RAA435-240A [78435]	10-'11 Ranger, rear disc, 3.55
RAA435-210B-P [71278]	09-'13 F150, 3.73, posi	RAA435-240A-P [73669]	10-'11 Ranger, rear disc, 3.55, posi
RAA435-210C [77594]	09-'13 F150, 3.31	RAA435-240B [74620]	10-'11 Ranger, rear disc, 3.73
RAA435-210C-P [70036]	09-'13 F150, 3.31, posi	RAA435-240B-P [71424]	10-'11 Ranger, rear disc, 3.73, posi
RAA435-210D [73757]	09-'14 F150, 3.55	RAA435-240C [75726]	10-'11 Ranger, rear disc, 4.11
RAA435-210D-P [73185]	09-'14 F150, 3.55, posi	RAA435-240C-P [70897]	10-'11 Ranger, rear disc, 4.11, posi
RAA435-210E [72932]	09-'14 F150, 3.73	RAA435-276C [70699]	11-'14 Mustang, 3.73
RAA435-210E-P [71894]	09-'14 F150, 3.73, posi	RAA435-276C-P [76431]	11-'14 Mustang, 3.73, posi
RAA435-210F [78910]	09-'14 F150, 3.31	RAA435-276D [76672]	11-'14 Mustang, 2.73
RAA435-210F-P [73937]	09-'14 F150, 3.31, posi	RAA435-276D-P [71249]	11-'14 Mustang, 2.73, posi
RAA435-2164A [74411]	03-'05 Crown Victoria, ABS, 2.73	RAA435-276E [72634]	11-'14 Mustang, 3.15
RAA435-2164A-P [70205]	03-'05 Crown Victoria, ABS, 2.73, posi	RAA435-276E-P [75974]	11-'14 Mustang, 3.15, posi
RAA435-2164B [78206]	03-'11 Crown Victoria, ABS, 3.27	RAA435-276F [79374]	11-'14 Mustang, 3.73
RAA435-2164B-P [73974]	03-'11 Crown Victoria, ABS, 3.27, posi	RAA435-276F-P [76897]	11-'14 Mustang, 3.73, posi

Ford 8.8IFS

PART #	Description	PART #	Description
RAA440-116A [71728]	06-'08 F150, 3.55	RAA440-1382 [71288]	03-'05 Expedition, 3.73
RAA440-116B [74179]	06-'08 F150, 3.73	RAA440-1382-P [71718]	03-'05 Expedition, 3.73, posi
RAA440-116C [77406]	06-'08 F150, 4.11	RAA440-195A [73506]	09-'12 F150, Expedition & Navigator, 3.31
RAA440-133A [76590]	07-'08 Expedition, 3.31	RAA440-195B [73355]	09-'12 F150, Expedition & Navigator, 3.55
RAA440-133B [74218]	07-'08 Expedition, 3.91	RAA440-195C [79265]	09-'12 F150, Expedition & Navigator, 3.73
RAA440-1347 [78213]	99-'01 Mustang Cobra, 3.27, posi	RAA440-195D [75465]	09-'12 F150, Expedition & Navigator, 4.11
RAA440-1350A [75269]	97-'98 F150, vacuum assist, 3.08	RAA440-235A [79532]	11-'14 F150, 4.11, posi
RAA440-1350B [79091]	97-'04 F150, 3.31	RAA440-235B [79098]	11-'14 F150 Raptor, 4.11, pos
RAA440-1350C [76791]	97-'04 F150, 3.55	RAA440-1384A [79537]	02-'05 Expedition, 3.27
RAA440-1350D [70802]	97-'04 F150, 3.73	RAA440-1384A-P [77466]	02-'05 Expedition, 3.27, posi
RAA440-1350E [71044]	97-'02 Expedition, non-vacuum assist, 3.31	RAA440-1384B [79072]	02-'05 Expedition, 3.55
RAA440-1350F [73560]	97-'02 Expedition, non-vacuum assist, 3.55	RAA440-1384B-P [73622]	02-'05 Expedition, 3.55, posi i
RAA440-1350G [70025]	97-'02 Expedition, non-vacuum assist, 3.73	RAA440-1384C [75568]	02-'05 Expedition, 3.73
RAA440-1381A [74141]	04-'05 F150, 3.55	RAA440-1384D [77591]	02-'05 Expedition, 3.73, posi
RAA440-1381B [77871]	04-'05 F150, 3.73	RAA440-1386 [74350]	03-'04 Mustang, 3.55
RAA440-1381C [75584]	04-'05 F150, 4.11		

Ford 8.8IRS Rear

PART #	Description	PART #	Description
RAA440-117A [76486]	06-'07 Explorer, 3.55	RAA440-121A [74988]	07-'10 Explorer, 3.55
RAA440-117A-P [73963]	06-'07 Explorer, 3.55, posi	RAA440-121A-P [71524]	07-'10 Explorer, 3.55, posi
RAA440-117B [73691]	06-'07 Explorer, 3.73	RAA440-121B [72697]	07-'10 Explorer, 3.73
RAA440-117B-P [78649]	06-'07 Explorer, 3.73, posi	RAA440-121B-P [70488]	07-'10 Explorer, 3.73, posi

Ford 9.75"

PART #	Description	PART #	Description
RAA435-111A [78433]	07-'08 F150, 3.55	RAA435-2029A [73169]	97-'99 F150, rear drum, 3.55
RAA435-111A-P [72999]	07-'08 F150, 3.55, posi	RAA435-2029A-P [79021]	97-'99 F150, rear drum, 3.55, posi
RAA435-111B [79162]	07-'08 F150, 3.55	RAA435-2029B [79462]	98-'99 F150, rear disc, 3.55
RAA435-111B-P [71568]	07-'08 F150, 3.55, posi	RAA435-2029B-P [79181]	98-'99 F150, rear disc, 3.55, posi
RAA435-111C [73206]	07-'08 F150, 3.73	RAA435-2029C [70448]	98-'99 F150, rear drum, 3.73
RAA435-111C-P [75845]	07-'08 F150, 3.73, posi	RAA435-2029C-P [76380]	98-'99 F150, rear drum, 3.73, posi
RAA435-115A [74900]	04-'06 E150, 3.55	RAA435-2029D [76711]	1999 F150, rear disc, 3.73
RAA435-115A-P [73156]	04-'06 E150, 3.55, posi	RAA435-2029D-P [71809]	1999 F150, rear disc, 3.73, posi
RAA435-115B [73869]	04-'06 E150, 3.73	RAA435-2031A [71615]	1999 F150, rear drum 3.55
RAA435-115B-P [70466]	04-'06 E150, 3.73, posi	RAA435-2031A-P [72240]	1999 F150, rear drum 3.55, posi
RAA435-1886 [73144]	97-'00 E150, 3.55	RAA435-2031B [75394]	1999 F150, rear disc, 3.55
RAA435-1886-P [78282]	97-'00 E150, 3.55, posi	RAA435-2031B-P [71270]	1999 F150, rear disc, 3.55, posi
RAA435-1906A [72633]	97-'98 Expedition, 3.31	RAA435-2031C [78604]	1999 F150, rear drum 3.73
RAA435-1906A-P [74083]	97-'98 Expedition, 3.31, posi	RAA435-2031C-P [78140]	1999 F150, rear drum 3.73, posi
RAA435-1906B [75275]	98-'99 Expedition, 3.31	RAA435-2031D [71423]	1999 F150, rear disc, 3.73
RAA435-1906B-P [71219]	98-'99 Expedition, 3.31, posi	RAA435-2031D-P [79362]	1999 F150, rear disc, 3.73, posi
RAA435-1906C [76008]	97-'98 Expedition, 3.73	RAA435-2032A [71220]	99-'00 F150, rear drum, 3.31
RAA435-1906C-P [76837]	97-'98 Expedition, 3.73, posi	RAA435-2032A-P [79182]	99-'00 F150, rear drum, 3.31, posi
RAA435-1906D [71299]	98-'99 Expedition, 3.73	RAA435-2032B [77184]	99-'00 F150, rear disc, 3.31
RAA435-1906D-P [72658]	98-'99 Expedition, 3.73, posi	RAA435-2032B-P [78383]	99-'00 F150, rear disc, 3.31, posi
RAA435-1906E [77123]	1999 Expedition, 3.55	RAA435-2032C [72714]	99-'00 F150, rear drum, 3.55
RAA435-1906E-P [72659]	1999 Expedition, 3.55, posi	RAA435-2032C-P [74574]	99-'00 F150, rear drum, 3.55, posi
RAA435-2019A [76102]	2000 F150, drum brake, 3.55	RAA435-2032D [70148]	99-'00 F150, rear disc, 3.55
RAA435-2019A-P [72215]	2000 F150, drum brake, 3.55, posi	RAA435-2032D-P [77936]	99-'00 F150, rear disc, 3.55, posi
RAA435-2019B [78329]	2000 F150, disc brake, 3.55	RAA435-2032E [76467]	99-'00 F150, rear drum, 3.73
RAA435-2019B-P [70273]	2000 F150, disc brake, 3.55, posi	RAA435-2032E-P [78118]	99-'00 F150, rear drum, 3.73, posi
RAA435-2019C [78143]	2000 F150, disc brake, 3.73	RAA435-2032F [78950]	99-'00 F150, rear drum, 3.73
RAA435-2019C-P [73778]	2000 F150, disc brake, 3.73, posi	RAA435-2032F-P [77276]	99-'00 F150, rear drum, 3.73, posi
RAA435-2021A [71390]	2000 F150, rear drum, stepped housing, 3.55	RAA435-2033A [77996]	97-'99 F150, rear drum, 3.08
RAA435-2021A-P [74742]	2000 F150, rear drum, stepped housing, 3.55, posi	RAA435-2033A-P [72142]	97-'99 F150, rear drum, 3.08, posi
RAA435-2021B [77629]	00-'04 F150, rear disc, stepped housing, 3.31	RAA435-2033B [76671]	97-'99 F150, rear disc, 3.08
RAA435-2021B-P [71016]	00-'04 F150, rear disc, stepped housing, 3.31, posi	RAA435-2033B-P [70733]	97-'99 F150, rear disc, 3.08, posi
RAA435-2021C [78957]	2000 F150, rear drum, stepped housing, 3.55	RAA435-2039A [73277]	00-'02 Expedition, 14mm studs, 3.31
RAA435-2021C-P [75276]	2000 F150, rear drum, stepped housing, 3.55, posi	RAA435-2039A-P [72211]	00-'02 Expedition, 14mm studs, 3.31, posi
RAA435-2021D [75475]	00-'04 F150, rear disc, stepped housing, 3.55	RAA435-2039B [76903]	00-'02 Expedition, 14mm studs, 3.55
RAA435-2021D-P [76821]	00-'04 F150, rear disc, stepped housing, 3.55, posi	RAA435-2039B-P [78302]	99-'02 Expedition, 14mm studs, 3.55, posi
RAA435-2021E [75619]	2000 F150, rear drum stepped housing, 3.73	RAA435-2039C [79126]	99-'02 Expedition, 14mm studs, 3.73
RAA435-2021E-P [75066]	2000 F150, rear drum, stepped housing, 3.73, posi	RAA435-2039C-P [78338]	99-'02 Expedition, 14mm studs, 3.73, posi
RAA435-2021F [73329]	00-'04 F150, rear disc, stepped housing, 3.73	RAA435-2040A [78832]	99-'02 Expedition, 14mm studs, 3.31
RAA435-2021F-P [75812]	00-'04 F150, rear disc, stepped housing, 3.73, posi	RAA435-2040A-P [76166]	99-'02 Expedition, 14mm studs, 3.31, posi
RAA435-2021G [72216]	2000 F150, drum brake, 3.55	RAA435-2040B [75936]	99-'02 Expedition, 14mm studs, 3.55
RAA435-2021H [77978]	00-'03 F150, rear disc, 3.55	RAA435-2040B-P [70410]	99-'02 Expedition, 14mm studs, 3.55, posi
RAA435-2021H-P [71671]	00-'03 F150, rear disc, 3.55, posi	RAA435-2040C [72418]	99-'00 Expedition, 12mm studs, 3.73
RAA435-2021J [73910]	00-'03 F150, rear disc, 3.73	RAA435-2051A [71185]	99-'02 E150, 3.55
RAA435-2021J-P [71752]	00-'03 F150, rear disc, 3.73, posi	RAA435-2051A-P [74696]	99-'02 E150, 3.55, posi
RAA435-2022A [74076]	2000 F150, rear drum, 3.55	RAA435-2051B [77163]	99-'02 E150, 3.55
RAA435-2022A-P [70375]	2000 F150, rear drum, 3.55, posi	RAA435-2051B-P [79102]	99-'02 E150, 3.55, posi
RAA435-2022B [73634]	00-'03 F150, rear disc, 3.55	RAA435-2051C [78162]	99-'02 E150, 3.55
RAA435-2022B-P [77526]	00-'03 F150, rear disc, 3.55, posi	RAA435-2051C-P [70009]	99-'02 E150, 3.55, posi
RAA435-2023A [74852]	1999 F150, rear drum, 3.55	RAA435-2075 [73635]	01-'04 F150 Lightning, 3.73
RAA435-2023A-P [72501]	1999 F150, rear drum, 3.55, posi	RAA435-2075-P [74390]	01-'04 F150 Lightning, 3.73, posi
RAA435-2023B [70170]	1999 F150, rear disc, 3.55	RAA435-211A [79390]	09-'11 F150, 6 lug, w/ electric locker, 3.73
RAA435-2023B-P [72613]	1999 F150, rear disc, 3.55, posi	RAA435-211B [77164]	2011 F150, 6 lug, w/ electric locker, 4.11
RAA435-2024A [73764]	2000 F150, rear drum, 3.31	RAA435-211C [76706]	12-'14 F150, 6 lug, w/ electric locker, 3.15
RAA435-2024A-P [70111]	2000 F150, rear drum, 3.31, posi	RAA435-211D [70726]	12-'14 F150, 6 lug, w/ electric locker, 3.31
RAA435-2024B [78808]	2000 F150, rear disc, 3.31	RAA435-211E [71450]	12-'14 F150, 6 lug, w/ electric locker, 3.55
RAA435-2024B-P [72713]	2000 F150, rear disc, 3.31, posi	RAA435-211F [75247]	12-'14 F150, 6 lug, w/ electric locker, 3.73
RAA435-2024C [73467]	2000 F150, rear drum, 3.55	RAA435-211G [76035]	12-'14 F150, 6 lug, w/ electric locker, 4.11
RAA435-2024C-P [79508]	2000 F150, rear drum, 3.55, posi	RAA435-212A [72992]	09-'11 F150, 6 lug, 3.15
RAA435-2024D [77326]	2000 F150, rear disc, 3.55	RAA435-212A-P [78670]	09-'11 F150, 6 lug, 3.15, posi
RAA435-2024D-P [71171]	2000 F150, rear disc, 3.55, posi	RAA435-212B [78942]	09-'11 F150, 6 lug, 3.31
RAA435-2024E [70725]	2000 F150, rear drum, 3.73	RAA435-212B-P [78405]	09-'11 F150, 6 lug, 3.31, posi
RAA435-2024E-P [74812]	2000 F150, rear drum, 3.73, posi	RAA435-212C [78791]	09-'11 F150, 6 lug, 3.55
RAA435-2024F [79383]	2000 F150, rear disc, 3.73	RAA435-212C-P [73747]	09-'11 F150, 6 lug, 3.55, posi
RAA435-2024F-P [72589]	2000 F150, rear disc, 3.73, posi	RAA435-212D [70123]	09-'11 F150, 6 lug, 3.73

Continued on next page

Ford 9.75" (Cont.)

PART #	Description	PART #	Description
RAA435-212D-P [70405]	09-'11 F150, 6 lug, 3.73, posi	RAA435-213A-P [72285]	09-'11 F150, 7 lug, 3.73, posi
RAA435-212E [75956]	09-'11 F150, 6 lug, 4.11	RAA435-213B [72402]	12-'14 F150, 7 lug, 3.73
RAA435-212E-P [78662]	09-'11 F150, 6 lug, 4.11, posi	RAA435-213B-P [77139]	12-'14 F150, 7 lug, 3.73, posi
RAA435-212F [72223]	12-'13 F150, 6 lug, 3.15	RAA435-2175A [75213]	02-'03 E150, drum brake, 3.55
RAA435-212F-P [74201]	12-'13 F150, 6 lug, 3.15, posi	RAA435-2175A-P [78920]	02-'03 E150, drum brake, 3.55, posi
RAA435-212G [78111]	12-'13 F150, 6 lug, 3.31	RAA435-2175B [70535]	02-'03 E150, disc brake, 3.55
RAA435-212G-P [75760]	12-'13 F150, 6 lug, 3.31, posi	RAA435-2175B-P [77704]	02-'03 E150, disc brake, 3.55, posi
RAA435-212H [74346]	12-'13 F150, 6 lug, 3.55	RAA435-2209A [75219]	04-'05 F150, disc brake, 3.31
RAA435-212H-P [76959]	12-'13 F150, 6 lug, 3.55, posi	RAA435-2209A-P [74700]	04-'05 F150, disc brake, 3.31, posi
RAA435-212J [75239]	12-'13 F150, 6 lug, 3.73	RAA435-2209B [71705]	04-'05 F150, disc brake, 3.55
RAA435-212J-P [78008]	12-'13 F150, 6 lug, 3.73, posi	RAA435-2209B-P [75449]	04-'05 F150, disc brake, 3.55, posi
RAA435-212K [76334]	12-'13 F150, 6 lug, 4.11	RAA435-2209C [71867]	04-'05 F150, disc brake, 3.73
RAA435-212K-P [75596]	12-'13 F150, 6 lug, 4.11, posi	RAA435-2209C-P [71412]	04-'05 F150, disc brake, 3.73, posi
RAA435-213A [74407]	09-'11 F150, 7 lug, 3.73	RAA435-253 [74237]	2010 F150 Raptor, electric locker, 4.11
		RAA435-278B [70258]	11-'14 F150 Raptor, electric locker, 4.11

Ford 9.75IRS

PART #	Description	PART #	Description
RAA440-135A [74473]	07-'10 Expedition, 3.31	RAA440-135B [76524]	07-'10 Expedition, 3.73
RAA440-135A-P [74650]	07-'10 Expedition, 3.31, posi	RAA440-135B-P [70646]	07-'10 Expedition, 3.73, posi

Ford 9.75IRS

PART #	Description	PART #	Description
RAA440-1383A [74755]	2005 Expedition, 3.73	RAA440-1383C [71447]	2005 Expedition, 3.73
RAA440-1383A-P [72281]	2005 Expedition, 3.73, posi	RAA440-1383C-P [75904]	2005 Expedition, 3.73, posi
RAA440-1383B [77401]	03-'05 Expedition, 3.73	RAA440-1383D [76527]	2005 Expedition, 3.31
RAA440-1383B-P [79212]	03-'05 Expedition, 3.73, posi	RAA440-1383D-P [78421]	2005 Expedition, 3.31, posi

Ford 10.25"

PART #	Description	PART #	Description
RAA435-1445B [71532]	85-'86 SRW, 3.55	RAA435-1497A-P [72348]	87-'97 F350, DRW, 3.55, posi
RAA435-1445B-P [76583]	85-'86 SRW, 3.55, posi	RAA435-1497B [79437]	87-'97 F350, DRW, 4.11
RAA435-1448A [76043]	85-'86 F250, semi float, 3.55	RAA435-1497B-P [71422]	87-'97 F350, DRW, 4.11, posi
RAA435-1448A-P [76951]	85-'86 F250, semi float, 3.55, posi	RAA435-1498A [78142]	87-'97 F350, DRW, non-ABS, cab chassis, 3.55
RAA435-1495A [74740]	87-'97 F250 & F350, SRW, ABS, full float, 3.55	RAA435-1498A-P [72952]	87-'97 F350, DRW, non-ABS, cab chassis, 3.55, posi
RAA435-1495A-P [71462]	87-'97 F250 & F350, SRW, ABS, full float, 3.55, posi	RAA435-1498B [78737]	87-'97 F350, DRW, ABS, cab chassis, 3.55
RAA435-1495B [78221]	87-'88 F250, ABS, full float, 3.73	RAA435-1498B-P [76799]	87-'97 F350, DRW, ABS, cab chassis, 3.55, posi
RAA435-1495B-P [70885]	87-'88 F250, ABS, full float, 3.73, posi	RAA435-1498C [70384]	87-'97 F350, DRW, non-ABS, cab chassis, 4.11
RAA435-1495C [76928]	87-'97 F250 & F350, SRW, ABS, full float, 4.11	RAA435-1498C-P [78514]	87-'97 F350, DRW, non-ABS, cab chassis, 4.11, posi
RAA435-1495C-P [77338]	87-'97 F250 & F350, SRW, ABS, full float, 4.11, posi	RAA435-1498D [77431]	87-'97 F350, DRW, ABS, cab chassis, 4.11
RAA435-1496A [72542]	87-'97 F250, ABS, semi-float, 3.55	RAA435-1498D-P [73468]	87-'97 F350, DRW, ABS, cab chassis, 4.11, posi
RAA435-1496A-P [73098]	87-'97 F250, ABS, semi-float, 3.55, posi	RAA435-1982A [76200]	97-'99 F250, drum brakes, 3.31
RAA435-1496B [79460]	87-'97 F250, ABS, semi-float, 4.11	RAA435-1982A-P [76971]	97-'99 F250, drum brakes, 3.31, posi
RAA435-1496B-P [72391]	87-'97 F250, ABS, semi-float, 4.11, posi	RAA435-1982B [78434]	97-'99 F250, drum brakes, 3.73
RAA435-1496C [72306]	87-'93 F250, non-ABS, semi-float, 3.55	RAA435-1982B-P [71933]	97-'99 F250, drum brakes, 3.73, posi
RAA435-1496C-P [73052]	87-'93 F250, non-ABS, semi-float, 3.55, posi	RAA435-1982C [74617]	97-'99 F250, disc brakes, 3.31
RAA435-1496D [73053]	87-'93 F250, non-ABS, semi-float, 4.11	RAA435-1982C-P [74508]	97-'99 F250, disc brakes, 3.31, posi
RAA435-1496D-P [73075]	87-'93 F250, non-ABS, semi-float, 4.11, posi	RAA435-1982D [76997]	97-'99 F250, disc brakes, 3.73
RAA435-1496E [76589]	87-'89 F250, ABS, semi-float, 3.73	RAA435-2020 [76225]	00-'04 F150, 3.73
RAA435-1496E-P [71098]	87-'89 F250, ABS, semi-float, 3.73, posi	RAA435-2020-P [73633]	00-'04 F150, 3.73, posi
RAA435-1496F [77886]	87-'89 F250, non-ABS, semi-float, 3.73	RAA435-2210 [74486]	04-'08 F150, 7 lug, 4.11
RAA435-1496F-P [71748]	87-'89 F250, non-ABS, semi-float, 3.73, posi	RAA435-2210-P [79637]	04-'08 F150, 7 lug, 4.11, posi
RAA435-1497A [71108]	87-'97 F350, DRW, 3.55		

Ford 10.5"

PART #	Description	PART #	Description
RAA435-159A [73859]	08-'10 F250 & F350 5.4L, SRW, 3.73	RAA435-159B [74877]	08-'10 F250 & F350 5.4L, SRW, 4.11
RAA435-159A-P [77784]	08-'10 F250 & F350 5.4L, SRW, 3.73, posi	RAA435-159B-P [74954]	08-'10 F250 & F350 5.4L, SRW, 4.11, posi

Continued on next page

Ford 10.5" (Cont.)

PART #	Description	PART #	Description
RAA435-159C [72313]	08-'10 F250 & F350 5.4L, SRW, 4.30	RAA435-2045B [70870]	00-'01 F350, SRW, 4.11
RAA435-159C-P [78351]	08-'10 F250 & F350 5.4L, SRW, 4.30, posi	RAA435-2045B-P [76663]	00-'01 F350, SRW, 4.11, posi
RAA435-160A [76068]	08-'10 F250 & F350 6.4L, SRW, 3.55	RAA435-2045C [74670]	00-'01 F350, SRW, 3.73
RAA435-160A-P [71438]	08-'10 F250 & F350 6.4L, SRW, 3.55, posi	RAA435-2045C-P [75118]	00-'01 F350, SRW, 3.73, posi
RAA435-160B [72232]	08-'10 F250 & F350 6.4L, SRW, 3.73	RAA435-2045D [79640]	00-'01 F350, SRW, 4.11
RAA435-160B-P [73347]	08-'10 F250 & F350 6.4L, SRW, 3.73, posi	RAA435-2045D-P [76784]	00-'01 F350, SRW, 4.11, posi
RAA435-160C [72100]	08-'10 F250 & F350 6.4L, SRW, 3.31	RAA435-2045E [72514]	00-'01 F350, SRW, 3.73
RAA435-160C-P [76496]	08-'10 F250 & F350 6.4L, SRW, 3.31, posi	RAA435-2045F [76370]	03-'04 F350, SRW, 4.30
RAA435-1976A [70698]	1999 F250 & F350, SRW, 3.73	RAA435-2045F-P [77645]	03-'04 F350, SRW, 4.30, posi
RAA435-1976A-P [75767]	1999 F250 & F350, SRW, 3.73, posi	RAA435-2046A [73905]	01-'02 F350, DRW, 3.73
RAA435-1976B [70291]	1999 F250 & F350, SRW, 4.30	RAA435-2046A-P [77387]	01-'02 F350, DRW, 3.73, posi
RAA435-1976B-P [75430]	1999 F250 & F350, SRW, 4.30, posi	RAA435-2046B [75855]	01-'02 F350, DRW, 4.11
RAA435-1976C [78938]	1999 F250 & F350, SRW, 4.30	RAA435-2046B-P [74333]	01-'02 F350, DRW, 4.11, posi
RAA435-1976C-P [71541]	1999 F250 & F350, SRW, 4.30, posi	RAA435-2046C [72330]	02-'04 F350, DRW, 3.73
RAA435-1976D [78250]	1999 F250 & F350, SRW, 3.73	RAA435-2046C-P [73093]	02-'04 F350, DRW, 3.73, posi
RAA435-1976D-P [79645]	1999 F250 & F350, SRW, 3.73, posi	RAA435-2046D [74345]	02-'04 F350, DRW, 4.11
RAA435-1977A [77761]	1999 F250 & F350, SRW, 3.73	RAA435-2046D-P [75783]	02-'04 F350, DRW, 4.11, posi
RAA435-1977A-P [76771]	1999 F250 & F350, SRW, 3.73, posi	RAA435-206A [70292]	08-'10 F350, cab chassis, 3.73
RAA435-1977B [74267]	1999 F250 & F350, SRW, 3.73	RAA435-206A-P [72419]	08-'10 F350, cab chassis, 3.73, posi
RAA435-1977B-P [71088]	1999 F250 & F350, SRW, 3.73, posi	RAA435-206B [70738]	08-'10 F350, cab chassis, 4.11
RAA435-1977C [73829]	1999 F250 & F350, SRW, 3.73	RAA435-206B-P [77332]	08-'10 F350, cab chassis, 4.11, posi
RAA435-1977C-P [74832]	1999 F250 & F350, SRW, 3.73, posi	RAA435-2246A [70287]	05-'07 F250, 3.73
RAA435-1978A [71683]	1999 F250 & F350, SRW, 3.73	RAA435-2246A-P [73656]	05-'07 F250, 3.73, posi
RAA435-1978A-P [79504]	99-'00 Excursion, SRW, 3.73	RAA435-2246B [76229]	05-'07 F250, 4.11
RAA435-1978B [75791]	99-'00 Excursion, SRW, 4.11	RAA435-2246B-P [79259]	05-'07 F250, 4.11, posi
RAA435-1978B-P [77702]	99-'00 Excursion, SRW, 4.11, posi	RAA435-2246C [73657]	05-'07 F250, 4.30
RAA435-1978C [74389]	99-'00 Excursion, SRW, 4.30	RAA435-2246C-P [75074]	05-'07 F250, 4.30, posi
RAA435-1978C-P [72365]	1999 F250 & F350, SRW, 3.73, posi	RAA435-2246D [71062]	05-'07 F250 & F350, SRW, 3.73
RAA435-1978D [78541]	1999 F250 & F350, SRW, 3.73	RAA435-2246D-P [70834]	05-'07 F250 & F350, SRW, 3.73, posi
RAA435-1978D-P [79619]	1999 F250 & F350, SRW, 3.73, posi	RAA435-2246E [77055]	05-'07 F250 & F350, SRW, 4.11
RAA435-1979A [75443]	99-'00 F350, DRW, 3.73	RAA435-2246E-P [73621]	05-'07 F250 & F350, SRW, 4.11, posi
RAA435-1979A-P [79344]	99-'00 F350, DRW, 3.73, posi	RAA435-228A [71138]	05-'07 F350, SRW, cab chassis, 3.73
RAA435-1979B [72028]	99-'00 F350, DRW, 4.11	RAA435-228A-P [74205]	05-'07 F350, SRW, cab chassis, 3.73, posi
RAA435-1979B-P [72263]	99-'00 F350, DRW, 4.11, posi	RAA435-228B [79133]	05-'07 F350, SRW, cab chassis, 4.11
RAA435-1980A [73904]	99-'00 F350, DRW, 3.73	RAA435-228B-P [71511]	05-'07 F350, SRW, cab chassis, 4.11, posi
RAA435-1980A-P [74427]	99-'00 F350, DRW, 3.73, posi	RAA435-229A [78792]	05-'07 F350, DRW, chassis, 3.73
RAA435-1980B [75881]	99-'00 F350, DRW, 4.11	RAA435-229A-P [74255]	05-'07 F350, DRW, chassis, 3.73, posi
RAA435-1980B-P [72475]	99-'00 F350, DRW, 4.11, posi	RAA435-229B [70107]	05-'07 F350, DRW, chassis, 4.11
RAA435-1980B-POEM [79187]	99-'00 F350, SRW, 4.11	RAA435-229B-P [75517]	05-'07 F350, DRW, chassis, 4.11, posi
RAA435-1980C [76650]	99-'00 F350, SRW, 3.73	RAA435-265A [72585]	11-'12 F350 6.2L, SRW, cab chassis, electric locker, 3.73
RAA435-1980C-P [76165]	99-'00 F350, SRW, 3.73, posi	RAA435-265B [73069]	11-'12 F350 6.2L, SRW, cab chassis, electric locker, 4.11
RAA435-1981A [72578]	99-'00 F350, SRW, 3.73	RAA435-265C [72294]	11-'12 F350 6.2L, SRW, cab chassis, 3.73
RAA435-1981A-P [77045]	99-'00 F350, DRW, 3.73, posi	RAA435-265D [70364]	11-'12 F350 6.2L, SRW, cab chassis, 4.30
RAA435-1981B [70016]	99-'00 F350, DRW, 4.11	RAA435-265E [79312]	13-'14 F350 6.2L, SRW, cab chassis, electric locker, 3.73
RAA435-1981B-P [77964]	99-'00 F350, DRW, 4.11, posi	RAA435-265F [78586]	13-'14 F350 6.2L, SRW, cab chassis, electric locker, 4.30
RAA435-1982D-P [79401]	97-'99 F250, disc brakes, 3.73, posi	RAA435-265G [76625]	13-'14 F350 6.2L, SRW, cab chassis, 3.73
RAA435-2043A [75629]	00-'01 Excursion, F250 & F350, SRW, 3.73	RAA435-266A [73215]	11-'12 F350 6.2L, SRW, cab chassis, electric locker, 3.73
RAA435-2043A-P [74788]	00-'01 Excursion, F250 & F350, SRW, 3.73, posi	RAA435-266B [78879]	11-'12 F350 6.2L, SRW, cab chassis, 3.73
RAA435-2043B [79680]	00-'04 F250 & F350, SRW, 3.73	RAA435-266C [71711]	13-'14 F350 6.2L, SRW, cab chassis, electric locker, 3.73
RAA435-2043B-P [79379]	00-'04 F250 & F350, SRW, 3.73, posi	RAA435-266D [72425]	11-'12 F350 6.2L, SRW, cab chassis, 3.73
RAA435-2043C [76545]	00-'01 Excursion, F250 & F350, SRW, 4.11	RAA435-267A [75664]	11-'12 F250 & F350, gas, SRW, electric locker, 3.73
RAA435-2043C-P [77013]	00-'01 Excursion, F250 & F350, SRW, 4.11, posi	RAA435-267B [74288]	11-'12 F250 & F350, gas, SRW, electric locker, 4.30
RAA435-2043D [70881]	00-'04 F250 & F350, SRW, 4.30	RAA435-267C [72304]	11-'12 F250 & F350, gas, SRW, 3.73
RAA435-2043D-P [75268]	00-'04 F250 & F350, SRW, 4.30, posi	RAA435-267D [73397]	13-'14 F250 & F350, gas, SRW, electric locker, 3.73
RAA435-2043E [78624]	00-'04 Excursion & F350, SRW, 4.11	RAA435-267E [71413]	13-'14 F250 & F350, gas, SRW, electric locker, 4.30
RAA435-2043E-P [73058]	00-'04 Excursion & F350, SRW, 4.11, posi	RAA435-267F [78576]	13-'14 F250 & F350, gas, SRW, 3.73
RAA435-2043F [72978]	02-'04 F350, SRW, 4.30	RAA435-268A [71913]	11-'12 F250 & F350, diesel, SRW, electric locker, 3.31
RAA435-2043F-P [74511]	02-'04 F350, SRW, 4.30, posi	RAA435-268B [72346]	11-'12 F250 & F350, diesel, SRW, electric locker, 3.55
RAA435-2043G [79231]	02-'04 F350, SRW, 3.73	RAA435-268C [73426]	11-'12 F250 & F350, diesel, SRW, 3.31
RAA435-2043G-P [76327]	02-'04 F350, SRW, 3.73, posi	RAA435-268D [70239]	11-'12 F250 & F350, diesel, SRW, 3.55
RAA435-2044A [73330]	00-'01 F350, DRW, 3.73	RAA435-268E [76124]	13-'14 F250 & F350, diesel, SRW, electric locker, 3.31
RAA435-2044A-P [75550]	00-'01 F350, DRW, 3.73, posi	RAA435-268F [72941]	13-'14 F250 & F350, diesel, SRW, electric locker, 3.55
RAA435-2044B [79247]	00-'01 F350, DRW, 4.11	RAA435-268G [78902]	13-'14 F250 & F350, diesel, SRW, 3.31
RAA435-2044B-P [74423]	00-'01 F350, DRW, 4.11, posi	RAA435-268H [76932]	13-'14 F250 & F350, diesel, SRW, 3.55
RAA435-2044C [72888]	00-'04 F350, DRW, 3.73		
RAA435-2044C-P [77618]	00-'04 F350, DRW, 3.73, posi		
RAA435-2044D [70340]	00-'04 F350, DRW, 4.11		
RAA435-2044D-P [75426]	00-'04 F350, DRW, 4.11, posi		
RAA435-2045A [76859]	00-'01 F350, SRW, 3.73		
RAA435-2045A-P [75898]	00-'01 F350, SRW, 3.73, posi		

GM 12P

PART #	Description	PART #	Description
RAA435-941B [73197]	68-'72 passenger car	RAA435-941B-P [76377]	68-'72 passenger car, posi

GM D60

PART #	Description	PART #	Description
RAA435-2120A [76438]	02-'05 1500, Quadrasteer, 6 lug, 4.11	RAA435-2234B [70917]	05-'09 Van 3500, SWR, non-active brake, cutaway, 4.11
RAA435-2120B [77788]	02-'05 1500, Quadrasteer, 6 lug, 4.11, w/ locking diff	RAA435-2234B-P [75731]	05-'09 Van 3500, SWR, non-active brake, cutaway, 4.11, posi
RAA435-2180A [78761]	09-'10 Van 2500, non-active brake, 3.73	RAA435-2237A [71340]	04-'05 1500 crew cab, 3.73
RAA435-2180A-P [75903]	09-'10 Van 2500, non-active brake, 3.73, posi	RAA435-2237A-P [75545]	04-'05 1500 crew cab, 3.73, posi
RAA435-2180B [70095]	09-'10 Van 2500, non-active brake, 4.11	RAA435-2237B [73938]	04-'05 1500 crew cab, 4.11
RAA435-2180B-P [73345]	09-'10 Van 2500, non-active brake, 4.11, posi	RAA435-2237B-P [70953]	04-'05 1500 crew cab, 4.11, posi
RAA435-2186A [75915]	03-'04 2500, Quadrasteer, 3.73	RAA435-2238A [71924]	04-'05 2500 Quadrasteer, 3.73
RAA435-2186A-P [70769]	03-'04 2500, Quadrasteer, 3.73, posi	RAA435-2238A-P [72187]	04-'05 2500 Quadrasteer, 3.73, posi
RAA435-2186B [78150]	03-'04 2500, Quadrasteer, 4.11	RAA435-2238B [79667]	04-'05 2500 Quadrasteer, 4.11
RAA435-2186B-P [70717]	03-'04 2500, Quadrasteer, 4.11, posi	RAA435-2238B-P [72224]	04-'05 2500 Quadrasteer, 4.11, posi
RAA435-2233 [77503]	05-'09 Van 3500, SWR, cutaway, 4.11	RAA435-2187A-P	2003 P/U, 3.73
RAA435-2233-P [76220]	05-'09 Van 3500, SWR, cutaway, 4.11, posi	RAA435-2187B-P	2003 P/U, 4.11
RAA435-2234A [78318]	05-'09 Van 3500, SWR, non-active brake, cutaway, 3.73		
RAA435-2234A-P [74287]	05-'09 Van 3500, SWR, non-active brake, cutaway, 3.73, posi		

GM D70

PART #	Description	PART #	Description
RAA435-1659A [76870]	90-'91 3500, DRW, vin "R" & "V", 3.42	RAA435-2172B-P [78891]	06-'09 Van 3500, DRW, 4.11, posi
RAA435-1659A-P [70202]	90-'91 3500, DRW, vin "R" & "V", 3.42, posi	RAA435-2174A [74535]	06-'09 Van 2500, DRW, 3.73
RAA435-1659B [70896]	90-'91 3500, DRW, vin "R" & "V", 3.73	RAA435-2174A-P [76865]	06-'09 Van 2500, DRW, 3.73, posi
RAA435-2170A [76192]	03-'09 Van 3500, SRW, cutaway, 3.73	RAA435-2174B [76880]	06-'09 Van 2500, DRW, 4.11
RAA435-2170A-P [70212]	03-'09 Van 3500, SRW, cutaway, 3.73, posi	RAA435-2174B-P [72955]	06-'09 Van 2500, DRW, 4.11, posi
RAA435-2170B [77831]	03-'09 Van 3500, SRW, cutaway, 4.11	RAA435-2219 [72190]	04-'06 Express van, SRW, active brake, 3.73
RAA435-2170B-P [77780]	03-'09 Van 3500, SRW, cutaway, 4.11, posi	RAA435-2219-P [77716]	04-'06 Express van, SRW, active brake, 3.73, posi
RAA435-2172A [73332]	06-'09 Van 3500, DRW, 3.73	RAA435-227 [74841]	2009 Van 3500, DRW, 4.11
RAA435-2172A-P [77209]	06-'09 Van 3500, DRW, 3.73, posi	RAA435-227-P [77094]	2009 Van 3500, DRW, 4.11, posi
RAA435-2172B [75630]	06-'09 Van 3500, DRW, 4.11		

GM D70HD

PART #	Description	PART #	Description
RAA435-1659B-P [70522]	90-'91 3500, DRW, vin "R" & "V", 3.73, posi	RAA435-1659D [76138]	90-'91 3500, DRW, vin "R" & "V", 4.56
RAA435-1659C [79607]	90-'91 3500, DRW, vin "R" & "V", 4.11	RAA435-1659D-P [79397]	90-'91 3500, DRW, vin "R" & "V", 4.56, posi
RAA435-1659C-P [75935]	90-'91 3500, DRW, vin "R" & "V", 4.11, posi		

GM D80

PART #	Description	PART #	Description
RAA435-1664A [74829]	92-'02 3500HD, 2WD, DRW, non-wide track, 4.63	RAA435-1958A [75307]	96-'02 3500, DRW, 2WD, w/ wrecker prep, 4.63
RAA435-1664A-P [79176]	92-'02 3500HD, 2WD, DRW, non-wide track, 4.63, posi	RAA435-1958A-P [70667]	96-'02 3500, DRW, 2WD, w/ wrecker prep, 4.63, posi
RAA435-1664B [75918]	92-'02 3500HD, 2WD, DRW, non-wide track, 5.13	RAA435-1958B [74164]	96-'02 3500, DRW, 2WD, w/ wrecker prep, 5.13
RAA435-1664B-P [71033]	92-'02 3500HD, 2WD, DRW, non-wide track, 5.13, posi	RAA435-1958B-P [75527]	96-'02 3500, DRW, 2WD, w/ wrecker prep, 5.13, posi
RAA435-1841A [70625]	92-'02 3500HD, DRW, 2WD, wide track, 4.63	RAA435-2117A [78292]	96-'02 3500, DRW wrecker, 2WD, 4.63
RAA435-1841A-P [78196]	92-'02 3500HD, DRW, 2WD, wide track, 4.63, posi	RAA435-2117A-P [74378]	96-'02 3500, DRW wrecker, 2WD, 4.63, posi
RAA435-1841B [70248]	92-'02 3500HD, DRW, 2WD, wide track, 5.13	RAA435-2117B [74429]	96-'02 3500, DRW wrecker, 2WD, 5.13
RAA435-1841B-P [70144]	92-'02 3500HD, DRW, 2WD, wide track, 5.13, posi	RAA435-2117B-P [75932]	96-'02 3500, DRW wrecker, 2WD, 5.13, posi

PART #	Description	PART #	Description
RAA435-1039D [70768]	73-'88 GM 3500, DRW, 4.11	RAA435-1661D-P [73942]	90-'00 2500 & 3500, 2WD, DRW, 4.56, posi
RAA435-1039D-P [78161]	73-'88 GM 3500, DRW, 4.11, posi	RAA435-1663A [75913]	90-'00 3500, 2WD, SRW, 3.42
RAA435-1039E [77909]	73-'88 GM 3500, DRW, 4.56	RAA435-1663A-P [76620]	90-'00 3500, 2WD, SRW, 3.42, posi
RAA435-1039E-P [73354]	73-'88 GM 3500, DRW, 4.56, posi	RAA435-1663B [77607]	90-'00 3500, 2WD, SRW, 3.73
RAA435-153 [75987]	08-'13 Suburban 2500, 3.73	RAA435-1663B-P [77230]	90-'00 3500, 2WD, SRW, 3.73, posi
RAA435-153-P [76349]	08-'13 Suburban 2500, 3.73, posi	RAA435-1663C [76570]	90-'00 3500, 2WD, SRW, 4.11
RAA435-1653A [79601]	90-'00 3500, SRW, 3.42	RAA435-1663C-P [73392]	90-'00 3500, 2WD, SRW, 4.11, posi
RAA435-1653A-P [74425]	90-'00 3500, SRW, 3.42, posi	RAA435-1663D [70579]	90-'00 3500, 2WD, SRW, 4.56
RAA435-1653B [75245]	90-'00 3500, SRW, 3.73	RAA435-1663D-P [75383]	90-'00 3500, 2WD, SRW, 4.56, posi
RAA435-1653B-P [77921]	90-'00 3500, SRW, 3.73, posi	RAA435-1663E [78055]	90-'00 3500, 2WD, SRW, 4.63
RAA435-1653C [74462]	90-'00 3500, SRW, 4.11	RAA435-1663E-P [76203]	90-'00 3500, 2WD, SRW, 4.63, posi
RAA435-1653C-P [79632]	90-'00 3500, SRW, 4.11, posi	RAA435-1663F [77072]	90-'00 3500, 2WD, SRW, 5.13
RAA435-1653D [72479]	90-'00 3500, SRW, 4.56	RAA435-1663F-P [77038]	90-'00 3500, 2WD, SRW, 5.13, posi
RAA435-1653D-P [74591]	90-'00 3500, SRW, 4.56, posi	RAA435-1688A [79062]	92-'00 K3500, SRW, 3.42
RAA435-1655A [77161]	90-'00 2500 & 3500, 4WD, Vin "K", 3.42	RAA435-1688A-P [75888]	92-'00 K3500, SRW, 3.42, posi
RAA435-1655A-P [70511]	90-'00 2500 & 3500, 4WD, Vin "K", 3.42, posi	RAA435-1688B [78638]	92-'00 K3500, SRW, 3.73
RAA435-1655B [74500]	90-'00 2500 & 3500, 4WD, Vin "K", 3.73	RAA435-1688B-P [76765]	92-'00 K3500, SRW, 3.73, posi
RAA435-1655B-P [76938]	90-'00 2500 & 3500, 4WD, Vin "K", 3.73, posi	RAA435-1688C [70272]	92-'00 K3500, SRW, 4.11
RAA435-1655C [75363]	90-'00 2500 & 3500, 4WD, Vin "K", 4.11	RAA435-1688C-P [70596]	92-'00 K3500, SRW, 4.11, posi
RAA435-1655C-P [78849]	90-'00 2500 & 3500, 4WD, Vin "K", 4.11, posi	RAA435-1688D [71036]	92-'00 K3500, SRW, 4.56
RAA435-1655D [74312]	90-'00 2500 & 3500, 4WD, Vin "K", 4.56	RAA435-1688D-P [70023]	92-'00 K3500, SRW, 4.56, posi
RAA435-1655D-P [76912]	90-'00 2500 & 3500, 4WD, Vin "K", 4.56, posi	RAA435-1872 [76313]	96-'02 Van 2500, 3.73
RAA435-1656A [76974]	90-'00 3500, DRW, non-wide track, 3.42	RAA435-1872-P [71334]	96-'02 Van 2500, 3.73, posi
RAA435-1656A-P [70681]	90-'00 3500, DRW, non-wide track, 3.42, posi	RAA435-1873 [78585]	96-'02 Cutaway van 3500, SRW, 3.73
RAA435-1656B [77951]	90-'00 3500, DRW, non-wide track, 3.73	RAA435-1873-P [76796]	96-'02 Cutaway van 3500, SRW, 3.73, posi
RAA435-1656B-P [75071]	90-'00 3500, DRW, non-wide track, 3.73, posi	RAA435-1874 [72350]	96-'02 Cutaway van 3500, DRW, 4.10
RAA435-1656C [75988]	90-'00 3500, DRW, non-wide track, 4.11	RAA435-1874-P [74794]	96-'02 Cutaway van 3500, DRW, 4.10, posi
RAA435-1656C-P [78818]	90-'00 3500, DRW, non-wide track, 4.11, posi	RAA435-1957A [76477]	99-'05 1500, 3.73
RAA435-1656D [72134]	90-'00 3500, DRW, non-wide track, 4.56	RAA435-1957A-P [79361]	99-'05 1500, 3.73, posi
RAA435-1656D-P [73268]	90-'00 3500, DRW, non-wide track, 4.56, posi	RAA435-1957B [78171]	99-'05 1500, 4.11
RAA435-1657A [72670]	90-'00 3500, DRW, wide track, 3.42	RAA435-1957B-P [70979]	99-'05 1500, 4.11, posi
RAA435-1657A-P [72557]	90-'00 3500, DRW, wide track, 3.42, posi	RAA435-2182A [79364]	01-'05 2500, 3.73
RAA435-1657B [70402]	90-'00 3500, DRW, wide track, 3.73	RAA435-2182A-P [70527]	01-'05 2500, 3.73, posi
RAA435-1657B-P [77624]	90-'00 3500, DRW, wide track, 3.73, posi	RAA435-2182B [74924]	01-'05 2500, 4.11
RAA435-1657C [71228]	90-'00 3500, DRW, wide track, 4.11	RAA435-2182B-P [70943]	01-'05 2500, 4.11, posi
RAA435-1657C-P [72820]	90-'00 3500, DRW, wide track, 4.11, posi	RAA435-220A [75993]	09-'10 Silverado 2500, active brake, 3.73
RAA435-1657D [78630]	90-'00 3500, DRW, wide track, 4.56	RAA435-220A-P [71587]	09-'10 Silverado 2500, active brake, 3.73, posi
RAA435-1657D-P [71136]	90-'00 3500, DRW, wide track, 4.56, posi	RAA435-220B [74578]	09-'10 Silverado 2500, active brake, 4.11
RAA435-1658A [71776]	90-'00 3500, DRW, non-wide track, 3.42	RAA435-220B-P [75899]	09-'10 Silverado 2500, active brake, 4.11, posi
RAA435-1658A-P [73233]	90-'00 3500, DRW, non-wide track, 3.42, posi	RAA435-2262A [72361]	07-'08 Silverado 2500, non-active brake, 3.73
RAA435-1658B [72794]	90-'00 3500, DRW, non-wide track, 3.73	RAA435-2262A-P [78733]	07-'08 Silverado 2500, non-active brake, 3.73, posi
RAA435-1658B-P [70210]	90-'00 3500, DRW, non-wide track, 3.73, posi	RAA435-2262B [77988]	07-'08 Silverado 2500, non-active brake, 4.11
RAA435-1658C [79343]	90-'00 3500, DRW, non-wide track, 4.11	RAA435-2262B-P [72195]	07-'08 Silverado 2500, non-active brake, 4.11, posi
RAA435-1658C-P [71153]	90-'00 3500, DRW, non-wide track, 4.11, posi	RAA435-261 [71446]	2010 Van 2500 & 3500, non-active brake, 3.54
RAA435-1658D [71860]	90-'00 3500, DRW, non-wide track, 4.56	RAA435-261-P [75717]	2010 Van 2500 & 3500, non-active brake, 3.54, posi
RAA435-1658D-P [74895]	90-'00 3500, DRW, non-wide track, 4.56, posi	RAA435-263 [74804]	10-'13 Van 3500, SRW, cutaway, non-active brake, 3.54
RAA435-1660A [71411]	90-'91 3500, 2WD, DRW, 3.42	RAA435-263-P [71806]	10-'13 Van 3500, SRW, cutaway, non-active brake, 3.54, posi
RAA435-1660A-P [78611]	90-'91 3500, 2WD, DRW, 3.42, posi	RAA435-264A [71648]	10-'13 Van 3500, SRW, cutaway, non-active brake, 3.73
RAA435-1660B [76939]	90-'91 3500, 2WD, DRW, 3.73	RAA435-264A-P [79225]	10-'13 Van 3500, SRW, cutaway, non-active brake, 3.73, posi
RAA435-1660B-P [79329]	90-'91 3500, 2WD, DRW, 3.73, posi	RAA435-264B [72984]	10-'13 Van 3500, SRW, cutaway, non-active brake, 4.11
RAA435-1660C [77910]	90-'91 3500, 2WD, DRW, 4.11	RAA435-264B-P [71094]	10-'13 Van 3500, SRW, cutaway, non-active brake, 4.11, posi
RAA435-1660C-P [72859]	90-'91 3500, 2WD, DRW, 4.11, posi	RAA435-274A [73273]	11-'14 3500, 3.73
RAA435-1660D [71092]	90-'91 3500, 2WD, DRW, 4.56	RAA435-274A-P [75075]	11-'14 3500, 3.73, posi
RAA435-1660D-P [79584]	90-'91 3500, 2WD, DRW, 4.56, posi	RAA435-274B [79255]	11-'14 3500, 4.11
RAA435-1661A [74896]	90-'00 2500 & 3500, 2WD, DRW, 3.42	RAA435-274B-P [77848]	11-'14 3500, 4.11, posi
RAA435-1661A-P [78266]	90-'00 2500 & 3500, 2WD, DRW, 3.42, posi	RAA435-275B [70004]	11-'14 Silverado & Sierra 2500/3500, diesel, SRW, 4.11
RAA435-1661B [76800]	90-'00 2500 & 3500, 2WD, DRW, 3.73		
RAA435-1661B-P [75296]	90-'00 2500 & 3500, 2WD, DRW, 3.73, posi		
RAA435-1661C [71164]	90-'00 2500 & 3500, 2WD, DRW, 4.11		
RAA435-1661C-P [78382]	90-'00 2500 & 3500, 2WD, DRW, 4.11, posi		
RAA435-1661D [70365]	90-'00 2500 & 3500, 2WD, DRW, 4.56		

GM 7.2IFS

PART #	Description	PART #	Description
RAA440-1318A [71845]	97-'98 Astro & Safari van, flat yoke, 3.42	RAA440-1364J [72568]	88-'89 S10 & S15, non-ZR2, 4.11
RAA440-1318B [70037]	97-'98 Astro & Safari van, flat yoke, 3.73	RAA440-1364K [78841]	90-'96 Astro & Safari van, 3.42
RAA440-1318A [71845]	97-'98 Astro & Safari van, flat yoke, 3.42	RAA440-1364M [73673]	90-'96 Astro & Safari van, 3.73
RAA440-1318B [70037]	97-'98 Astro & Safari van, flat yoke, 3.73	RAA440-1365A [77174]	97-'03 S20 & S15, non-ZR2, auto transmission, 3.08
RAA440-1320A [71076]	97-'99 Bravada, 3.42	RAA440-1365B [71195]	97-'03 S20 & S15, non-ZR2, auto transmission, 3.42
RAA440-1320B [73346]	97-'01 Bravada, 3.73	RAA440-1365C [73159]	97-'03 S20 & S15, non-ZR2, auto transmission, 3.73
RAA440-1323 [73578]	97-'05 S10 & S15, 3.73	RAA440-1366 [79338]	97-'03 S10 & S15, non-ZR2, manual transmission, 3.42
RAA440-1327 [79046]	97-'05 S10 & S15, 3.73	RAA440-1371B [70156]	2002 Envoy & Bravada, 3.73
RAA440-1353A [70706]	99-'05 Astro & Safari van, 3.42	RAA440-1371C [73724]	2002 Envoy & Bravada, 4.11
RAA440-1353B [70114]	99-'05 Astro & Safari van, 3.73	RAA440-1371D [71119]	03-'05 Trailblazer & Envoy, 3.42
RAA440-1364C [75095]	83-'87 S10 & S15, 3.42	RAA440-1371E [78243]	03-'05 Trailblazer & Envoy, 3.73
RAA440-1364D [72218]	83-'87 S10 & S15, 3.73	RAA440-1371F [74395]	03-'05 Trailblazer & Envoy, 4.11
RAA440-1364E [79646]	83-'87 S10 & S15, 4.11	RAA440-1389A [70744]	03-'14 van, 3.42
RAA440-1364F [75551]	88-'89 S10 & S15, non-ZR2, 3.08	RAA440-1389B [74536]	03-'14 van, 3.73
RAA440-1364G [71632]	88-'89 S10 & S15, non-ZR2, 3.42	RAA440-176A [79169]	1997 Blazer & Bravada, AWD, 3.73
RAA440-1364H [70459]	88-'89 S10 & S15, non-ZR2, 3.73	RAA440-176B [72890]	1997 S10 & S15, AWD, 3.73

GM 7.5"

PART #	Description	PART #	Description
RAA435-114 [76299]	98-'02 Camaro & Firebird, with traction control	RAA435-1795B [71653]	95-'97 Camaro & Firebird, disc brakes, traction control, 3.08
RAA435-1214A [73200]	78-'88 passenger car	RAA435-1795B-P [77249]	95-'97 Camaro & Firebird, disc brakes, traction control, 3.08, posi
RAA435-1214A-P [76258]	78-'88 passenger car, posi	RAA435-1795C [78178]	95-'97 Camaro & Firebird, disc brakes, traction control, 3.23
RAA435-1214B [79446]	78-'88 passenger car	RAA435-1795C-P [76981]	95-'97 Camaro & Firebird, disc brakes, traction control, 3.23, posi
RAA435-1214B-P [76287]	78-'88 passenger car, posi	RAA435-1795D [75608]	95-'97 Camaro & Firebird, disc brakes, traction control, 3.42
RAA435-1404 [77525]	82-'87 Camaro & Firebird, disc brakes, 3.23	RAA435-1795D-P [74090]	95-'97 Camaro & Firebird, disc brakes, traction control, 3.42, posi
RAA435-1404A [78028]	82-'87 Camaro & Firebird, disc brakes, 3.42	RAA435-1795-P [78278]	95-'97 Camaro & Firebird, disc brakes, traction control, posi
RAA435-1404A-P [74102]	82-'87 Camaro & Firebird, disc brakes, 3.42, posi	RAA435-1825A [73610]	95-'97 S10 & S15, 2WD, 3.08
RAA435-1404B [77098]	82-'87 Camaro & Firebird, disc brakes, 3.73	RAA435-1825A-P [73601]	95-'97 S10 & S15, 2WD, 3.08, posi
RAA435-1404B-P [74221]	82-'87 Camaro & Firebird, disc brakes, 3.73, posi	RAA435-1825B [71332]	95-'97 S10 & S15, 2WD, 3.42
RAA435-1404-P [79070]	82-'87 Camaro & Firebird, disc brakes, 3.23, posi	RAA435-1825B-P [71378]	95-'97 S10 & S15, 2WD, 3.42, posi
RAA435-1405 [73737]	82-'87 Camaro & Firebird, drum brakes, 3.23	RAA435-1827A [72177]	95-'97 S10 & S15, 4WD, 3.08
RAA435-1405A [74960]	82-'87 Camaro & Firebird, drum brakes, 3.42	RAA435-1827A-P [70605]	95-'97 S10 & S15, 4WD, 3.08, posi
RAA435-1405A-P [75757]	82-'87 Camaro & Firebird, drum brakes, 3.42, posi	RAA435-1827B [71762]	95-'97 S10 & S15, 4WD, 3.42
RAA435-1405B [71590]	82-'87 Camaro & Firebird, drum brakes, 3.73	RAA435-1827B-P [71861]	95-'97 S10 & S15, 4WD, 3.42, posi
RAA435-1405B-P [75897]	82-'87 Camaro & Firebird, drum brakes, 3.73, posi	RAA435-1827C [74923]	95-'97 S10 & S15, 4WD, 3.73
RAA435-1405-P [72300]	82-'87 Camaro & Firebird, drum brakes, 3.23, posi	RAA435-1827C-P [71599]	95-'97 S10 & S15, 4WD, 3.73, posi
RAA435-1630 [78092]	90-'92 Camaro & Firebird, disc brake, posi	RAA435-1932 [70147]	98-'02 Camaro & Firebird, traction control
RAA435-1630-P [70408]	90-'92 Camaro & Firebird, disc brake, posi	RAA435-1932A [71709]	98-'02 Camaro & Firebird, traction control, 2.73
RAA435-1647 [70201]	93-'97 Camaro & Firebird, drum brake	RAA435-1932A-P [72178]	98-'02 Camaro & Firebird, traction control, 2.73, posi
RAA435-1647A [73205]	93-'97 Camaro & Firebird, drum brake, 2.73	RAA435-1932B [73066]	98-'02 Camaro & Firebird, traction control, 3.08
RAA435-1647A-P [77071]	93-'97 Camaro & Firebird, drum brake, 2.73, posi	RAA435-1932B-P [73671]	98-'02 Camaro & Firebird, traction control, 3.08, posi
RAA435-1647B [78860]	93-'97 Camaro & Firebird, drum brake, 3.08	RAA435-1932C [72584]	98-'02 Camaro & Firebird, traction control, 3.23
RAA435-1647B-P [75682]	93-'97 Camaro & Firebird, drum brake, 3.08, posi	RAA435-1932C-P [74569]	98-'02 Camaro & Firebird, traction control, 3.23, posi
RAA435-1647C [70492]	93-'97 Camaro & Firebird, drum brake, 3.23	RAA435-1932D [75181]	98-'02 Camaro & Firebird, traction control, 3.42
RAA435-1647C-P [75780]	93-'97 Camaro & Firebird, drum brake, 3.23, posi	RAA435-1932D-P [72666]	98-'02 Camaro & Firebird, traction control, 3.42, posi
RAA435-1647D [76266]	93-'97 Camaro & Firebird, drum brake, 3.42	RAA435-1932-P [79528]	98-'02 Camaro & Firebird, traction control
RAA435-1647D-P [71504]	93-'97 Camaro & Firebird, drum brake, 3.42, posi	RAA435-1933 [77582]	98-'02 Camaro & Firebird, traction control
RAA435-1647-P [70623]	93-'97 Camaro & Firebird, drum brake	RAA435-1933A [72463]	98-'02 Camaro & Firebird, non-traction control
RAA435-1648 [77339]	93-'97 Camaro & Firebird, disc brake	RAA435-1933A-P [75677]	98-'02 Camaro & Firebird, non-traction control, 2.73
RAA435-1648A [72854]	93-'97 Camaro & Firebird, disc brake, 2.73	RAA435-1933B [71439]	98-'02 Camaro & Firebird, non-traction control, 2.73, posi
RAA435-1648A-P [71492]	93-'97 Camaro & Firebird, disc brake, 2.73, posi	RAA435-1933B-P [78641]	98-'02 Camaro & Firebird, non-traction control, 3.08
RAA435-1648B [70578]	93-'97 Camaro & Firebird, disc brake, 3.08		
RAA435-1648B-P [76795]	93-'97 Camaro & Firebird, disc brake, 3.08, posi		
RAA435-1648C [70033]	93-'97 Camaro & Firebird, disc brake, 3.23		
RAA435-1648C-P [71069]	93-'97 Camaro & Firebird, disc brake, 3.23, posi		
RAA435-1648D [78817]	93-'97 Camaro & Firebird, disc brake, 3.42		
RAA435-1648D-P [72712]	93-'97 Camaro & Firebird, disc brake, 3.42, posi		
RAA435-1648-P [79479]	93-'97 Camaro & Firebird, disc brake, posi		
RAA435-1795 [73943]	95-'97 Camaro & Firebird, disc brakes, traction control		
RAA435-1795A [74491]	95-'97 Camaro & Firebird, disc brakes, traction control, 2.73		
RAA435-1795A-P [76872]	95-'97 Camaro & Firebird, disc brakes, traction control, 2.73, posi		

GM 7.5" (Cont.)

PART #	Description	PART #	Description
RAA435-1933C [75870]	98-'02 Camaro & Firebird, non-traction control, 3.08, posi	RAA435-2102C [79050]	94-'97 S10, S15 & Sonoma, 2WD, w/ 3rd shock, 3.73
RAA435-1933C-P [78130]	98-'02 Camaro & Firebird, non-traction control, 3.23	RAA435-2102C-P [73151]	94-'97 S10, S15 & Sonoma, 2WD, w/ 3rd shock, 3.73, posi
RAA435-1933D [73127]	98-'02 Camaro & Firebird, non-traction control, 3.23, posi	RAA435-2102D [70679]	94-'97 S10, S15 & Sonoma, 2WD, w/ 3rd shock, 4.11
RAA435-1933D-P [71614]	98-'02 Camaro & Firebird, non-traction control, 3.42	RAA435-2102D-P [71034]	94-'97 S10, S15 & Sonoma, 2WD, w/ 3rd shock, 4.11, posi
RAA435-1933-P [72101]	98-'02 Camaro & Firebird, non-traction control, 3.42, posi	RAA435-2102E [76972]	98-'03 S10, S15 & Sonoma, 2WD, non-sport package, w/ 3rd shock, 3.08
RAA435-1934A [77787]	98-'00 S10 & S15, 2WD, 3.08	RAA435-2102E-P [78268]	98-'03 S10, S15 & Sonoma, 2WD, non-sport package, w/ 3rd shock, 3.08, posi
RAA435-1934A-P [73280]	98-'00 S10 & S15, 2WD, 3.08, posi	RAA435-2102F [79499]	98-'03 S10, S15 & Sonoma, 2WD, non-sport package, w/ 3rd shock, 3.42
RAA435-1934B [74286]	98-'05 S10 & S15, 2WD, 3.42	RAA435-2102F-P [70541]	98-'03 S10, S15 & Sonoma, 2WD, non-sport package, w/ 3rd shock, 3.42, posi
RAA435-1934B-P [73129]	98-'05 S10 & S15, 2WD, 3.42, posi	RAA435-2102G [71154]	98-'03 S10, S15 & Sonoma, 2WD, non-sport package, w/ 3rd shock, 3.73
RAA435-1936A [71190]	98-'05 S10 & S15, 4WD, 3.08	RAA435-2102G-P [70042]	98-'03 S10, S15 & Sonoma, 2WD, non-sport package, w/ 3rd shock, 3.73, posi
RAA435-1936A-P [78884]	98-'05 S10 & S15, 4WD, 3.08, posi	RAA435-2102H [76160]	98-'03 S10, S15 & Sonoma, 2WD, non-sport package, w/ 3rd shock, 4.11
RAA435-1936B [70442]	98-'05 S10, 3.42	RAA435-2102H-P [74821]	98-'03 S10, S15 & Sonoma, 2WD, non-sport package, w/ 3rd shock, 4.11, posi
RAA435-1936B-P [76369]	98-'05 S10, 3.42, posi	RAA435-2110C [70327]	83-'97 S10, 3.42
RAA435-1936C [76426]	98-'05 S10, 3.73	RAA435-2110C-P [78941]	83-'97 S10, 3.42, posi
RAA435-1936C-P [79473]	98-'05 S10, 3.73, posi	RAA435-2110D [78681]	83-'97 S10, 3.73
RAA435-1944A [74304]	98-'99 Bravada, 3.42	RAA435-2110D-P [71290]	83-'97 S10, 3.73, posi
RAA435-1944A-P [74215]	98-'99 Bravada, 3.42, posi	RAA435-2110E [72381]	83-'97 S10, 4.11
RAA435-1944B [77769]	98-'99 Bravada, 3.73	RAA435-2110E-P [79333]	83-'97 S10, 4.11, posi
RAA435-1944B-P [73253]	98-'99 Bravada, 3.73, posi	RAA435-2111A [74869]	90-'03 Astro & Safari van, 4 wheel ABS, 3.23
RAA435-1965A [75768]	98-'03 S10 & S15, 2WD, chassis package, 3.08	RAA435-2111A-P [72948]	90-'03 Astro & Safari van, 4 wheel ABS, 3.23, posi
RAA435-1965A-P [72439]	98-'03 S10 & S15, 2WD, chassis package, 3.08, posi	RAA435-2111B [78391]	90-'03 Astro & Safari van, 4 wheel ABS, 3.42
RAA435-1965B [70691]	98-'03 S10 & S15, 2WD, chassis package, 3.42	RAA435-2111B-P [74766]	90-'03 Astro & Safari van, 4 wheel ABS, 3.42, posi
RAA435-1965B-P [78021]	98-'03 S10 & S15, 2WD, chassis package, 3.42, posi	RAA435-2111C [77636]	90-'03 Astro & Safari van, 4 wheel ABS, 3.73
RAA435-1965C [79727]	98-'03 S10 & S15, 2WD, chassis package, 3.73	RAA435-2111C-P [70227]	90-'03 Astro & Safari van, 4 wheel ABS, 3.73, posi
RAA435-1965C-P [71780]	98-'03 S10 & S15, 2WD, chassis package, 3.73, posi	RAA435-2111D [73847]	85-'86 Astro & Safari van, 2.56
RAA435-1965D [73515]	98-'03 S10 & S15, 2WD, chassis package, 4.11	RAA435-2111D-P [79168]	85-'86 Astro & Safari van, 2.56, posi
RAA435-1965D-P [77156]	98-'03 S10 & S15, 2WD, chassis package, 4.11, posi	RAA435-2111E [79237]	85-'89 Astro & Safari van, 2.73
RAA435-2098A [74269]	98-'03 S10 & S15, 4WD, 3.08	RAA435-2111E-P [70662]	85-'89 Astro & Safari van, 2.73, posi
RAA435-2098A-P [78579]	98-'03 S10 & S15, 4WD, 3.08, posi	RAA435-2111F [70597]	85-'89 Astro & Safari van, 3.08
RAA435-2098B [74688]	98-'03 S10 & S15, 4WD, 3.42	RAA435-2111F-P [75620]	85-'89 Astro & Safari van, 3.08, posi
RAA435-2098B-P [70712]	98-'03 S10 & S15, 4WD, 3.42, posi	RAA435-2111G [71004]	85-'95 Astro & Safari van, 3.08
RAA435-2098C [71505]	98-'03 S10 & S15, 4WD, 3.73	RAA435-2111G-P [76427]	85-'95 Astro & Safari van, 3.08, posi
RAA435-2098C-P [77733]	98-'03 S10 & S15, 4WD, 3.73, posi	RAA435-2111H [73287]	85-'95 Astro & Safari van, 3.42
RAA435-2099H [78783]	98-'03 S10 & S15, 4WD, w/o 3rd shock, 3.08	RAA435-2111H-P [75716]	85-'95 Astro & Safari van, 3.42, posi
RAA435-2099H-P [75412]	98-'03 S10 & S15, 4WD, w/o 3rd shock, 3.08, posi	RAA435-2111J [79672]	85-'95 Astro & Safari van, 3.73
RAA435-2099J [76641]	98-'03 S10 & S15, 4WD, w/o 3rd shock, 3.42	RAA435-2111J-P [74406]	85-'95 Astro & Safari van, 3.73, posi
RAA435-2099J-P [76760]	98-'03 S10 & S15, 4WD, w/o 3rd shock, 3.42, posi	RAA435-2111K [75297]	85-'95 Astro & Safari van, 4.11
RAA435-2099K [70366]	98-'03 S10 & S15, 4WD, w/o 3rd shock, 3.73	RAA435-2111K-P [75369]	85-'95 Astro & Safari van, 4.11, posi
RAA435-2099K-P [77315]	98-'03 S10 & S15, 4WD, w/o 3rd shock, 3.73, posi	RAA435-2111M [76904]	85-'87 Astro & Safari van, 4.11
RAA435-2099M [79224]	98-'03 S10 & S15, 4WD, w/o 3rd shock, 4.11	RAA435-2111M-P [70974]	85-'87 Astro & Safari van, 4.11, posi
RAA435-2099M-P [75029]	98-'03 S10 & S15, 4WD, w/o 3rd shock, 4.11, posi	RAA435-2111N [77639]	95-'00 Astro & Safari van, 4 wheel ABS, 3.23
RAA435-2099U [73120]	98-'03 S10 & S15, 4WD, w/o sport package or 3rd shock, 3.08	RAA435-2111N-P [73527]	95-'00 Astro & Safari van, 4 wheel ABS, 3.23, posi
RAA435-2099U-P [75637]	98-'03 S10 & S15, 4WD, w/o sport package or 3rd shock, 3.08, posi	RAA435-2111P [74554]	95-'00 Astro & Safari van, 4 wheel ABS, 3.42
RAA435-2099V [77299]	98-'03 S10 & S15, 4WD, w/o sport package or 3rd shock, 3.42	RAA435-2111P-P [72761]	95-'00 Astro & Safari van, 4 wheel ABS, 3.42, posi
RAA435-2099V-P [74123]	98-'03 S10 & S15, 4WD, w/o sport package or 3rd shock, 3.42, posi	RAA435-2111Q [70136]	95-'00 Astro & Safari van, 4 wheel ABS, 3.73
RAA435-2099W [71073]	98-'03 S10 & S15, 4WD, w/o sport package or 3rd shock, 3.73	RAA435-2111Q-P [71518]	95-'00 Astro & Safari van, 4 wheel ABS, 3.73, posi
RAA435-2099W-P [70118]	98-'03 S10 & S15, 4WD, w/o sport package or 3rd shock, 3.73, posi	RAA435-2148A [77703]	2003 Astro & Safari van, 3.42
RAA435-2099X [75147]	98-'03 S10 & S15, 4WD, w/o sport package or 3rd shock, 4.11	RAA435-2148A-P [70983]	2003 Astro & Safari van, 3.42, posi
RAA435-2099X-P [78714]	98-'03 S10 & S15, 4WD, w/o sport package or 3rd shock, 4.11, posi	RAA435-2148B [74513]	2003 Astro & Safari van, 3.73
RAA435-2102A [71449]	94-'97 S10, S15 & Sonoma, 2WD, w/ 3rd shock, 3.08	RAA435-2148B-P [74941]	2003 Astro & Safari van, 3.73, posi
RAA435-2102A-P [79159]	94-'97 S10, S15 & Sonoma, 2WD, w/ 3rd shock, 3.08, posi	RAA435-214B-P [73882]	2003 Astro & Safari van, 3.73, posi
RAA435-2102B [72802]	94-'97 S10, S15 & Sonoma, 2WD, w/ 3rd shock, 3.42	RAA435-2212A [76761]	03-'05 Astro & Safari van, 3.42
RAA435-2102B-P [71172]	94-'97 S10, S15 & Sonoma, 2WD, w/ 3rd shock, 3.42, posi	RAA435-2212A-P [76762]	03-'05 Astro & Safari van, 3.42, posi
		RAA435-2212B [72397]	03-'05 Astro & Safari van, 3.73
		RAA435-2212B-P [79536]	03-'05 Astro & Safari van, 3.73, posi

GM 7.6IFS

PART #	Description	PART #	Description
RAA440-130 [70137]	07-'12 Yukon & Escalade, AWD, 3.42	RAA440-1336B [75178]	99-'06 1500, disc brake, 4.11
RAA440-131A [77411]	07-'13 Silverado, Sierra, Yukon & Suburban, 3.42	RAA440-1336B-BARE [77232]	88-'07 1500, RH needle bearing
RAA440-131B [76335]	07-'13 Silverado, Sierra, Yukon & Suburban, 3.73	RAA440-1362 [76344]	01-'05 1500, AWD, 3.73
RAA440-131C [70376]	07-'13 Silverado, Sierra, Yukon & Suburban, 4.11	RAA440-1362B [73481]	01-'05 1500, AWD, 4.11
RAA440-131C-BARE [79097]	07-'13 Silverado, Sierra, Yukon & Suburban	RAA440-1362-BARE [74785]	01-'07 1500
RAA440-131D [77795]	07-'13 Silverado, Sierra, Yukon & Suburban, 3.08	RAA440-1388 [70985]	02-'05 Sierra & Silverado 1500, AWD, 4.11
RAA440-131D-BARE [71579]	07-'13 Silverado, Sierra, Yukon & Suburban	RAA440-1437 [71972]	99-'06 Sierra & Silverado 1500, 3.42
RAA440-1336A [79689]	99-'06 1500, disc brake, 3.73	RAA440-1438 [73670]	2005 Tahoe & Yukon, AWD, 3.42
RAA440-1336A-BARE [75590]	88-'07 1500, RH needle bearing		

GM 7.75IRS

PART #	Description	PART #	Description
RAA440-1404 [75349]	05-'06 GTO, 3.46	RAA440-159 [71112]	2004 GTO

GM 8.0"

PART #	Description	PART #	Description
RAA435-184 [78590]	09-'12 Colorado & Canyon, 2WD, 3.42		4.11, posi
RAA435-184-P [70226]	09-'12 Colorado & Canyon, 2WD, 3.42, posi	RAA435-2119B [70843]	02-'05 Envoy & Trailblazer, 3.73
RAA435-187 [71987]	09-'12 Colorado & Canyon, 3.73	RAA435-2119B-P [74862]	02-'05 Envoy & Trailblazer, 3.73, posi
RAA435-187-P [73421]	09-'12 Colorado & Canyon, 3.73, posi	RAA435-2215A [71402]	04-'08 Colorado & Canyon, 2WD, 3.42
RAA435-2118A [72076]	02-'05 Envoy & Trailblazer, 3.42	RAA435-2215A-P [70695]	04-'08 Colorado & Canyon, 2WD, 3.42, posi
RAA435-2118A-P [74216]	02-'05 Envoy & Trailblazer, 3.42, posi	RAA435-2215B [73620]	04-'08 Colorado & Canyon, 2WD, 3.73
RAA435-2118B [79252]	02-'05 Envoy & Trailblazer, 3.73	RAA435-2215B-P [70598]	04-'08 Colorado & Canyon, 2WD, 3.73, posi
RAA435-2118B-P [79591]	02-'05 Envoy & Trailblazer, 3.73, posi	RAA435-2215C [76838]	04-'08 Colorado & Canyon, 2WD, 4.11
RAA435-2118B-P-OEM [78491]	1500, 3.73, posi	RAA435-2215C-P [74987]	04-'08 Colorado & Canyon, 2WD, 4.11, posi
RAA435-2118C [72954]	02-'05 Envoy & Trailblazer, 4.11	RAA435-2216A [70692]	04-'08 Colorado & Canyon Z85, 2WD, 3.42
RAA435-2118C-P [78180]	02-'05 Envoy & Trailblazer, 4.11, posi	RAA435-2216A-P [73860]	04-'08 Colorado & Canyon Z85, 2WD, 3.42, posi
RAA435-2118C-P-OEM [77670]	1500, 4.11, posi	RAA435-2216B [76680]	04-'08 Colorado & Canyon, 2WD, 3.73
RAA435-2118D [71657]	06-'09 Envoy & Trailblazer, ABS in axle tube, 3.42	RAA435-2216B-P [74334]	04-'08 Colorado & Canyon, 2WD, 3.73, posi
RAA435-2118D-P [75072]	06-'09 Envoy & Trailblazer, ABS in axle tube, 3.42, posi	RAA435-2217A [74610]	04-'08 Colorado & Canyon ZQ8, 2WD, 3.42
RAA435-2118E [75131]	06-'09 Envoy & Trailblazer, ABS in axle tube, 3.73	RAA435-2217A-P [73785]	04-'08 Colorado & Canyon ZQ8, 2WD, 3.42, posi
RAA435-2118E-P [72320]	06-'09 Envoy & Trailblazer, ABS in axle tube, 3.73, posi	RAA435-2217B [78413]	04-'08 Colorado & Canyon, 2WD, 3.73
RAA435-2118F [72521]	06-'09 Envoy & Trailblazer, ABS in axle tube, 4.11	RAA435-2217B-P [79463]	04-'08 Colorado & Canyon, 2WD, 3.73, posi
RAA435-2118F-P [78314]	06-'09 Envoy & Trailblazer, ABS in axle tube,	RAA435-2340 [78452]	15-'16 Canyon & Colorado, 3.42
		RAA435-2340-P [74918]	15-'16 Canyon & Colorado, 3.42, posi

GM 8.2"

PART #	Description	PART #	Description
RAA435-921A [74843]	73-'75 passenger car	RAA435-941A [79127]	68-'72 passenger car
RAA435-921A-P [71964]	73-'75 passenger car, posi	RAA435-941A-P [78359]	68-'72 passenger car, posi

GM 8.25"

PART #	Description	PART #	Description
RAA440-130 [70137]	07-'12 Yukon & Escalade, AWD, 3.42	RAA440-1336B [75178]	99-'06 1500, disc brake, 4.11
RAA440-131A [77411]	07-'13 Silverado, Sierra, Yukon & Suburban, 3.42	RAA440-1336B-BARE [77232]	88-'07 1500, RH needle bearing
RAA440-131B [76335]	07-'13 Silverado, Sierra, Yukon & Suburban, 3.73	RAA440-1362 [76344]	01-'05 1500, AWD, 3.73
RAA440-131C [70376]	07-'13 Silverado, Sierra, Yukon & Suburban, 4.11	RAA440-1362B [73481]	01-'05 1500, AWD, 4.11
RAA440-131C-BARE [79097]	07-'13 Silverado, Sierra, Yukon & Suburban	RAA440-1362-BARE [74785]	01-'07 1500
RAA440-131D [77795]	07-'13 Silverado, Sierra, Yukon & Suburban, 3.08	RAA440-1388 [70985]	02-'05 Sierra & Silverado 1500, AWD, 4.11
RAA440-131D-BARE [71579]	07-'13 Silverado, Sierra, Yukon & Suburban	RAA440-1437 [71972]	99-'06 Sierra & Silverado 1500, 3.42
RAA440-1336A [79689]	99-'06 1500, disc brake, 3.73	RAA440-1438 [73670]	2005 Tahoe & Yukon, AWD, 3.42
RAA440-1336A-BARE [75590]	88-'07 1500, RH needle bearing		

GM 8.25IFS

PART #	Description	PART #	Description
RAA435-218 [78099]	09-'10 Van 2500, active brake, 3.73	RAA440-1477 [71559]	13-'14 1500, 3.08
RAA440-1472 [73866]	13-'14 1500, 3.42	RAA440-1478 [73011]	13-'14 1500, 3.42

GM 8.5"

PART #	Description	PART #	Description
RAA435-1077C [78955]	88-'95 1500 & 2500 Van	RAA435-1834B [70223]	1995 Tahoe & Yukon, 2WD, 2 door, 3.42
RAA435-1077C-P [77253]	88-'95 1500 & 2500 Van, posi	RAA435-1834B-P [77590]	1995 Tahoe & Yukon, 2WD, 2 door, 3.42, posi
RAA435-1215B [75422]	78-'89 Suburban, 2WD, 2.73	RAA435-1834C [73136]	1995 Tahoe & Yukon, 2WD, 2 door, 3.73
RAA435-1215B-P [73322]	78-'89 Suburban, 2WD, 2.73, posi	RAA435-1834C-P [78195]	1995 Tahoe & Yukon, 2WD, 2 door, 3.73, posi
RAA435-1215C [78623]	78-'89 Suburban, 2WD, 3.08	RAA435-1837A [74854]	95-'99 Suburban 1500, 5 lug, 3.42
RAA435-1215C-P [72412]	78-'89 Suburban, 2WD, 3.08, posi	RAA435-1837A-P [71325]	95-'99 Suburban 1500, 5 lug, 3.42, posi
RAA435-1215D [73857]	78-'89 Suburban, 2WD, 3.42	RAA435-1837B [72907]	95-'99 Suburban 1500, 5 lug, 3.73
RAA435-1215D-P [74723]	78-'89 Suburban, 2WD, 3.42, posi	RAA435-1837B-P [71148]	95-'99 Suburban 1500, 5 lug, 3.73, posi
RAA435-1215E [78335]	78-'89 Suburban, 2WD, 3.73	RAA435-1868 [72484]	96-'97 S10 & S15 ZR2, 3.42
RAA435-1215E-P [70065]	78-'89 Suburban, 2WD, 3.73, posi	RAA435-1868-P [74122]	96-'97 S10 & S15 ZR2, 3.42, posi
RAA435-1249B [73162]	81-'87 P/U, 4WD, 2.73	RAA435-1869 [72349]	96-'02 Van 1500
RAA435-1249B-P [71484]	81-'87 P/U, 4WD, 2.73, posi	RAA435-1869-P [74529]	96-'02 Van 1500, posi
RAA435-1249C [77344]	81-'91 Suburban 1500, 3.08	RAA435-1935 [76731]	98-'05 S10 & S15, 2WD, 3.42
RAA435-1249C-P [78236]	81-'91 Suburban 1500, 3.08, posi	RAA435-1935-P [72831]	98-'05 S10 & S15, 2WD, 3.42, posi
RAA435-1249D [72228]	81-'91 Suburban 1500, 3.42	RAA435-1937 [74547]	98-'05 S10, 3.73
RAA435-1249D-P [77977]	81-'91 Suburban 1500, 3.42, posi	RAA435-1937-P [71692]	98-'05 S10, 3.73, posi
RAA435-1249E [75176]	81-'91 Suburban 1500, 3.73	RAA435-1938 [74699]	98-'05 S10, 3.42
RAA435-1249E-P [78772]	81-'91 Suburban 1500, 3.73, posi	RAA435-1938-P [76970]	98-'05 S10 & S15, 3.42, posi
RAA435-1510A [74541]	88-'90 1500, 2WD, 2.73	RAA435-1938-P-OEM [79565]	F350, 4WD, 3.42, posi
RAA435-1510A-P [77962]	88-'90 1500, 2WD, 2.73, posi	RAA435-2062 [73888]	94-'97 S10 & S15 ZR2, 3.73
RAA435-1510B [78660]	88-'99 1500, 2WD, 3.08	RAA435-2062-P [75827]	94-'97 S10 & S15 ZR2, 3.73, posi
RAA435-1510B-P [78288]	88-'99 1500, 2WD, 3.08, posi	RAA435-2063 [73145]	94-'97 S10 & S15, 3.73
RAA435-1510C [73654]	88-'99 1500, 2WD, 3.42	RAA435-2063-P [73068]	94-'97 S10 & S15, 3.73, posi
RAA435-1510C-P [79360]	88-'99 1500, 2WD, 3.42, posi	RAA435-2064 [71753]	98-'03 S10 ZR2, 4WD, 3.73
RAA435-1510D [71690]	88-'99 1500, 2WD, 3.73	RAA435-2064-P [77266]	98-'03 S10 ZR2, 4WD, 3.73, posi
RAA435-1510D-P [74528]	88-'99 1500, 2WD, 3.73, posi	RAA435-2065 [72256]	98-'03 S10 ZR2, 4WD, 3.42
RAA435-1510E [75145]	88-'99 1500, 2WD, 4.11	RAA435-2065-P [77649]	98-'03 S10 ZR2, 4WD, 3.42, posi
RAA435-1510E-P [70286]	88-'99 1500, 2WD, 4.11, posi	RAA435-2103A [78744]	98-'00 Yukon & Tahoe, 4 door, w/ sway bar, 3.08
RAA435-1513A [78148]	88-'99 1500, 4WD, 3.42	RAA435-2103A-P [74897]	98-'00 Yukon & Tahoe, 4 door, w/ sway bar, 3.08, posi
RAA435-1513A-P [77789]	88-'99 1500, 4WD, 3.42, posi	RAA435-2103B [79154]	98-'00 Yukon & Tahoe, 4 door, w/ sway bar, 3.42
RAA435-1513B [74364]	88-'99 1500, 4WD, 3.73	RAA435-2103B-P [72340]	98-'00 Yukon & Tahoe, 4 door, w/ sway bar, 3.42, posi
RAA435-1513B-P [72499]	88-'99 1500, 4WD, 3.73, posi	RAA435-2103C [76652]	98-'00 Yukon & Tahoe, 4 door, w/ sway bar, 3.73
RAA435-1513C [76073]	88-'99 1500, 4WD, 4.11	RAA435-2103C-P [78149]	98-'00 Yukon & Tahoe, 4 door, w/ sway bar, 3.73, posi
RAA435-1513C-P [79625]	88-'99 1500, 4WD, 4.11, posi	RAA435-2103D [77079]	98-'00 Yukon & Tahoe, 4 door, w/o sway bar, 3.08
RAA435-1651A [77352]	92-'94 Suburban, 1500, 2WD, 3.42	RAA435-2103D-P [77650]	98-'00 Yukon & Tahoe, 4 door, w/o sway bar, 3.08, posi
RAA435-1651A-P [77878]	92-'94 Suburban, 1500, 2WD, 3.42, posi	RAA435-2103E [70784]	98-'00 Yukon & Tahoe, 4 door, w/o sway bar, 3.42
RAA435-1651B [79520]	92-'94 Suburban, 1500, 2WD, 3.73	RAA435-2103E-P [76289]	98-'00 Yukon & Tahoe, 4 door, w/o sway bar, 3.42, posi
RAA435-1651B-P [72049]	92-'94 Suburban, 1500, 2WD, 3.73, posi	RAA435-2103F [73721]	98-'00 Yukon & Tahoe, 4 door, w/o sway bar, 3.73
RAA435-1652A [75555]	92-'99 GM 1500, 4WD, 6 lug, 3.42	RAA435-2103F-P [73175]	98-'00 Yukon & Tahoe, 4 door, w/o sway bar, 3.73, posi
RAA435-1652A-P [75907]	92-'99 GM 1500, 4WD, 6 lug, 3.42, posi	RAA435-2119A [79500]	02-'05 Envoy & Trailblazer, 3.42
RAA435-1652B [74730]	92-'99 GM 1500, 4WD, 6 lug, 3.73	RAA435-2119A-OEM [78197]	GMC 1500, 3.42
RAA435-1652B-P [77745]	92-'99 GM 1500, 4WD, 6 lug, 3.73, posi	RAA435-2119A-P [78094]	02-'05 Envoy & Trailblazer, 3.42, posi
RAA435-1793 [76896]	93-'96 Fleetwood	RAA435-2119C [70066]	02-'09 Trailblazer, 4.10
RAA435-1793-P [73754]	93-'96 Fleetwood, posi	RAA435-2119C-P [73229]	02-'09 Trailblazer, 4.10, posi
RAA435-1797 [76075]	94-'96 Caprice	RAA435-2119D [77277]	02-'09 Trailblazer, 3.42
RAA435-1797-P [72724]	94-'96 Caprice, posi	RAA435-2119D-P [71523]	02-'09 Trailblazer, 3.42, posi
RAA435-1820A [70196]	95-'97 S10, S15 & Sonoma, 2WD, 3.08	RAA435-2119E [72786]	06-'09 Envoy & Trailblazer, 3.73
RAA435-1820A-P [77747]	95-'97 S10, S15 & Sonoma, 2WD, 3.08, posi	RAA435-2119E-P [72725]	06-'09 Envoy & Trailblazer, 3.73, posi
RAA435-1820B [72183]	98-'03 S10, S15 & Sonoma, 2WD, 3.08	RAA435-2119F [78753]	06-'09 Envoy & Trailblazer, 4.11
RAA435-1820B-P [77502]	98-'03 S10, S15 & Sonoma, 2WD, 3.08, posi	RAA435-2119F-P [74438]	06-'09 Envoy & Trailblazer, 4.11, posi
RAA435-1826 [78867]	95-'97 S10 & S15, 2WD, 3.42		
RAA435-1826-P [73208]	95-'97 S10 & S15, 2WD, 3.42, posi		
RAA435-1828 [71874]	95-'97 S10 & S15, 2WD, 3.42		
RAA435-1828-P [71320]	95-'97 S10 & S15, 2WD, 3.42, posi		
RAA435-1834A [76475]	1995 Tahoe & Yukon, 2WD, 2 door, 3.08		
RAA435-1834A-P [71959]	1995 Tahoe & Yukon, 2WD, 2 door, 3.08, posi		

AXLE ASSEMBLIES

PART #	Description	PART #	Description
RAA435-105A [79396]	07-'08 Suburban 1500, 3.23	RAA435-2176A [75892]	03-'05 P/U 1500, 2WD, 3.42
RAA435-105A-P [78129]	07-'08 Suburban 1500, 3.23, posi	RAA435-2176A-P [72136]	03-'05 P/U 1500, 2WD, 3.42, posi
RAA435-105B [70447]	07-'08 Suburban 1500, 3.42	RAA435-2176B [73076]	03-'05 P/U 1500, 2WD, 3.73
RAA435-105B-P [76741]	07-'08 Suburban 1500, 3.42, posi	RAA435-2176B-P [75940]	03-'05 P/U 1500, 2WD, 3.73, posi
RAA435-105C [73295]	07-'08 Suburban 1500, 3.73	RAA435-2176C [79320]	03-'05 P/U 1500, 2WD, 4.11
RAA435-105C-P [74729]	07-'08 Suburban 1500, 3.73, posi	RAA435-2176C-P [78715]	03-'05 P/U 1500, 2WD, 4.11, posi
RAA435-105D [79639]	07-'08 Suburban 1500, 4.11	RAA435-2176D [78897]	2005 P/U 1500, 2WD, active brake, 3.23
RAA435-105D-P [70325]	07-'08 Suburban 1500, 4.11, posi	RAA435-2176D-OEM [72696]	2005 P/U 1500, 2WD, active brake, 3.23
RAA435-105E [70072]	07-'08 Suburban 1500, 3.08	RAA435-2176D-P [79568]	2005 P/U 1500, 2WD, active brake, 3.23, posi
RAA435-105E-P [75606]	07-'08 Suburban 1500, 3.08, posi	RAA435-2177A [74599]	03-'05 P/U 1500, 4WD, 3.73
RAA435-141 [76110]	07-'08 Hummer H3, w/Z85 option, 4.56	RAA435-2177A-P [79104]	03-'05 P/U 1500, 4WD, 3.73, posi
RAA435-141-P [78698]	07-'08 Hummer H3, w/Z85 option, 4.56, posi	RAA435-2177B [72933]	03-'05 P/U 1500, 4WD, 4.11
RAA435-142 [73194]	07-'08 Hummer H3, w/Z85 option, 4.56, w/ electric locker	RAA435-2177B-P [74549]	03-'05 P/U 1500, 4WD, 4.11, posi
RAA435-162 [74388]	2008 Express & Savanna van, w/ active brake, 3.73	RAA435-2177C [71911]	03-'05 P/U 1500, 4WD, 3.42
RAA435-162-P [79061]	2008 Express & Savanna van, w/ active brake, 3.73, posi	RAA435-2177C-P [75045]	03-'05 P/U 1500, 4WD, 3.42, posi
RAA435-172A [73583]	09-'11 Yukon & Tahoe, 3.08	RAA435-2185A [79521]	03-'07 Van 1500, 3.42
RAA435-172A-P [75346]	09-'11 Yukon & Tahoe, 3.08, posi	RAA435-2185A-P [76153]	03-'07 Van 1500, 3.42, posi
RAA435-172B [72775]	09-'11 Yukon & Tahoe, 3.23	RAA435-2185B [73664]	03-'07 Van 1500, 3.73
RAA435-172B-P [75846]	09-'11 Yukon & Tahoe, 3.23, posi	RAA435-2185B-P [77970]	03-'07 Van 1500, 3.73, posi
RAA435-172C [71435]	09-'11 Yukon & Tahoe, 3.42	RAA435-2189-P [71022]	03-'04 P/U 1500, 4.11, posi
RAA435-172C-P [71983]	09-'11 Yukon & Tahoe, 3.42, posi	RAA435-2213A [72795]	03-'05 SSR, 3.73
RAA435-172D [74355]	09-'11 Yukon & Tahoe, 3.73	RAA435-2213B [77450]	03-'05 SSR, 3.73
RAA435-172D-P [72262]	09-'11 Yukon & Tahoe, 3.73, posi	RAA435-221A [77243]	09-'14 Van 1500, active brake, 3.42
RAA435-185A [73887]	09-'12 Colorado & Canyon, 3.42	RAA435-221A-P [78654]	09-'14 Van 1500, active brake, 3.42, posi
RAA435-185A-P [77254]	09-'12 Colorado & Canyon, 3.42, posi	RAA435-221B [77929]	09-'14 Van 1500, active brake, 3.73
RAA435-185B [77830]	09-'12 Colorado & Canyon, 3.73	RAA435-221B-P [71316]	09-'14 Van 1500, active brake, 3.73, posi
RAA435-185B-P [70708]	09-'12 Colorado & Canyon, 3.73, posi	RAA435-222A [71646]	09-'10 Van 1500, non-active brake, 3.42
RAA435-185C [74064]	09-'12 Colorado & Canyon, 4.11	RAA435-222A-P [70513]	09-'10 Van 1500, non-active brake, 3.42, posi
RAA435-185C-P [74995]	09-'12 Colorado & Canyon, 4.11, posi	RAA435-222B [75428]	09-'10 Van 1500, non-active brake, 3.73
RAA435-1953A [77984]	99-'05 1500, non-crew cab, 3.42	RAA435-222B-P [73278]	09-'10 Van 1500, non-active brake, 3.73, posi
RAA435-1953A-P [79543]	99-'05 1500, non-crew cab, 3.42, posi	RAA435-2235A [74391]	2004 1500 crew cab, 6 lug, 3.42
RAA435-1953B [74485]	99-'05 1500, non-crew cab, 3.73	RAA435-2235A-P [77504]	2004 1500 crew cab, 6 lug, 3.42, posi
RAA435-1953B-P [76091]	99-'05 1500, non-crew cab, 3.73, posi	RAA435-2235B [78812]	2004 1500 crew cab, 6 lug, 3.73
RAA435-1953C [75890]	99-'05 1500, non-crew cab, 3.23	RAA435-2235B-P [73288]	2004 1500 crew cab, 6 lug, 3.73, posi
RAA435-1953C-P [78861]	99-'05 1500, non-crew cab, 3.23, posi	RAA435-2235C [73505]	2004 1500 crew cab, 6 lug, 4.11
RAA435-1955A [71675]	99-'05 1500, non-crew cab, 3.08	RAA435-2235C-P [77603]	2004 1500 crew cab, 6 lug, 4.11, posi
RAA435-1955A-P [70525]	99-'05 1500, non-crew cab, 3.08, posi	RAA435-2236 [73472]	2004 1500, 3.73
RAA435-1955B [75968]	99-'05 Sierra & Silverado, non-crew cab, 3.42	RAA435-2236-P [74917]	2004 1500, 3.73, posi
RAA435-1955B-P [74172]	99-'05 Sierra & Silverado, non-crew cab, 3.42, posi	RAA435-2239A [78446]	05-'07 Silverado, drum brake, 3.23
RAA435-1955C [71974]	99-'05 Sierra & Silverado, non-crew cab, 3.73	RAA435-2239A-P [70018]	05-'07 Silverado, drum brake, 3.23, posi
RAA435-1955C-P [72039]	99-'05 Sierra & Silverado, non-crew cab, 3.73, posi	RAA435-2239B [72201]	05-'07 Silverado, drum brake, 3.73
RAA435-1955D [71399]	99-'05 Sierra & Silverado, non-crew cab, 4.11	RAA435-2239B-P [79661]	05-'07 Silverado, drum brake, 3.73, posi
RAA435-1955D-P [75105]	99-'05 Sierra & Silverado, non-crew cab, 4.11, posi	RAA435-2239C [70817]	05-'07 Silverado, drum brake, 3.42
RAA435-1955E [73369]	2005 1500, 2WD, non-crew cab, 3.23	RAA435-2239C-P [78943]	05-'07 Silverado, drum brake, 3.42, posi
RAA435-1955E-P [75644]	2005 1500, 2WD, non-crew cab, 3.23, posi	RAA435-2239D [74349]	05-'07 Silverado, drum brake, 4.11
RAA435-2041A [73705]	00-'05 1500, 3WD, 3.42	RAA435-2239D-P [72567]	05-'07 Silverado, drum brake, 4.11, posi
RAA435-2041A-P [77814]	00-'05 1500, 3WD, 3.42, posi	RAA435-2240A [73542]	05 & up Silverado, drum brake, 3.23
RAA435-2041B [77771]	00-'05 1500, 3WD, 3.73	RAA435-2240A-P [74585]	05 & up Silverado, drum brake, 3.23, posi
RAA435-2041B-P [70999]	00-'05 1500, 3WD, 3.73, posi	RAA435-2240B [71912]	05 & up Silverado, drum brake, 3.73
RAA435-2041C [71545]	00-'05 1500, 3WD, 4.11	RAA435-2240B-OEM [73945]	05 & up Silverado, drum brake, 3.73
RAA435-2041C-P [77889]	00-'05 1500, 3WD, 4.11, posi	RAA435-2240B-P [73771]	05 & up Silverado, drum brake, 3.73, posi
RAA435-2041D [75680]	2005 1500, 2WD, non-active brake, 3.23	RAA435-2240C [78119]	05 & up Silverado, drum brake, 3.42
RAA435-208A [72481]	09-'13 1500, active brake, 3.23	RAA435-2240C-P [74624]	05 & up Silverado, drum brake, 3.42, posi
RAA435-208A-P [78066]	09-'13 1500, active brake, 3.23, posi	RAA435-2240D [78906]	05 & up Silverado, drum brake, 4.11
RAA435-208B [72345]	09-'13 1500, active brake, 3.42	RAA435-2240D-P [72715]	05 & up Silverado, drum brake, 4.11, posi
RAA435-208B-P [78267]	09-'13 1500, active brake, 3.42, posi	RAA435-2251 [72420]	05-'07 Sierra Denali, 4.11, posi
RAA435-208C [75865]	09-'13 1500, active brake, 3.73	RAA435-2251-P [79457]	05-'07 Sierra Denali, 4.11, posi
RAA435-208C-P [75329]	09-'13 1500, active brake, 3.73, posi	RAA435-2257A [70602]	07-'08 Silverado, non-active brake, 3.23
RAA435-208D [73281]	09-'13 1500, active brake, 4.11	RAA435-2257A-P [79653]	07-'08 Silverado, non-active brake, 3.23, posi
RAA435-208D-P [76381]	09-'13 1500, active brake, 4.11, posi	RAA435-2257B [70024]	07-'08 Silverado, non-active brake, 3.42
RAA435-208E [71927]	09-'13 1500, active brake, 3.08	RAA435-2257B-P [77825]	07-'08 Silverado, non-active brake, 3.42, posi
RAA435-208E-P [76507]	09-'13 1500, active brake, 3.08, posi	RAA435-2257C [76306]	07-'08 Silverado, non-active brake, 3.73
RAA435-209A [73100]	09-'13 1500, non-active brake, 3.23	RAA435-2257C-P [79267]	07-'08 Silverado, non-active brake, 3.73, posi
RAA435-209A-P [78131]	09-'13 1500, non-active brake, 3.23, posi	RAA435-2257D [79553]	07-'08 Silverado, non-active brake, 4.10
RAA435-209B [75692]	09-'13 1500, non-active brake, 3.73	RAA435-2257D-P [74543]	07-'08 Silverado, non-active brake, 4.10, posi
RAA435-209B-P [72730]	09-'13 1500, non-active brake, 3.73, posi	RAA435-2258A [70984]	07-'08 Silverado, active brake, 3.23

Continued on next page



GM 8.6" (Cont.)

PART #	Description	PART #	Description
RAA435-2258D [72683]	07-'08 1500 P/U, active brake, 4.10	RAA435-279A [70330]	09-'13 1500 P/U, active brake, 3.08
RAA435-2258D-P [74796]	07-'08 1500 P/U, active brake, 4.10, posi	RAA435-279A-P [75046]	09-'13 1500 P/U, active brake, 3.08, posi
RAA435-2259 [73137]	07-'08 1500 P/U, active brake, 3.42		
RAA435-2259-P [74310]	07-'08 1500 P/U, active brake, 3.42, posi		
RAA435-2313 [72314]	14-'16 Sierra & Silverado, 3.42		

GM 8.6IRS

PART #	Description	PART #	Description
RAA440-212 [79447]	10-'12 Camaro, 3.45, posi	RAA440-213 [73522]	10-'15 Camaro, 3.27, posi

GM 8.25IFS

PART #	Description	PART #	Description
RAA440-1444A [76389]	92-'96 1500, iron tube, w/ pin switch pole, 3.42	RAA440-1444C [78492]	97-'99 1500, iron tube, w/o pin switch pole, 3.42
RAA440-1444A-BARE [74834]	88-'07 1500, RH needle bearing	RAA440-1444D [76839]	97-'99 1500, iron tube, w/o pin switch pole, 3.73
RAA440-1444A-E [77202]	88-'91 1500, aluminum tube, w/ pin switch pole, 3.42	RAA440-1444E [73262]	97-'99 1500, iron tube, w/o pin switch pole, 4.11
RAA440-1444B [74660]	92-'96 1500, iron tube, w/ pin switch pole, 3.73	RAA440-1444E-E [70800]	88-'91 1500, 4.11
RAA440-1444B-E [74581]	88-'91 1500, aluminum tube, w/ pin switch pole, 3.73		

GM 9.25"

PART #	Description	PART #	Description
RAA440-1291A [73457]	95-'99 2500 & 3500, 8 lug, 3.42	RAA440-1291F [71733]	97-'00 2500 & 3500, 8 lug, 3.73
RAA440-1291A-BARE [77125]	88-'10 1500	RAA440-1291G [72442]	97-'00 2500 & 3500, 8 lug, 4.11
RAA440-1291B [73916]	95-'99 2500 & 3500, 8 lug, 3.73	RAA440-1291H [73230]	97-'00 2500 & 3500, 8 lug, 4.56
RAA440-1291B-BARE [72494]	88-'10 1500	RAA440-1337A [76769]	99-'08 Silverado & Sierra 2500 & 3500, 8 lug, 3.73
RAA440-1291C [74956]	92-'99 2500 & 3500, 8 lug, 4.11	RAA440-1337B [77729]	99-'08 Silverado & Sierra 2500 & 3500, 8 lug, 4.11
RAA440-1291C-BARE [73636]	88-'10 2500 & 3500	RAA440-1387 [79308]	03-'07 Hummer H2, 4.11
RAA440-1291D [75470]	89-'97 2500 & 3500, 8 lug, 4.56	RAA440-234A [75597]	11-'12 2500 & 3500, 3.73
RAA440-1291E [77717]	97-'00 2500 & 3500, 8 lug, 3.42	RAA440-234B [72079]	11-'12 2500 & 3500, 4.11

GM 9.5"

PART #	Description	PART #	Description
RAA435-1514A [78787]	88-'98 1500, 2WD, 6 lug, 3.42	RAA435-1838A [75489]	95-'99 Suburban 1500, 4WD, 8 lug, 3.42
RAA435-1514A-P [75270]	88-'98 1500, 2WD, 6 lug, 3.42, posi	RAA435-1838A-P [78229]	95-'99 Suburban 1500, 4WD, 8 lug, 3.42, posi
RAA435-1514B [72255]	88-'98 1500, 2WD, 6 lug, 3.73	RAA435-1838B [78731]	95-'99 Suburban 1500, 4WD, 8 lug, 3.73
RAA435-1514B-P [76835]	88-'98 1500, 2WD, 6 lug, 3.73, posi	RAA435-1838B-P [75058]	95-'99 Suburban 1500, 4WD, 8 lug, 3.73, posi
RAA435-1514C [71791]	88-'98 1500, 2WD, 6 lug, 4.11	RAA435-1840A [78844]	95-'99 Suburban 1500, 2WD, 8 lug, 3.42
RAA435-1514C-P [70199]	88-'98 1500, 2WD, 6 lug, 4.11, posi	RAA435-1840A-P [78093]	95-'99 Suburban 1500, 2WD, 8 lug, 3.42, posi
RAA435-1514D [74963]	88-'98 1500, 2WD, 6 lug, 4.56	RAA435-1840B [70774]	95-'99 Suburban 1500, 2WD, 8 lug, 3.73
RAA435-1514D-P [71855]	88-'98 1500, 2WD, 6 lug, 4.56, posi	RAA435-1840B-P [73143]	95-'99 Suburban 1500, 2WD, 8 lug, 3.73, posi
RAA435-1515A [79394]	88-'99 1500, 4WD, 6 lug, 3.42	RAA435-1870 [77808]	96-'02 Van 2500, 6 lug
RAA435-1515A-P [78136]	88-'99 1500, 4WD, 6 lug, 3.42, posi	RAA435-1870-P [74018]	96-'02 Van 2500, 6 lug, posi
RAA435-1515B [75587]	88-'99 1500, 4WD, 6 lug, 3.73	RAA435-1871 [74028]	96-'02 Van 2500, 8 lug
RAA435-1515B-P [73858]	88-'99 1500, 4WD, 6 lug, 3.73, posi	RAA435-1871-P [71980]	96-'02 Van 2500, 8 lug, posi
RAA435-1515C [72976]	88-'99 1500, 4WD, 6 lug, 4.11	RAA435-1956A [73801]	01-'05 1500, 3.42
RAA435-1515C-P [72267]	88-'99 1500, 4WD, 6 lug, 4.11, posi	RAA435-1956A-P [70697]	01-'05 1500, 3.42, posi
RAA435-1524A [70222]	89-'00 2500, 8 lug, 3.42	RAA435-1956B [79722]	01-'05 Sierra & Silverado, crew cab, 3.73
RAA435-1524A-P [76820]	89-'00 2500, 8 lug, 3.42, posi	RAA435-1956B-P [77956]	01-'05 Sierra & Silverado, crew cab, 3.73, posi
RAA435-1524B [74035]	89-'00 2500, 8 lug, 3.73	RAA435-1956C [73361]	01-'05 Sierra & Silverado, crew cab, 4.11
RAA435-1524B-P [70234]	89-'00 2500, 8 lug, 3.73, posi	RAA435-1956C-P [70610]	01-'05 Sierra & Silverado, crew cab, 4.11, posi
RAA435-1524C [77818]	89-'00 2500, 8 lug, 4.11	RAA435-2041D-P [71043]	2005 1500, 2WD, non-active brake, 3.23, posi
RAA435-1524C-P [79006]	89-'00 2500, 8 lug, 4.11, posi	RAA435-2042A [74242]	00-'05 2500, 3.73
RAA435-1524D [70209]	89-'00 2500, 8 lug, 4.56	RAA435-2042A-P [77928]	00-'05 2500, 3.73, posi
RAA435-1524D-P [77701]	89-'00 2500, 8 lug, 4.56, posi	RAA435-2042B [70424]	00-'05 2500, 4.11
RAA435-1800A [77644]	1994 Suburban 1500, 4WD, 3.42	RAA435-2042B-P [77655]	00-'05 2500, 4.11, posi
RAA435-1800A-P [70486]	1994 Suburban 1500, 4WD, 3.42, posi	RAA435-2171 [76382]	03-'05 Hummer H2, w/ electric lokcer, 4.11
RAA435-1800B [76604]	1994 Suburban 1500, 4WD, 3.73	RAA435-2171-P [78682]	03-'04 Hummer H2, w/ electric lokcer, 4.11
RAA435-1800B-P [74336]	1994 Suburban 1500, 4WD, 3.73, posi	RAA435-223 [79067]	2009 Van 2500 & 3500, active brake, 3.73

Continued on next page

GM 9.5" (Cont.)

PART #	Description	PART #	Description
RAA435-224A [70278]	09-'10 Van 2500, non-active brake, 3.73	RAA435-225B-P [71126]	2009 Van 3500, non-active brake, 4.11, posi
RAA435-224A-P [79276]	09-'10 Van 2500, non-active brake, 3.73, posi	RAA435-226 [78310]	2009 Van 3500, SRW, cutaway, 4.11
RAA435-224B [71075]	09-'10 Van 2500, non-active brake, 4.11	RAA435-2260A [79668]	07-'13 3500 P/U, 2WD, 3.42
RAA435-224B-P [77705]	09-'10 Van 2500, non-active brake, 4.11, posi	RAA435-2260A-P [76055]	07-'13 3500 P/U, 2WD, 3.42, posi
RAA435-224C [78469]	09-'10 Van 2500, non-active brake, 3.42	RAA435-2260B [72321]	07-'13 3500 P/U, 2WD, 3.73
RAA435-224C-P [79509]	09-'10 Van 2500, non-active brake, 3.42, posi	RAA435-2260B-P [77320]	07-'13 3500 P/U, 2WD, 3.73, posi
RAA435-2252A [71838]	06-'07 1500 P/U, 6 lug, 3.73	RAA435-2260C [78580]	07-'13 3500 P/U, 2WD, 4.11
RAA435-2252A-P [79331]	06-'07 1500 P/U, 6 lug, 3.73, posi	RAA435-2260C-P [73443]	07-'13 3500 P/U, 2WD, 4.11, posi
RAA435-2252B [74996]	06-'07 1500 P/U, 6 lug, 4.11	RAA435-226-P [77672]	2009 Van 3500, SRW, 4.11, posi
RAA435-2252B-P [74270]	06-'07 1500 P/U, 6 lug, 4.11, posi	RAA435-259 [70193]	10-'14 2500 & 3500 P/U, active brake, 3.42
RAA435-2254 [71710]	06-'07 Hummer H2, electric locker, 4.11	RAA435-259-P [77837]	10-'14 2500 & 3500 P/U, active brake, 3.42, posi
RAA435-2255A [71455]	2009 Envoy & Trailblazer, 3.42	RAA435-260 [71616]	2010 Van 3500, non-active brake, 3.42
RAA435-2255A-P [78315]	2009 Envoy & Trailblazer, 3.42, posi	RAA435-260-P [77005]	2010 Van 3500, non-active brake, 3.42, posi
RAA435-2255B [78293]	2009 Envoy & Trailblazer, 3.73	RAA435-262 [72482]	10-'13 Van 3500, SRW, cutaway, non-active brake, 3.42
RAA435-2255B-P [79211]	2009 Envoy & Trailblazer, 3.73, posi	RAA435-262-P [70862]	10-'13 Van 3500, SRW, cutaway, non-active brake, 3.42, posi
RAA435-2255C [74795]	06-'09 Trailblazer 6.0L, 4.11	RAA435-112A [77857]	07-'13 Tahoe & Yukon, 3.42
RAA435-2255C-P [74319]	06-'09 Trailblazer 6.0L, 4.11, posi	RAA435-112A-P [73435]	07-'13 Tahoe & Yukon, 3.42, posi
RAA435-225A [79683]	2009 Van 3500, non-active brake, 3.73	RAA435-112B [71670]	07-'13 Tahoe & Yukon, 4.11
RAA435-225A-P [70852]	2009 Van 3500, non-active brake, 3.73, posi	RAA435-112B-P [71888]	07-'13 Tahoe & Yukon, 4.11, posi
RAA435-225B [71017]	2009 Van 3500, non-active brake, 4.11		

GM 9.5" 12 Bolt

PART #	Description	PART #	Description
RAA435-2307A [70548]	14-'15 P/U, 3.08	RAA435-2307B [74373]	14-'15 P/U, 3.42
RAA435-2307A-P [78625]	14-'15 P/U, 3.08, posi	RAA435-2307B-P [75978]	14-'15 P/U, 3.42, posi

GM 9.76"

PART #	Description
RAA435-2329A [70944]	15-'16 Yukon & Escalade, 3.23

GM 11.5"

PART #	Description	PART #	Description
RAA435-163 [75800]	04-'08 Silverado 2500, 3.73	RAA435-2085A-P [79103]	01-'05 Sierra & Silverado 3500, cab chassis, 3.73, posi
RAA435-163-P [73618]	92-'94 Silverado 2500, 3.73, posi	RAA435-2085B [75254]	01-'05 Sierra & Silverado 3500, cab chassis, 4.11
RAA435-2080A [75832]	01-'05 Sierra & Silverado, w/ 6spd, 3.73	RAA435-2085B-P [77456]	01-'05 Sierra & Silverado 3500, cab chassis, 4.11, posi
RAA435-2080A-P [70826]	01-'05 Sierra & Silverado, w/ 6spd, 3.73, posi	RAA435-2086A [76256]	01-'05 Sierra & Silverado, DRW, w/ 6spd, 3.73
RAA435-2080B [76340]	01-'05 Sierra & Silverado 3500, w/ 6spd, 4.11	RAA435-2086A-P [74377]	01-'05 Sierra & Silverado, DRW, w/ 6spd, 3.73, posi
RAA435-2080B-P [75427]	01-'05 Sierra & Silverado 3500, w/ 6spd, 4.11, posi	RAA435-2086B [78819]	01-'05 Sierra & Silverado 3500, DRW, w/ 6spd, 4.11
RAA435-2082A [71563]	01-'05 Sierra & Silverado 3500, cab chassis, wide track, w/ 6spd, 3.73	RAA435-2086B-P [73170]	01-'05 Sierra & Silverado 3500, DRW, w/ 6spd, 4.11, posi
RAA435-2082A-P [79356]	01-'05 Sierra & Silverado 3500, cab chassis, wide track, w/ 6spd, 3.73, posi	RAA435-2087A [75609]	01-'05 Sierra & Silverado 3500, DRW, non-6spd, 3.73
RAA435-2082B [77544]	01-'05 Sierra & Silverado 3500, cab chassis, wide track, w/ 6spd, 4.11	RAA435-2087A-P [74530]	01-'05 Sierra & Silverado 3500, DRW, non-6spd, 3.73, posi
RAA435-2082B-P [70583]	01-'05 Sierra & Silverado 3500, cab chassis, wide track, w/ 6spd, 4.11, posi	RAA435-2087B [73003]	01-'05 Sierra & Silverado 3500, DRW, non-6spd, 4.11
RAA435-2083A [70682]	01-'05 Sierra & Silverado 3500, cab chassis, 3.73	RAA435-2087B-P [71812]	01-'05 Sierra & Silverado 3500, DRW, non-6spd, 4.11, posi
RAA435-2083A-P [79561]	01-'05 Sierra & Silverado 3500, cab chassis, 3.73, posi	RAA435-218-P [72217]	2009 Silverado 2500, active brake, 3.73, posi
RAA435-2083B [73062]	01-'05 Sierra & Silverado 3500, cab chassis, 4.11	RAA435-219 [77109]	2009 Silverado 2500, non-active brake, 3.73, posi
RAA435-2083B-P [73002]	01-'05 Sierra & Silverado 3500, cab chassis, 4.11, posi	RAA435-219-P [77378]	09-'10 Sierra & Silverado 2500, 3.73, posi
RAA435-2084A [74252]	01-'05 Sierra & Silverado 3500, cab chassis, non-wide track, w/ 6spd, 3.73	RAA435-2220A [71558]	04-'10 Sierra & Silverado 3500, 3.73
RAA435-2084A-P [72648]	01-'05 Sierra & Silverado 3500, cab chassis, non-wide track, w/ 6spd, 3.73, posi	RAA435-2220A-P [79384]	04-'10 Sierra & Silverado 3500, 3.73, posi
RAA435-2084B [77667]	01-'05 Sierra & Silverado 3500, cab chassis, non-wide track, w/ 6spd, 4.11	RAA435-2220B [75034]	04-'05 Sierra & Silverado 3500, 4.11
RAA435-2084B-P [75277]	01-'05 Sierra & Silverado 3500, cab chassis, non-wide track, w/ 6spd, 4.11, posi	RAA435-2220B-P [77004]	04-'05 Sierra & Silverado 3500, 4.11, posi
RAA435-2085A [79363]	01-'05 Sierra & Silverado 3500, cab chassis, 3.73	RAA435-2263A [76828]	07-'10 Silverado 3500, DRW, 3.73
		RAA435-2263A-P [72672]	07-'10 Silverado 3500, DRW, 3.73, posi
		RAA435-2263B [70882]	07-'08 Silverado 3500, 4.11, DRW
		RAA435-2263B-P [77979]	07-'08 Silverado 3500, DRW, 4.11, posi
		RAA435-2264A [72835]	07-'10 3500 P/U, DRW, cab chassis, non-wide trac, 3.73

Continued on next page

GM 11.5" (Cont.)

PART #	Description	PART #	Description
RAA435-2264A-P [72242]	07-'10 3500 P/U, DRW, cab chassis, non-wide trac, 3.73, posi	RAA435-277A-P [74243]	11-'14 GM 3500, DRW, non-chassis, posi
RAA435-2264B [78773]	07-'10 3500 P/U, DRW, cab chassis, non-wide trac, 4.11	RAA435-277B [72900]	11-'14 GM 3500, DRW, non-chassis
RAA435-2264B-P [74178]	07-'10 3500 P/U, DRW, cab chassis, non-wide trac, 4.11, posi	RAA435-277B-P [74711]	11-'14 GM 3500, DRW, non-chassis, posi
RAA435-2265A [76936]	07-'10 3500 P/U, DRW, cab chassis, wide trac, 3.73	RAA435-280A [72157]	11-'14 3500, DRW, cab chassis, wide track, 3.73
RAA435-2265A-P [74408]	07-'10 3500 P/U, DRW, cab chassis, wide trac, 3.73, posi	RAA435-280A-P [72937]	11-'14 3500, DRW, cab chassis, wide track, 3.73, posi
RAA435-2265B [70341]	07-'10 3500 P/U, DRW, cab chassis, wide trac, 4.11	RAA435-280B [75621]	11-'14 3500, DRW, cab chassis, wide track, 4.11
RAA435-2265B-P [75820]	07-'10 3500 P/U, DRW, cab chassis, wide trac, 4.11, posi	RAA435-280B-P [74452]	11-'14 3500, DRW, cab chassis, wide track, 4.11, posi
RAA435-275A [71118]	11-'14 Silverado & Sierra 2500/3500, diesel, SRW, 3.55	RAA435-281A [78520]	11-'14 3500, DRW, cab chassis, non-wide track, 3.73, posi
RAA435-275A-P [78509]	11-'14 Silverado & Sierra 2500/3500, diesel, SRW, 3.55, posi	RAA435-281A-P [72993]	11-'14 3500, DRW, cab chassis, non-wide track, 3.73, posi
RAA435-275B [77073]	11-'14 Silverado & Sierra 2500/3500, diesel, SRW, 4.11	RAA435-281B [74447]	11-'14 3500, DRW, cab chassis, non-wide track, 4.11
RAA435-275B-P [77073]	11-'14 Silverado & Sierra 2500/3500, diesel, SRW, 4.11, posi	RAA435-281B-P [76136]	11-'14 3500, DRW, cab chassis, non-wide track, 4.11, posi
RAA435-277A [78964]	11-'14 GM 3500, DRW, non-chassis	RAA435-219-P [77378]	09-'10 Sierra & Silverado 2500, posi

Jeep M35

PART #	Description	PART #	Description
RAA435-134A [73020]	2007 Wrangler, 3.21	RAA435-1811A-P [78548]	93-'95 Wrangler, ABS, 3.07, posi
RAA435-134A-P [76895]	2007 Wrangler, 3.21, posi	RAA435-1811B [72276]	93-'95 Wrangler, ABS, 3.55
RAA435-134B [75017]	2007 Wrangler, 3.55	RAA435-1811B-P [74492]	93-'95 Wrangler, ABS, 3.55, posi
RAA435-134B-P [71146]	2007 Wrangler, 3.55, posi	RAA435-1839A [78571]	94-'98 Grand Cherokee, disc brake, 3.55
RAA435-135A [71824]	2007 Wrangler, 3.21	RAA435-1839A-P [77242]	94-'98 Grand Cherokee, disc brake, 3.55, posi
RAA435-135A-P [73674]	2007 Wrangler, 3.21, posi	RAA435-1839B [71137]	94-'98 Grand Cherokee, disc brake, 3.73
RAA435-135B [75328]	2007 Wrangler, 4.11	RAA435-1839B-P [79332]	94-'98 Grand Cherokee, disc brake, 3.73, posi
RAA435-135B-P [77982]	2007 Wrangler, 4.11, posi	RAA435-1883A [74614]	97-'02 Wrangler, non-ABS, 3.07
RAA435-1485A [75982]	87-'89 Wrangler, 3.08	RAA435-1883A-P [76698]	97-'02 Wrangler, non-ABS, 3.07, posi
RAA435-1485A-P [71319]	87-'89 Wrangler, 3.08, posi	RAA435-1883B [70477]	97-'02 Wrangler, non-ABS, 3.55
RAA435-1485B [78226]	87-'89 Wrangler, 3.55	RAA435-1883B-P [71321]	97-'02 Wrangler, non-ABS, 3.55, posi
RAA435-1485B-P [78337]	87-'89 Wrangler, 3.55, posi	RAA435-1883C [76766]	97-'02 Wrangler, non-ABS, 3.73
RAA435-1485C [77530]	87-'89 Wrangler, 4.11	RAA435-1883C-P [77088]	97-'02 Wrangler, non-ABS, 3.73, posi
RAA435-1485C-P [73750]	87-'89 Wrangler, 4.11, posi	RAA435-1883D [73870]	97-'02 Wrangler, non-ABS, 4.11
RAA435-1565A [76080]	90-'95 Wrangler, non-ABS, 3.07	RAA435-1883D-P [71276]	97-'02 Wrangler, non-ABS, 4.11, posi
RAA435-1565A-P [72947]	90-'95 Wrangler, non-ABS, 3.07, posi	RAA435-1883E [75253]	97-'02 Wrangler, ABS, 3.07
RAA435-1565B [78661]	90-'95 Wrangler, non-ABS, 3.55	RAA435-1883E-P [70872]	97-'02 Wrangler, ABS, 3.07, posi
RAA435-1565B-P [76130]	90-'95 Wrangler, non-ABS, 3.55, posi	RAA435-1883F [76014]	97-'02 Wrangler, ABS, 3.55
RAA435-1565C [76929]	90-'95 Wrangler, non-ABS, 3.73	RAA435-1883F-P [78033]	97-'02 Wrangler, ABS, 3.55, posi
RAA435-1565C-P [78343]	90-'95 Wrangler, non-ABS, 3.73, posi	RAA435-1883G [77399]	97-'02 Wrangler, ABS, 3.73
RAA435-1565D [70942]	90-'95 Wrangler, non-ABS, 4.11	RAA435-1883G-P [73920]	97-'02 Wrangler, ABS, 3.73, posi
RAA435-1565D-P [76379]	90-'95 Wrangler, non-ABS, 4.11, posi	RAA435-1883H [75710]	97-'02 Wrangler, ABS, 4.11
RAA435-1567A [70433]	90-'01 Cherokee & 1990 Wrangler, ABS, 3.55	RAA435-1883H-P [73425]	97-'02 Wrangler, ABS, 4.11, posi
RAA435-1567A-P [73219]	90-'01 Cherokee & 1990 Wrangler, ABS, 3.55, posi	RAA435-1983A [73390]	99-'04 Grand Cherokee, 3.55
RAA435-1567B [73311]	90-'01 Cherokee & 1990 Wrangler, ABS, 3.73	RAA435-1983A-P [77531]	99-'04 Grand Cherokee, 3.55, posi
RAA435-1567B-P [75423]	90-'01 Cherokee & 1990 Wrangler, ABS, 3.73, posi	RAA435-1983B [77543]	99-'04 Grand Cherokee, 3.73
RAA435-1567C [76864]	91-'96 Cherokee, ABS, 3.07	RAA435-1983B-P [72353]	99-'04 Grand Cherokee, 3.73, posi
RAA435-1567C-P [70577]	91-'96 Cherokee, ABS, 3.07, posi	RAA435-2115A [77824]	2002 Liberty 3.7L, non-ABS, 3.73
RAA435-1568A [74826]	90-'01 Cherokee, non-ABS, 9" brakes, 3.07	RAA435-2115A-P [73655]	2002 Liberty 3.7L, non-ABS, 3.73, posi
RAA435-1568A-P [74092]	90-'01 Cherokee, non-ABS, 9" brakes, 3.07, posi	RAA435-2115B [78303]	2002 Liberty 3.7L, non-ABS, 4.11
RAA435-1568B [70716]	90-'01 Cherokee, non-ABS, 9" brakes, 3.55	RAA435-2115B-P [76658]	2002 Liberty 3.7L, non-ABS, 4.11, posi
RAA435-1568B-P [76606]	90-'01 Cherokee, non-ABS, 9" brakes, 3.55, posi	RAA435-2115C [70861]	2002 Liberty 3.7L, ABS, 3.73
RAA435-1568C [77019]	90-'96 Cherokee, non-ABS, 10" brakes, 3.07	RAA435-2115C-P [74967]	2002 Liberty 3.7L, ABS, 3.73, posi
RAA435-1568C-P [72990]	90-'96 Cherokee, non-ABS, 10" brakes, 3.07, posi	RAA435-2115D [77400]	2002 Liberty 3.7L, ABS, 4.11
RAA435-1568D [72830]	90-'96 Cherokee, non-ABS, 10" brakes, 3.55	RAA435-2115D-P [76333]	2002 Liberty 3.7L, ABS, 4.11, posi
RAA435-1568D-P [76173]	90-'96 Cherokee, non-ABS, 10" brakes, 3.55, posi	RAA435-2149A [78555]	03-'05 Wrangler, 3.07
RAA435-1568E [70587]	90-'01 Cherokee, non-ABS, 9" brakes, 4.11	RAA435-2149A-P [77208]	03-'05 Wrangler, 3.07, posi
RAA435-1568E-P [71536]	90-'01 Cherokee, non-ABS, 9" brakes, 4.11, posi	RAA435-2149B [71230]	03-'05 Wrangler, non-ABS, 3.73
RAA435-1568F [75049]	90-'01 Cherokee, non-ABS, 10" brakes, 4.11	RAA435-2149B-P [76518]	03-'05 Wrangler, non-ABS, 3.73, posi
RAA435-1568F-P [76396]	90-'01 Cherokee, non-ABS, 10" brakes, 4.11, posi	RAA435-2149C [75837]	03-'05 Wrangler, ABS, 3.73
RAA435-1701A [78057]	93-'95 Grand Cherokee, drum brake, 3.55	RAA435-2149C-P [75483]	03-'05 Wrangler, ABS, 3.73, posi
RAA435-1701A-P [73259]	93-'95 Grand Cherokee, drum brake, 3.55, posi	RAA435-2149D [72005]	03-'05 Wrangler, 4.11
RAA435-1701B [73214]	93-'95 Grand Cherokee, drum brake, 3.73	RAA435-2149D-P [78231]	03-'05 Wrangler, 4.11, posi
RAA435-1701B-P [73683]	93-'95 Grand Cherokee, drum brake, 3.73, posi	RAA435-2149E [73063]	03-'05 Wrangler, 4.56
RAA435-1811A [71540]	93-'95 Wrangler, ABS, 3.07	RAA435-2149E-P [73899]	03-'05 Wrangler, 4.56, posi

Jeep D30

PART #	Description	PART #	Description
RAA434-101A [78069]	96-'98 Grand Cherokee, U/Joint yoke & axle, 3.55	RAA434-1877A [76783]	97-'02 Wrangler, non-ABS, 3.07
RAA434-101B [75324]	96-'98 Grand Cherokee, CV yoke, U/Joint Axles, 3.55	RAA434-1877B [78045]	97-'02 Wrangler, non-ABS, 3.55
RAA434-101C [78539]	96-'98 Grand Cherokee, U/Joint yoke & axle, 3.73	RAA434-1877C [77083]	97-'02 Wrangler, non-ABS, 3.73
RAA434-101D [76886]	96-'98 Grand Cherokee, CV yoke, U/Joint Axles, 3.73	RAA434-1877D [73846]	97-'02 Wrangler, non-ABS, 4.11
RAA434-101E [76399]	96-'98 Grand Cherokee, U/Joint yoke, CV Axles, 3.55	RAA434-1877E [77361]	97-'99 Wrangler, ABS, 3.07
RAA434-101F [74698]	96-'98 Grand Cherokee, CV yoke & Axles, 3.55	RAA434-1877F [78931]	97-'99 Wrangler, ABS, 3.55
RAA434-101G [76668]	96-'98 Grand Cherokee, U/Joint yoke, CV Axles, 3.73	RAA434-1877G [72963]	97-'99 Wrangler, ABS, 3.73
RAA434-101H [70106]	96-'98 Grand Cherokee, CV yoke & Axles, 3.73	RAA434-1877H [71926]	97-'99 Wrangler, ABS, 4.11
RAA434-106A [70879]	2000 Grand Cherokee, 3.73	RAA434-1877J [71135]	03-'05 Wrangler, ABS, 4.56
RAA434-106B [77104]	2000 Grand Cherokee, 3.73	RAA434-1878A [72038]	97-'05 Wrangler, non-ABS, 3.55
RAA434-107A [70763]	200 Grand Cherokee, non-ABS, 3.73	RAA434-1878B [78622]	97-'05 Wrangler, non-ABS, 3.73
RAA434-107B [79698]	200 Grand Cherokee, ABS, 3.73	RAA434-1878C [70995]	97-'05 Wrangler, non-ABS, 4.11
RAA434-1099 [74284]	72-'75 CJ	RAA434-1878D [71630]	97-'05 Wrangler, ABS, 3.07
RAA434-114A [78540]	07-'14 Wrangler, 3.21	RAA434-1878E [72657]	97-'05 Wrangler, ABS, 3.73
RAA434-114B [75642]	2007 Wrangler, 4.11	RAA434-1878F [76758]	97-'05 Wrangler, ABS, 4.11
RAA434-114C [74553]	11-'14 Wrangler, 3.73	RAA434-1894A [74457]	1998 Grand Cherokee, w/ 242 t-case, 3.55
RAA434-114D [75310]	09-'10 Wrangler, 3.21	RAA434-1894B [74009]	1998 Grand Cherokee, w/ 242 t-case, 3.55
RAA434-114E [73019]	09-'10 Wrangler, 3.73	RAA434-1894C [77828]	1998 Grand Cherokee, w/ 242 t-case, 3.73
RAA434-115A [70053]	11-'14 Wrangler, non-ABS, 3.21	RAA434-1894D [71252]	1998 Grand Cherokee, w/ 242 t-case, 3.73
RAA434-115B [72623]	2007 Wrangler, non-ABS, 4.11	RAA434-1894E [75033]	1998 Grand Cherokee, w/ 242 t-case, 3.55
RAA434-115C [78937]	11-'14 Wrangler, non-ABS, 3.73	RAA434-1894F [75825]	1998 Grand Cherokee, w/ 242 t-case, 3.55
RAA434-115D [70563]	09-'10 Wrangler, ABS, 3.21	RAA434-1894G [74718]	1998 Grand Cherokee, w/ 242 t-case, 3.73
RAA434-115E [76856]	09-'10 Wrangler, ABS, 3.73	RAA434-1894H [73072]	1998 Grand Cherokee, w/ 242 t-case, 3.73
RAA434-1480A [78800]	87-'89 Wrangler, 3.08	RAA434-1917A [73939]	99-'04 Grand Cherokee, u/joint yoke, 3.55
RAA434-1480B [71041]	87-'89 Wrangler, 3.55	RAA434-1917B [74938]	99-'04 Grand Cherokee, u/joint yoke, 3.73
RAA434-1480C [73625]	87-'89 Wrangler, 4.11	RAA434-1917C [73653]	99-'04 Grand Cherokee 4.0L, 3.55
RAA434-1561A [79319]	90-'95 Wrangler, non-ABS, 3.07	RAA434-1917D [75927]	99-'04 Grand Cherokee, Quadra drive, 3.73
RAA434-1561B [71818]	90-'95 Wrangler, non-ABS, 3.55	RAA434-1918 [71344]	99-'04 Grand Cherokee, w/ Tari-Loc, 3.73
RAA434-1561C [79229]	90-'95 Wrangler, non-ABS, 3.73	RAA434-1922A [70815]	2000 Grand Cherokee, 3.73
RAA434-1561D [73272]	90-'95 Wrangler, non-ABS, 4.11	RAA434-1922B [70114]	2000 Grand Cherokee, 3.91
RAA434-1562B [71641]	94-'99 Cherokee, ABS, 3.07	RAA434-1923A [70334]	2000 Grand Cherokee, 3.73
RAA434-1562C [77949]	94-'99 Cherokee, non-ABS, 3.07	RAA434-1923B [78707]	2000 Grand Cherokee, 3.91
RAA434-1562E [75433]	94-'99 Cherokee, ABS, 3.55	RAA434-1928A [71731]	00-'01 Cherokee, non-ABS, 3.07
RAA434-1562F [74692]	94-'99 Cherokee, non-ABS, 3.55	RAA434-1928B [78157]	00-'01 Cherokee, non-ABS, 3.55
RAA434-1562H [70617]	94-'99 Cherokee, ABS, 3.73	RAA434-1928C [74354]	00-'01 Cherokee, ABS, 3.07
RAA434-1562J [78963]	94-'99 Cherokee, non-ABS, 3.73	RAA434-1928D [75420]	00-'01 Cherokee, ABS, 3.55
RAA434-1562M [72998]	94-'99 Cherokee, ABS, 4.11	RAA434-1929A [70771]	00-'01 Cherokee, non-ABS, 3.55
RAA434-1562N [73626]	94-'99 Cherokee, non-ABS, 4.11	RAA434-1929B [71461]	00-'01 Cherokee, ABS, 3.55
RAA434-1808A [72656]	90-'95 Wrangler, ABS, 3.07	RAA434-1930 [71702]	2000 Cherokee, non-ABS, 4.11 ratio
RAA434-1808B [76532]	90-'95 Wrangler, ABS, 3.55	RAA434-1931 [78859]	2000 Cherokee, non-ABS, 4.11 ratio
RAA434-1809A [78027]	94-'99 Cherokee, non-ABS, 3.55	RAA440-1369A [77407]	02-'05 Liberty
RAA434-1809B [74559]	94-'99 Cherokee, non-ABS, 4.11	RAA440-1369B [71030]	02-'07 Liberty 3.7L, 3.73
RAA434-1810A [77264]	93-'98 Grand Cherokee, w/ 249 t-case, 3.55	RAA440-1369C [74817]	02-'05 Liberty 2.4L
RAA434-1810B [72051]	93-'98 Grand Cherokee, w/ 249 t-case, 3.55	RAA440-1402 [78080]	05-'09 Grand Cherokee, electric locker, 3.73
RAA434-1810C [75565]	93-'98 Grand Cherokee, w/ 249 t-case, 3.73	RAA440-1403A [76140]	05-'09 Grand Cherokee, 3.07
RAA434-1810D [79057]	93-'98 Grand Cherokee, w/ 249 t-case, 3.73	RAA440-1403B [71127]	05-'09 Grand Cherokee, 3.73
RAA434-1810E [72819]	93-'98 Grand Cherokee, w/ 249 t-case, 3.55	RAA440-1403C [79558]	05-'09 Grand Cherokee, 3.55
RAA434-1810F [73720]	93-'98 Grand Cherokee, w/ 249 t-case, 3.55	RAA440-149A [76947]	07-'12 Liberty & Nitro, 3.21
RAA434-1810G [77500]	93-'98 Grand Cherokee, w/ 249 t-case, CV yoke & Axles, 3.73	RAA440-149B [79141]	07-'12 Liberty & Nitro, 3.55
RAA434-1810H [72133]	93-'98 Grand Cherokee, w/ 249 t-case, U/Joint yoke, 3.73	RAA440-149C [77270]	07-'12 Liberty & Nitro, 3.73
		RAA440-149D [78261]	07-'12 Liberty & Nitro, 3.07

Jeep D44

PART #	Description	PART #	Description
RAA434-116A [74588]	2007 Wrangler, 3.21	RAA435-137C [71834]	2007 Wrangler, w/o Tru-Lok, 4.11
RAA434-116B [73962]	07-'08 Wrangler, w/ electric locker, 4.11	RAA435-137D [74710]	08-'14 Wrangler, 3.73
RAA434-116D [71833]	11-'14 Wrangler, 3.21	RAA435-147A [74739]	07-'15 Wrangler, 3.21
RAA434-116E [75302]	09-'10 Wrangler, 3.73	RAA435-147A-P [72652]	07-'15 Wrangler, 3.21, posi
RAA434-117A [78583]	2007 Wrangler, non-ABS, 3.21	RAA435-147B [77365]	07-'15 Wrangler, 3.73
RAA434-117B [72352]	07-'08 Wrangler, non-ABS, 4.11, posi	RAA435-147B-P [70345]	07-'15 Wrangler, 3.73, posi
RAA434-117C [71605]	09-'14 Wrangler, ABS, posi, 4.11	RAA435-147C [75211]	07-'15 Wrangler, 4.11
RAA435-126 [76764]	06-'10 Grand Cherokee & Commander, non-SRT8, 3.73	RAA435-147C-P [76451]	07-'15 Wrangler, 4.11, posi
RAA435-126-P [70180]	06-'10 Grand Cherokee & Commander, non-SRT8, 3.73, posi	RAA435-148A [71257]	07-'15 Wrangler, w/ electric locker, 3.73
RAA435-137A [73341]	07-'14 Wrangler, 3.21	RAA435-148B [72583]	07-'15 Wrangler, w/ electric locker, 4.11
RAA435-137A-P [78722]	07-'14 Wrangler, 3.21, posi	RAA435-155 [71998]	06-'10 Grand Cherokee SRT8, 3.73
		RAA435-1881A [71099]	96-'98 Grand Cherokee, disc brake, 3.54

Continued on next page



Jeep D44 (Cont.)

PART #	Description	PART #	Description
RAA435-1881A-P [74931]	96-'98 Grand Cherokee, disc brake, 3.54, posi	RAA435-1986B [73490]	99-'04 Grand Cherokee, Quadra Drive, 3.91
RAA435-1881B [76425]	96-'98 Grand Cherokee, disc brake, 3.73	RAA435-2150A [79432]	03-'06 Wrangler, drum brakes, 3.73
RAA435-1881B-P [70601]	96-'98 Grand Cherokee, disc brake, 3.73, posi	RAA435-2150A-P [76036]	03-'06 Wrangler, drum brakes, 3.73, posi
RAA435-1884A [76675]	97-'99 Wrangler, 3.07	RAA435-2150B [79574]	03-'06 Wrangler, disc brakes, 3.73
RAA435-1884A-P [75526]	97-'99 Wrangler, 3.07, posi	RAA435-2150B-P [70329]	03-'06 Wrangler, disc brakes, 3.73, posi
RAA435-1884B [70103]	97-'99 Wrangler, 3.55	RAA435-2150C [72413]	03-'06 Wrangler Rubicon, w/ air operated locker, 4.11
RAA435-1884B-P [75051]	97-'99 Wrangler, 3.55, posi	RAA435-2151A [75395]	03-'05 Wrangler, 3.07
RAA435-1884C [78778]	97-'02 Wrangler, 3.73	RAA435-2151A-P [70654]	03-'05 Wrangler, 3.07, posi
RAA435-1884C-P [73029]	97-'02 Wrangler, 3.73, posi	RAA435-2151B [73696]	03-'05 Wrangler, 3.07
RAA435-1884D [74677]	97-'02 Wrangler, 4.11	RAA435-2151B-P [71591]	03-'05 Wrangler, 3.73, posi
RAA435-1884D-P [78904]	97-'02 Wrangler, 4.11, posi	RAA435-2218 [75044]	04-'06 Wrangler, 3.73
RAA435-1985A [79218]	99-'04 Grand Cherokee, select trac, 3.73	RAA435-2218-P [79196]	04-'06 Wrangler, 3.73, posi
RAA435-1985A-P [70008]	99-'04 Grand Cherokee, select trac, 3.73, posi	RAA435-2227A [75761]	99-'04 Grand Cherokee, 2WD, 3.07
RAA435-1985B [78481]	2000 Grand Cherokee, non-Quadra Drive, 3.91	RAA435-2227A-P [79710]	99-'04 Grand Cherokee, 2WD, 3.07, posi
RAA435-1985B-P [75444]	2000 Grand Cherokee, non-Quadra Drive, 3.91, posi	RAA435-2227B [71975]	99-'04 Grand Cherokee, 2WD, 3.73
RAA435-1986A [72396]	99-'04 Grand Cherokee, Quadra Drive, Vari-Lok, 3.73	RAA435-2227B-P [77035]	99-'04 Grand Cherokee, 2WD, 3.73, posi

Jeep D44 Front

PART #	Description	PART #	Description
RAA434-116C [77377]	09-'10 Wrangler, w/ electric locker, 4.11	RAA434-1949 [72723]	03-'06 Wrangler Rubicon, w/ air operated locker, 4.11

Jeep 8.25"

PART #	Description	PART #	Description
RAA435-117A [79490]	06-'07 Liberty, 3.55	RAA435-2152B [73973]	2003 Liberty 3.7L, ABS, U/Joint driveshaft, 3.73, posi
RAA435-117A-P [78389]	06-'07 Liberty, 3.55, posi	RAA435-2152B-P [70921]	2003 Liberty 3.7L, ABS, U/Joint driveshaft, 3.73, posi
RAA435-117B [73241]	06-'07 Liberty, 3.73	RAA435-2152C [75933]	2003 Liberty 2.4L, U/Joint driveshaft, 4.11
RAA435-117B-P [79426]	06-'07 Liberty, 3.73, posi	RAA435-2152C-P [77173]	2003 Liberty 2.4L, U/Joint driveshaft, 4.11, posi
RAA435-127 [75289]	2006 Commander, w/ electric locker, 3.73	RAA435-2152D [78529]	03-'04 Liberty 3.7L, non-ABS, CV driveshaft, 3.73
RAA435-140A [75290]	07-'09 Nitro & Liberty, 3.21	RAA435-2152D-P [70050]	03-'04 Liberty 3.7L, non-ABS, CV driveshaft, 3.73, posi
RAA435-140A-P [70926]	07-'09 Nitro & Liberty, 3.21, posi	RAA435-2152E [70734]	2003 Liberty, ABS, CV driveshaft, 3.73
RAA435-140B [77602]	07-'09 Nitro & Liberty, 3.55	RAA435-2152E-P [76191]	2003 Liberty, ABS, CV driveshaft, 3.73, posi
RAA435-140B-P [78073]	07-'09 Nitro & Liberty, 3.55, posi	RAA435-2152F [73338]	2003 Liberty, ABS, CV driveshaft, 4.11
RAA435-140C [73807]	07-'09 Nitro & Liberty, 3.73	RAA435-2152F-P [71464]	2003 Liberty, ABS, CV driveshaft, 4.11, posi
RAA435-140C-P [74348]	07-'09 Nitro & Liberty, 3.73, posi	RAA435-2228 [79254]	2005 Grand Cherokee, 4WD, 3.73
RAA435-140D [76099]	2012 Liberty, 3.07	RAA435-2228-P [71202]	2005 Grand Cherokee, 4WD, electric locker, 3.73
RAA435-140D-P [75274]	2012 Liberty, 3.07, posi	RAA435-2229A [75225]	05-'06 Grand Cherokee, 4WD, 3.07
RAA435-145A [70092]	2005 Grand Cherokee 3.7L, Varilock, 3.07	RAA435-2229A-P [79403]	05-'06 Grand Cherokee, 4WD, 3.07, posi
RAA435-145B [71169]	2005 Grand Cherokee 3.7L, Varilock, 3.73	RAA435-2229B [71754]	05-'06 Grand Cherokee, 4WD, 3.73
RAA435-151A [72800]	07-'10 Grand Cherokee & Commander, 3.07	RAA435-2229B-P [75405]	05-'06 Grand Cherokee, 4WD, 3.73, posi
RAA435-151A-P [73479]	07-'10 Grand Cherokee & Commander, 3.07, posi	RAA435-2229C [77917]	05-'06 Grand Cherokee, 4WD, 3.55
RAA435-151B [79058]	07-'10 Grand Cherokee & Commander, 3.55	RAA435-2229C-P [76019]	05-'06 Grand Cherokee, 4WD, 3.55, posi
RAA435-151B-P [78673]	07-'10 Grand Cherokee & Commander, 3.55, posi	RAA435-2242A [78862]	2005 Liberty 3.7L, non-ABS, 3.55
RAA435-151C [71775]	07-'10 Grand Cherokee & Commander, 3.73	RAA435-2242A-P [78975]	2005 Liberty 3.7L, non-ABS, 3.55, posi
RAA435-151C-P [72611]	07-'10 Grand Cherokee & Commander, 3.73, posi	RAA435-2242B [76621]	2005 Liberty 3.7L, non-ABS, 3.73
RAA435-154-P [77887]	06-'10 Grand Cherokee & Commander, w/ electric locker, 3.73	RAA435-2242B-P [75751]	2005 Liberty 3.7L, non-ABS, 3.73, posi
RAA435-1566A [76234]	91-'01 Cherokee, 3.07	RAA435-2242C [70659]	2005 Liberty 2.8L, ABS, 3.73
RAA435-1566A-P [73384]	91-'01 Cherokee, 3.07, posi	RAA435-2242C-P [76790]	2005 Liberty 2.8L, ABS, 3.73, posi
RAA435-1566B [72679]	91-'01 Cherokee, 3.55	RAA435-2242D [76976]	2005 Liberty 2.4L, ABS, 4.11
RAA435-1566B-P [74842]	91-'01 Cherokee, 3.55, posi	RAA435-2242D-P [70471]	2005 Liberty 2.4L, ABS, 4.11, posi
RAA435-1566C [73469]	91-'01 Cherokee, 4.11	RAA435-2242E [73414]	2005 Liberty 2.8L, ABS, 3.55
RAA435-1566C-P [71717]	91-'01 Cherokee, 4.11, posi	RAA435-2242E-P [77050]	2005 Liberty 2.8L, ABS, 3.55, posi
RAA435-2114A [71693]	2002 Liberty 3.7L, non-ABS, 3.73	RAA435-2242F [71109]	2005 Liberty 3.7L, non-ABS, 3.55
RAA435-2114A-P [75848]	2002 Liberty 3.7L, non-ABS, 3.73, posi	RAA435-2242F-P [78970]	2005 Liberty 3.7L, non-ABS, 3.55, posi
RAA435-2114B [78840]	2002 Liberty 3.7L, non-ABS, 4.11	RAA435-2242G [73742]	2005 Liberty 3.7L, non-ABS, 3.73
RAA435-2114B-P [73813]	2002 Liberty 3.7L, non-ABS, 4.11, posi	RAA435-2242G-P [75163]	2005 Liberty 3.7L, non-ABS, 3.73, posi
RAA435-2114C [72566]	2002 Liberty 3.7L, ABS, 3.73	RAA435-2242H [70252]	2005 Liberty 2.8L & 3.7L, ABS, 3.73
RAA435-2114C-P [73642]	2002 Liberty 3.7L, ABS, 3.73, posi	RAA435-2242H-P [75977]	2005 Liberty 2.8L & 3.7L, ABS, 3.73, posi
RAA435-2114D [79712]	2002 Liberty 3.7L, ABS, 4.11	RAA435-2242J [74177]	2005 Liberty 2.4L & 3.7L, non-ABS, 4.11
RAA435-2114D-P [73951]	2002 Liberty 3.7L, ABS, 4.11, posi	RAA435-2242J-P [77772]	2005 Liberty 2.4L & 3.7L, non-ABS, 4.11, posi
RAA435-2152A [77459]	2003 Liberty 3.7L, non-ABS, U/Joint driveshaft, 3.73	RAA435-2242K [71364]	2005 Liberty 2.8L, ABS, 3.55
RAA435-2152A-P [70916]	2003 Liberty 3.7L, non-ABS, U/Joint driveshaft, 3.73, posi	RAA435-2242K-P [76824]	2005 Liberty 2.8L, ABS, 3.55, posi

Mercedes

PART #	Description	PART #	Description
RAA1643302202 [78432]	07-'12 GL320, GL450, GL550 & '06-'11 ML500 & ML550 Front, 3.70	RAA1643302402 [76666]	06-'11 ML350 Front, 3.90

Nissan/ Dana M226

PART #	Description	PART #	Description
RAA435-50116 [71781]	2007 Titan, 4WD, electric locker, 3.36	RAA435-50137 [72063]	08-'15 Titan, 4WD, 139.8" wheel base, 2.94
RAA435-50131 [71826]	08-'15 Titan, 2WD, 139.8" wheel base, 2.94	RAA435-50137-P [78212]	08-'15 Titan, 4WD, 139.8" wheel base, 2.94, posi
RAA435-50131-P [70443]	08-'15 Titan, 2WD, 139.8" wheel base, 2.94, posi	RAA435-58882A [70655]	04-'07 Titan, 2WD, 3.36
RAA435-50132 [77794]	08-'15 Titan, 2WD, 159.4" wheel base, 2.94	RAA435-58882B [72927]	04-'07 Titan, 2WD, 3.36, electric locker
RAA435-50132-P [75866]	08-'15 Titan, 2WD, 159.4" wheel base, 2.94, posi	RAA435-58883A [73706]	04-'07 Titan, 2WD, 2.94
RAA435-50133 [70010]	08-'15 Titan, 2WD, 139.8" wheel base, 3.36	RAA435-58883B [71409]	04-'07 Titan, 4WD, 2.94
RAA435-50133-P [74579]	08-'15 Titan, 2WD, 139.8" wheel base, 3.36, posi	RAA435-58883B-P [74313]	04-'07 Titan, 4WD, 2.94, electric locker
RAA435-50134 [76585]	08-'15 Titan, 2WD, 159.4" wheel base, 3.36	RAA435-58884A [71431]	04-'07 Titan, 4WD, 3.36
RAA435-50134-P [70543]	08-'15 Titan, 2WD, 159.4" wheel base, 3.36, posi	RAA435-58884B [74621]	04-'07 Titan, 4WD, 3.36, electric locker
RAA435-50135 [77084]	08-'15 Titan, 4WD, 139.8" wheel base, 3.36, electric locker	RAA435-50138-P [30410]	08-'14 Titan, 4WD, 2.94, posi
RAA435-50136 [74712]	08-'15 Titan, 4WD, 159.4" wheel base, 3.36, electric locker	RAA435-50139-P [30411]	08-'14 Titan, 4WD, 2.94, posi
		RAA435-50140-P [30412]	08-'14 Titan, 4WD, 2.94, posi

Rockwell 20145

PART #	Description	PART #	Description
RAA20145-UNIT-1 [78544]	Aluminum housing, 1480 U/Joint, with spool, 6.14	RAA20145-UNIT-3 [72160]	Iron housing, 1480 U/Joint, with spool, 6.14
RAA20145-UNIT-2 [71716]	Aluminum housing, 1480 U/Joint, with spool, 6.14		

Spicer S110

PART #	Description	PART #	Description
RAA676069R [71719]	4.30, ABS	RAA676102R [76960]	4.88, ABS, w/ locker
RAA676070R [71529]	4.88, ABS	RAA676106R [77657]	5.38, ABS, w/ locker
RAA676074R [72577]	5.38, ABS	RAA681480R [72331]	4.11, w/o yoke
RAA676101R [78944]	4.30, posi, w/o yoke	RAA681565R [79620]	4.11, ABS, w/ locker

Spicer S135 & S150

PART #	Description	PART #	Description
RAA360CA102-1XR [73337]	4.88, w/ ABS, W/O yoke, open	RAA360CA106-1XR [78356]	4.88, w/ ABS, W/O yoke, with locker
RAA360CA102-3XR [71619]	5.38, w/ ABS, W/O yoke, open	RAA360CA106-2XR [73881]	5.38, w/ ABS, W/O yoke, with locker

Toyota 10.5"

PART #	Description	PART #	Description
RAA435-50130A [71925]	07-'16 Tundra, 4.11	RAA435-50130B [70359]	07-'16 Tundra, 4.30

Toyota TV6

PART #	Description	PART #	Description
RAA440-58123A [75088]	89-'92 P/U & 4Runner, 4.11	RAA440-58736B [76185]	96-'00 4Runner, 4.11, posi
RAA440-58736A [78453]	96-'00 4Runner, 4.56, posi	RAA440-58736C [75563]	96-'00 4Runner, 4.30 w/ Locker, 3rd Member



Remanufactured Manual Transmissions



- Cases & internals thoroughly inspected for cracks, wear & stripped threads
- Shaft straightness, gear wear, & chain stretch extensively tested
- Viscous coupler always replaced
- Spin-tested for shiftability & noise level



Chrysler Misc.

PART #	Description	PART #	Description
RMT4101 [30421]	03-'05 PT Cruiser turbo, 5 speed	RMT60960 [70006]	00-'05 Stratus, Eclipse & Sebring 3.0L, 5 speed
RMT578D-1 [77709]	95-'99 passenger car, 5 speed, 5.0L, non-turbo	RMT833D-1 [30448]	64-'75 passenger car, 4 speed

Chrysler NSG370

PART #	Description
RMTNSG370-8 [30486]	04-'08 Crossfire, 6 speed

Dodge A535

PART #	Description	PART #	Description
RMT535D-1 [73692]	87-'91 Dakota, 5 speed, 2WD, 23 spline input, Alum. & tail	RMT535D-4 [70484]	88-'91 Van, 5 speed, 2WD, Alum. & tail, flat cover
RMT535D-2 [77522]	87-'91 Dakota, 5 speed, 4WD, 23 spline input, Alum. & tail	RMT535D-3 [30430]	92-'93 Dakota 2.5L, 5 speed, 2WD, 19 spline input, Alum. & tail

Dodge AX15

PART #	Description	PART #	Description
RMTAX15D-1 [78986]	92-'99 Dakota 3.9L, 5 speed, 2WD, 10 spline input, 27 spline output	RMTAX15D-3 [73041]	94-'99 Dakota 3.9L, 5 speed, Alum., no top cover
RMTAX15D-2 [30449]	92-'93 Dakota, 5 speed, 4WD, Alum., no top cover		

Dodge/ Mitsubishi D50

PART #	Description	PART #	Description
RMTD504X45SPD [76481]	D50 Dodge 2.6L, 5 speed, 4WD	RMTD50X422L [30459]	D50 Mitsubishi 2.0L, 2WD



Dodge G238

PART #	Description	PART #	Description
RMT238D-1 [71735]	05-'09 Dakota 3.7L & 4.7L, 6 speed, 2WD, Alum.	RMT238D-3 [76390]	05-'08 RAM 1500 3.7L & 4.7L, 6 speed, 2WD, Alum.
RMT238D-2 [75524]	05-'09 Dakota 3.7L & 4.7L, 6 speed, 4WD, Alum.	RMT238D-4 [70119]	05-'08 RAM 1500 3.7L & 4.7L, 6 speed, 4WD, Alum.

Dodge NP435

PART #	Description
RMT435D-3 [76351]	80-'91 D series, gas, 4 speed, 4WD, 6.68 low, non-synchro 1st

Dodge NV1500

PART #	Description
RMT1500D-1 [30413]	99-'02 Dakota 2.5L, 5 speed, 2WD, Alum., integral bell housing

Dodge NV3500

PART #	Description	PART #	Description
RMT3500D-1 [73473]	94-'96 Dakota 5.2L, 5 speed, 4WD, Alum., integral bell	RMT3500D-4 [74233]	98-'04 Ram 1500 3.7L & 4.7L, 5 speed, 2WD, aluminum case, integral bell
RMT3500D-10 [30416]	1997 Dakota 5.2L, 5 speed, 2WD, Alum., integral bell	RMT3500D-5 [71633]	98-'04 Ram 1500 3.7L & 4.7L, 5 speed, 4WD, aluminum case, integral bell
RMT3500D-11 [30417]	98-'99 Dakota 5.2L, 5 speed, 2WD, Alum., integral bell	RMT3500D-6 [72548]	2000 Dakota 3.9L & 4.7L, 5 speed, 2WD, Alum., integral bell
RMT3500D-12 [30418]	01-'04 Dakota 3.9L & 4.7L, 5 speed, 2WD, Alum., integral bell	RMT3500D-7 [70584]	2000 Dakota 3.9L & 4.7L, 5 speed, 4WD, Alum., integral bell
RMT3500D-13 [76356]	01-'04 Dakota 3.9L & 4.7L, 5 speed, 4WD, Alum., integral bell	RMT3500D-8 [71023]	94-'97 Dakota 5.2L, 5 speed, 2WD, Alum., integral bell
RMT3500D-2 [30419]	94-'96 Dakota 5.2L, 5 speed, 2WD, Alum., integral bell	RMT3500D-9 [78827]	94-'97 Dakota 5.2L, 5 speed, 4WD, Alum., integral bell
RMT3500D-3 [74368]	97-'99 Dakota 5.2L, 5 speed, 4WD, Alum., integral bell		

Dodge NV4500

PART #	Description	PART #	Description
RMT4500D-1 [30428]	92-'93 D series, 2WD, 5 speed, gas, iron case, aluminum top cover	RMT4500D-2 [77354]	94-'97 5.2L & 5.9L gas, 5 speed, 2WD, cast iron case, aluminum top cover
RMT4500D-10 [78470]	03-'05 2500 & 3500 5.7L, 5 speed, 2WD, cast iron case, aluminum top cover	RMT4500D-3 [70700]	94-'97 8.0L or diesel, 5 speed, 2WD, cast iron case, aluminum top cover
RMT4500D-11 [76284]	03-'05 2500 & 3500 5.7L, 5 speed, 4WD, cast iron case, aluminum top cover	RMT4500D-4 [73989]	94-'97 8.0L or diesel, 5 speed, 4WD, cast iron case, aluminum top cover
RMT4500D-12 [70259]	03-'04 2500 & 3500, 5 speed, 2WD, cast iron case, aluminum top cover	RMT4500D-5 [78352]	98-'02 8.0L or diesel, 5 speed, 2WD, cast iron case, aluminum top cover
RMT4500D-13 [75189]	01-'02 2500 & 3500, 5 speed, 4WD, 5.9L gas, 29 spline output, cast iron case	RMT4500D-6 [77872]	98-'02 8.0L or diesel, 5 speed, 4WD, cast iron case, aluminum top cover
RMT4500D-14 [78997]	92-'93 W-series, 5 speed, 4WD, gas, cast iron case, aluminum top cover	RMT4500D-7 [76290]	98-'00 Ram 5.9L, 5 speed, 2WD, 23 spline, cast iron case, aluminum top cover
RMT4500D-15 [30429]	01-'02 Ra, 5.9L gas, 5 speed, 2WD, iron case, aluminum top cover	RMT4500D-8 [75784]	94-'97 5.2L & 5.9L, 5 speed, 4WD, cast iron case, aluminum top cover
RMT4500D-16 [73201]	98-'01 Ram 2500 & 3500 5.9L, 5 speed, 2WD, cast iron case, aluminum top cover	RMT4500D-9 [74137]	03-'04 Ram, 8.0L or diesel, 5 speed, 4WD, cast iron case, aluminum top cover
RMT4500D-17 [72154]	5 speed, 2WD, for G360 conversion, modified input retainer, w/speedo		
RMT4500D-18 [75998]	5 speed, 4WD, for G360 conversion, modified input retainer, w/speedo		

Dodge NV5600

PART #	Description	PART #	Description
RMT5600D-1 [78095]	98-'00 Ram 5.9L diesel, 6 speed, 2WD, 1.25" input	RMT5600D-3 [71784]	99-'05 Ram 5.9L diesel, 6 speed, 2WD, 1.375" input
RMT5600D-2 [74947]	98-'00 Ram 5.9L diesel, 6 speed, 4WD, 1.25" input	RMT5600D-4 [72245]	99-'05 Ram 5.9L diesel, 6 speed, 4WD, 1.375" input

Dodge T56

PART #	Description	PART #	Description
RMT56D-1 [30431]	92-'06 Viper, 6 speed	RMT56D-4 [30432]	04-'06 Ram 1500, 8.3L gas, 6 speed, 2WD

Ford FM145

PART #	Description	PART #	Description
RMT45F-1 [77022]	96-'98 Mustang GT 4.6L, 5 speed, gear drive vss, green speedo	RMT45F-3 [73534]	96-'98 Mustang Cobra 4.6L, 5 speed, gear driven VSS, red speedo
RMT45F-2 [71379]	99-'01 Mustang 4.6L, 5 speed, mag CSS, reluctor wheel speedo		

Ford M5R1

PART #	Description	PART #	Description
RMTM5R1F-1SG [30461]	88-'94 Ranger 2.3L, 2WD, green speedo gear, 4 5/8" shifter stub	RMTM5R1F-5TE [72604]	01-'08 Ranger & B-series 3.0L, 2WD, 5" shifter stub
RMTM5R1F-1SP [30462]	88-'94 Ranger 2.3L, 2WD, purple speedo gear, 4 5/8" shifter stub	RMTM5R1F-5TG [79602]	95-'97 Ranger & B-series 3.0L, 2WD, 5" shifter stub, 8 tooth speedo
RMTM5R1F-1SW [71095]	88-'94 Ranger & B-series, 2WD, 4 5/8" shifter stub, 7 tooth speedo	RMTM5R1F-5TN [77393]	98-'00 Ranger & B-series 3.0L, 2WD
RMTM5R1F-1TE [76982]	01-'11 Ranger & B-series 2.3L, 2WD, 5" shifter stub	RMTM5R1F-5TP [30469]	95-'97 Ranger & B-series 3.0L, 2WD, 5" shifter stub, 8 tooth speedo
RMTM5R1F-1TG [30463]	95-'97 Ranger 2.3L, 2WD, 5" shifter stub, green speedo gear	RMTM5R1F-5TW [30470]	95-'97 Ranger & B-series 3.0L, 2WD, 5" shifter stub, 7 tooth speedo
RMTM5R1F-1TN [75214]	98-'01 Ranger & B-series, 2WD, 5" shifter stub, no VSS or speedo	RMTM5R1F-6SN [79427]	91-'94 Ranger & B-series, 4WD, 4 5/8" shifter stub, no speedo
RMTM5R1F-1TP [30464]	95-'97 Ranger 2.3L, 2WD, 5" shifter stub, purple speedo gear	RMTM5R1F-6TE [78802]	02-'08 Ranger & B-series, 3.0L, 4WD, 5" shifter stub
RMTM5R1F-1TW [74222]	95-'97 Ranger & B-series, 2WD, 5" shifter stub, 7 tooth speedo	RMTM5R1F-6TN [30471]	95-'04 Ranger 3.0L, 4WD, 5" shifter stub, no speedo hole
RMTM5R1F-2SN [71820]	88-'94 Ranger & B-series, 4WD, 4 5/8" shifter stub, no speedo	RMTM5R1F-7SG [30472]	90-'94 Ranger 4.0L, 2WD, 4 5/8" shifter stub
RMTM5R1F-2TN [74989]	95-'97 Ranger & B-series, 4WD, 5" shifter stub, no speedo	RMTM5R1F-7SP [30473]	90-'94 Ranger 4.0L, 2WD, 4 5/8" shifter stub
RMTM5R1F-3SG [30465]	88-'92 Ranger 2.9L, 2WD, 4 5/8" shifter stub, green speedo gear	RMTM5R1F-7SW [71400]	90-'94 Ranger 4.0L, 2WD, 4 5/8" shifter stub
RMTM5R1F-3SP [30466]	88-'92 Ranger 2.9L, 2WD, 4 5/8" shifter stub, purple speedo gear	RMTM5R1F-7TE [73794]	01-'11 Ranger & Explorer 4.0L, 2WD, 4 5/8" shifter stub
RMTM5R1F-3SW [72128]	88-'92 Ranger 2.9L, 2WD, 4 5/8" shifter stub, 7 tooth speedo gear	RMTM5R1F-7TG [30474]	95-'97 Ranger & B-series 4.0L, 2WD, 5" shifter stub, 8 tooth speedo
RMTM5R1F-4SN [72872]	88-'92 Ranger 2.9L, 2WD, 4 5/8" shifter stub	RMTM5R1F-7TN [75793]	98-'04 Ranger & Explorer 4.0L, 2WD, 5" shifter stub
RMTM5R1F-5SG [30467]	91-'94 Ranger 3.0L, 2WD, 4 5/8" shifter stub, green speedo gear	RMTM5R1F-7TP [30475]	95-'97 Ranger & B-series 4.0L, 2WD, 5" shifter stub, 6 tooth speedo
RMTM5R1F-5SP [30468]	91-'94 Ranger 3.0L, 2WD, 4 5/8" shifter stub, purple speedo gear	RMTM5R1F-7TW [30476]	95-'97 Ranger & B-series 4.0L, 2WD, 5" shifter stub, 7 tooth speedo
RMTM5R1F-5SW [78952]	91-'94 Ranger 3.0L, 2WD, 4 5/8" shifter stub, 7 tooth speedo gear	RMTM5R1F-8SN [73518]	90-'94 Ranger & Explorer 4.0L, 4WD, 4 5/8" shifter stub
		RMTM5R1F-8TE [77565]	01-'11 Ranger & Explorer 4.0L, 4WD, 5" shifter stub
		RMTM5R1F-8TEX [78779]	01-'04 Ranger & Explorer 4.0L, 4WD, 5" shifter stub
		RMTM5R1F-8TN [70177]	95-'04 Ranger & Explorer 4.0L, 4WD, 5" shifter stub

Ford M5R4

PART #	Description	PART #	Description
RMTM5R4F-1 [30479]	02-'03 Explorer, 4 door, 2WD, not top cover	RMTM5R4F-2 [30480]	02-'03 Explorer, 4 door, 4WD, not top cover

Ford NP435

PART #	Description	PART #	Description
RMT435F-3 [78869]	73-'77 F250, 4 speed, 4WD, Alum., w/ separate mounted T-case	RMT435F-5 [77918]	75-'79 F150 & F250, 4WD, cast iron case, aluminum cover, direct mount T-case
RMT435F-4 [75050]	75-'87 F150, F250, F560 & E350, speed, 2WD, cast iron case, aluminum cover	RMT435F-6 [75386]	77-'87 F150, F250 & F350, 4WD, cast iron case, aluminum cover, direct mount T-case

Ford S5-42

PART #	Description	PART #	Description
RMTS5-42-1 [76131]	87-'92 F-series 4.9L & 5.8L, 2WD, 5.72-0.76 ratio, seven tooth speedo		ratio, 8 tooth speedo
RMTS5-42-10 [71397]	87-'94 F-series 4.9L & 5.8L, 4WD, 5.72-0.76 ratio	RMTS5-42-21 [71936]	87-'92 F-series 6.9L & 7.3L, 5 speed, 2WD, 4.14-0.77 ratio, 8 tooth speedo
RMTS5-42-11 [77640]	87-'94 F-series 4.9L & 5.8L, 5 speed, 2WD, 5.72-0.76 ratio	RMTS5-42-21-P [30488]	87-'92 F-series 6.9L & 7.3L, 5 speed, 2WD, 4.14-0.77 ratio, 8 tooth speedo
RMTS5-42-12 [74206]	87-'95 F-series 6.9L & 7.3L, 5 speed, 4WD, 5.72-0.76 ratio	RMTS5-42-3 [75833]	87-'92 F-series 7.5L, 5 speed, 2WD, 5.72-0.76 ratio, 7 tooth speedo
RMTS5-42-12-P [73234]	87-'95 F-series 6.9L & 7.3L, 5 speed, 4WD, 5.72-0.76 ratio	RMTS5-42-4 [30489]	87-'92 F-series 7.5L, 5 speed, 2WD, 5.72-0.76 ratio, 8 tooth speedo
RMTS5-42-14 [74374]	87-'95 F-series 6.9L & 7.3L, 5 speed, 4WD, 4.14-0.77 ratio	RMTS5-42-6 [79621]	87-'92 F-series 6.9L & 7.3L, 5 speed, 2WD, 4.14-0.77 ratio, 7 tooth speedo
RMTS5-42-14-P [72551]	87-'95 F-series 6.9L & 7.3L, 5 speed, 4WD, 4.14-0.77 ratio	RMTS5-42-6-P [30490]	87-'92 F-series 6.9L & 7.3L, 5 speed, 2WD, 4.14-0.77 ratio, 7 tooth speedo
RMTS5-42-15 [70873]	92-'95 F-series 7.3L, 5 speed, 4.14-0.77 ratio, electric speedo	RMTS5-42-7 [76514]	87-'92 F-series 6.9L & 7.3L, 5 speed, 2WD, 5.72-0.76 ratio, 7 tooth speedo
RMTS5-42-15-P [76410]	92-'95 F-series 7.3L, 5 speed, 4.14-0.77 ratio, electric speedo	RMTS5-42-7-P [30491]	87-'92 F-series 6.9L & 7.3L, 5 speed, 2WD, 5.72-0.76 ratio, 7 tooth speedo
RMTS5-42-16 [77712]	92-'95 F-series 7.3L, 5 speed, 5.72-0.76 ratio, electric speedo	RMTS5-42-8 [74460]	92-'94 F-series 4.9L & 5.8L, 5 speed, 2WD, 5.76-0.76 ratio, electric speedo
RMTS5-42-16-P [30487]	92-'95 F-series 7.3L, 5 speed, 5.72-0.76 ratio, electric speedo	RMTS5-42-9 [73755]	92-'94 F-series 7.5L, 5 speed, 2WD, 5.76-0.76 ratio, electric speedo
RMTS5-42-2 [72892]	87-'92 F-series 4.9L & 5.8L, 5 speed, 2WD, 5.72-0.76		

Ford S5-47

PART #	Description	PART #	Description
RMTS5-47-1 [74226]	96-'97 F-series 4.9L & 5.8L, 5 speed, 2WD, 5.72-0.76 ratio, electric speedo	RMTS5-47-6 [72796]	96-'97 F-series 7.5L, 5 speed, 4WD, 5.07-0.77 ratio, electric speedo
RMTS5-47-2 [75908]	96-'97 F-series 4.9L & 5.8L, 5 speed, 4WD, 5.72-0.76 ratio, electric speedo	RMTS5-47M-1 [73461]	1999 F-series 5.4L & 6.8L, 5 speed, 2WD, 5.72-0.76 ratio, electric speedo
RMTS5-47-3 [71473]	96-'97 F-series 7.5L, 5 speed, 2WD, 5.72-0.76 ratio, electric speedo	RMTS5-47M-2 [71474]	1999 F-series 5.4L & 6.8L, 5 speed, 4WD, 5.72-0.76 ratio, electric speedo
RMTS5-47-4 [71940]	96-'97 F-series 7.5L, 5 speed, 4WD, 5.72-0.76 ratio, electric speedo	RMTS5-47M-3 [70718]	99-'01 F-series 5.4L & 6.8L, 5 speed, 2WD, 5.72-0.76 ratio, electric speedo
RMTS5-47-5 [78482]	96-'97 F-series 7.5L, 5 speed, 2WD, 5.07-0.77 ratio, electric speedo	RMTS5-47M-4 [79687]	99-'01 F-series 5.4L & 6.8L, 5 speed, 4WD, 5.72-0.76 ratio, electric speedo

Ford S6-750F

PART #	Description	PART #	Description
RMTS5-47-1 [74226]	96-'97 F-series 4.9L & 5.8L, 5 speed, 2WD, 5.72-0.76 ratio, electric speedo	RMTS5-47-6 [72796]	96-'97 F-series 7.5L, 5 speed, 4WD, 5.07-0.77 ratio, electric speedo
RMTS5-47-2 [75908]	96-'97 F-series 4.9L & 5.8L, 5 speed, 4WD, 5.72-0.76 ratio, electric speedo	RMTS5-47M-1 [73461]	1999 F-series 5.4L & 6.8L, 5 speed, 2WD, 5.72-0.76 ratio, electric speedo
RMTS5-47-3 [71473]	96-'97 F-series 7.5L, 5 speed, 2WD, 5.72-0.76 ratio, electric speedo	RMTS5-47M-2 [71474]	1999 F-series 5.4L & 6.8L, 5 speed, 4WD, 5.72-0.76 ratio, electric speedo
RMTS5-47-4 [71940]	96-'97 F-series 7.5L, 5 speed, 4WD, 5.72-0.76 ratio, electric speedo	RMTS5-47M-3 [70718]	99-'01 F-series 5.4L & 6.8L, 5 speed, 2WD, 5.72-0.76 ratio, electric speedo
RMTS5-47-5 [78482]	96-'97 F-series 7.5L, 5 speed, 2WD, 5.07-0.77 ratio, electric speedo	RMTS5-47M-4 [79687]	99-'01 F-series 5.4L & 6.8L, 5 speed, 4WD, 5.72-0.76 ratio, electric speedo

Ford S6-S650F

PART #	Description	PART #	Description
RMTS6-650F-1 [77870]	01-'03 F-series 7.3L, 6 speed, 2WD, 5.79-0.72 ratio, electric speedo	RMTS6-650F-5 [73648]	99-'00 F-series 7.3L, 6 speed, 2WD, 5.79-0.72 ratio, electric speedo
RMTS6-650F-10 [73323]	02-'07 F-series 5.4L & 6.8L, 6 speed, 2WD, 5.79-0.72 ratio, epectrick speedo	RMTS6-650F-6 [79268]	99-'00 F-series 7.3L, 6 speed, 4WD, 5.79-0.72 ratio, electric speedo
RMTS6-650F-11 [73499]	03-'09 F-series 5.4L & 6.8L, 6 speed, 4WD, 5.79-0.72 ratio, 34 spline output	RMTS6-650F-7 [75749]	08-'10 F-series 5.4L & 6.8L, 6 speed, 2WD, 5.79-0.72 ratio, electric speedo
RMTS6-650F-2 [74968]	01-'03 F-series 7.3L, 6 speed, 4WD, 5.79-0.72 ratio, 24 spline output	RMTS6-650F-8 [70478]	08-'10 F-series 7.3L, 6 speed, 2WD, 5.79-0.72 ratio, electric speedo
RMTS6-650F-4 [75930]	02-'04 F-series 5.4L & 6.8L, 6 speed, 4WD, 5.79-0.72 ratio, 24 spline output	RMTS6-650F-9 [76453]	2003 F-series 7.3L, 6 speed, 4WD, 5.73-0.72 ratio, 34 spline output

Ford T18

PART #	Description	PART #	Description
RMT18F-1 [70574]	73-'93 F-series, 4 speed, 2WD, iron case, 12" tail, cable speedo	RMT18F-6 [70005]	87-'93 F-series & Bronco, 4 speed, 4WD, cast iron
RMT18F-2 [71010]	73-'93 F-series, 4 speed, 2WD, iron case, 4" tail, cable speedo		

Ford T19

PART #	Description	PART #	Description
RMT19F-1 [71734]	83-'87 F250 & F350 w 6.9L or 7.5L, 4 speed, 2WD, cast iron	RMT19F-2 [78082]	83-'87 F250 & F350 w 6.9L or 7.5L, 4 speed, 4WD, cast iron

Ford T5

PART #	Description	PART #	Description
RMT5F-1 [30438]	83-'84 Mustang, 5 speed, 4 cylinder, non-world class	RMT5F-5 [74442]	94-'95 Mustang Cobra & Pace Car, 5 speed, V8
RMT5F-10 [30439]	87-'93 Mustang, 5 speed, 4 cylinder, world class	RMT5F-6 [78525]	94-'95 Mustang, 5 speed, V8
RMT5F-11 [71560]	08-'10 Mustang 4.0L, 5 speed, bolt on rear yoke w/o balancer	RMT5F-7 [73181]	94-'98 Mustang V6, 5 speed
RMT5F-2 [71846]	83-'84 Mustang & Capri V8, 5 speed	RMT5F-8 [77040]	05-'07 Mustang 4.0L, 5 speed, bolt on rear yoke w/balancer
RMT5F-3 [30440]	85-'86 Mustang, 5 speed, 4 cylinder, world class	RMT5F-9 [75326]	99-'04 Mustang 3.8L & 3.9L, 5 speed
RMT5F-4 [73952]	85-'93 Mustang V8, 5 speed		

Ford T56

PART #	Description
RMT56F-1 [30433]	03 & up Mustang Cobra, 6 speed

Ford TR3650

PART #	Description	PART #	Description
RMT3650F-1 [71851]	01-'04 Mustang 4.6L, 5 speed	RMT3650F-2 [72560]	05-'10 Mustang 4.6L, 5 speed

Ford Misc.

PART #	Description	PART #	Description
RMT3040 [76961]	98-'03 Escort, DOHC, 5 speed	RMTM5R2F-2 [73658]	88-'96 F150 & F250, 5 speed, 4WD
RMT3506B [78454]	00-'03 Focus, DOHC, 5 speed	RMTM5R2F-3 [71366]	92-'96 F150 & F250, 5 speed, 2 WD, no VSS or speedo
RMT3763 [75038]	01-'04 Escape & Tribute, 5 speed	RMTM5R2F-4 [70867]	97-'98 F150 & F250, 5 speed, 2WD, 6 cylinder, gear driven VSS
RMT50613 [77904]	04-'06 Mazda 3, 5 speed, ABS	RMTM5R2F-5 [79525]	97-'98 F150 & F250, 5 speed, 4 WD, 6 cylinder
RMT51626 [70386]	10-'13 Mazda 3, 2.5L, 6 speed	RMTM5R2F-6 [30478]	97-'98 F150 & F250 V8, 5 speed, 2WD, gear driven CSS
RMT674 [72246]	2009 Fusion & Milan 2.3L, 5 speed	RMTM5R2F-7 [74396]	97-'98 F150 & F250 V8, 5 speed, 4WD
RMTFM132F-1 [71960]	88-'92 Bronco II & Ranger 2.9L, 5 speed, 2WD, steel pan	RMTM5R2F-8 [73709]	99-'08 F150 & F250, 5 speed, 2WD, 6 cylinder
RMTFM145F-1 [73088]	85-'87 Bronco II & Ranger, 5 speed, 4WD, steel pan, 10.5" tail	RMTM5R2F-9 [77752]	99-'04 F150 & F250, 5 speed, 4WD, 6 cylinder
RMTFM146F-1 [70785]	89-'93 Bronco II & Ranger, 5 speed, 4WD, steel pan, 13" tail	RMTM5XF-2 [77427]	91-'97 Escort, 1.6L & 1.9L, 5 speed, stamped steel cover
RMTM5R2F-10 [30477]	99-'03 F150 & F250 V8, 5 speed, 2WD, magnetic VSS	RMTM5XF-3 [79298]	91-'97 Escort, 1.8L & 2.0L, 5 speed, stamped steel cover
RMTM5R2F-11 [78406]	99-'03 F150 & F250 V8, 5 speed, 2WD	RMTMTX75F-4 [73647]	97-'02 Countour & Mystique 2.5L, all alluminum cable shift
RMTM5R2F-1G [78422]	88-'92 F150 & F250, 5 speed, 2WD, green speedo	RMTRKEF-1 [78353]	89-'93 Cougar & T-Bird, 5 speed
	88-'92 F150 & F250, 5 speed, 2WD, white speedo		

Geo Misc.

PART #	Description	PART #	Description
RMT59644A [30434]	90-'98 Tracker & Sidekick, 5 speed, 2WD	RMTMV3C-1 [75602]	89-'00 Metro, 5 speed

GM AISN

PART #	Description
RMT1126 [70449]	10-'15 Camaro, V6, 6 speed

GM AR5

PART #	Description	PART #	Description
RMTMA5-1 [30481]	04-'12 Colorado & Canyon 2.9L, 5 speed, 4WD	RMTMA5-3 [30483]	07-'10 Hummer H3 3.7L, 5 speed, 4WD
RMTMA5-2 [30482]	04-'12 Colorado & Canyon 2.9L, 5 speed, 2WD		

GM CH465/ Muncie

PART #	Description	PART #	Description
RMT465C-1 [79690]	68-'72, 4 speed, 2DW, cast iron top cover, threaded bottom holes	RMT465C-4 [73138]	73-'84, 4 speed, 2WD, 10 spline output shaft
RMT465C-2 [71011]	68-'72, 4 speed, 2WD, 10 spline output shaft	RMT465C-5 [72916]	88-'91, 4 speed, 4WD, aluminum top cover
RMT465C-3 [70886]	73-'87, 4 speed, 2WD, cast iron top cover, threaded bottom holes	RMT465C-6 [78945]	85-'87, 4 speed, 4WD
		RMT465C-7 [73993]	88-'91, 4 speed, 4WD, aluminum top cover

GM 290

PART #	Description	PART #	Description
RMT290C-1 [78120]	88-'92 Van 1500 & 2500, 5 speed, 2WD, integral bell	RMT290C-3 [72332]	93-'95 Van 1500 & 2500, 5 speed, 2WD, integral bell, 1 shift rail, external slave
RMT290C-11 [77849]	99-'07 Silverado & Sierra 1500, 5 speed, 2WD, integral bell, 1 shift rail	RMT290C-4 [74864]	93-'95 Van 1500 & 2500, 5 speed, 4WD
RMT290C-14 [74091]	99-'07 Silverado & Sierra 1500, 5 speed, 4WD, integral bell, 1 shift rail	RMT290C-5 [72579]	96-'98 1500, 5 speed, 2WD, integral bell, 1 shift rail, integrated slave
RMT290C-2 [75873]	88-'92 Van 1500 & 2500, 5 speed, 4WD	RMT290C-6 [78853]	96-'98 Van 1500 & 2500, 5 speed, 4WD, integrated slave

GM M86

PART #	Description
RMT571 [75703]	2008 Cobalt 2.2L, 5 speed

GM Misc.

PART #	Description	PART #	Description
RMT1376 [71720]	11-'16 Cruze 1.4L, 6 speed	RMTMR8C-1 [73579]	83-'99 FWD passenger car, 5 speed, aluminum cover
RMT4692 [74265]	12-'15 Sonic 1.4L, 6 speed	RMTMR8C-2 [79184]	96-'99 FWD passenger car 2.4L, 5 speed, aluminum cover
RMTM12C-1 [74155]	01-'04 Corvette, 6 speed, LS6 & Z06	RMTSAGCAR3SPD [72452]	77-'86 passenger car, 3 speed, 7 bolt side cover
RMTM21C-2 [70581]	63-'65 passenger car, 4 speed, Alum., 7 bolt side cover, 27 spline output	RMTT10GMCARS [30504]	74 & up passenger car, 4 speed
RMTM21C-3 [71968]	63-'65 passenger car, 4 speed, Alum., 7 bolt side cover, 32 spline output	RMT564NEW [71173]	2008 Cobalt, 2.4L

GM NV1500

PART #	Description	PART #	Description
RMT1500C-1 [72516]	96-'99 S10, S15 & Sonoma 2.2L, 5 speed, 2WD, integral bell housing	RMT1500C-2 [76653]	99-'03 S10, S15 & Sonoma 2.2L, 5 speed, 2WD, integral bell housing

GM NV3500

PART #	Description	PART #	Description
RMT290C-10 [78319]	96-'97 S10, S15 & Sonoma 4.3L, 5 speed, 2WD, integral bell	RMT290C-16 [30415]	90-'92 S10, S15 & Sonoma 4.3L, 5 speed, 4WD, integral bell, aluminum shift pod
RMT290C-12 [71349]	98-'03 S10 & S15 4.3L, 5 speed, 2WD, I shift rail	RMT290C-7 [75401]	93-'95 S10, S15 & Sonoma, 4.3L, 5 speed, 2WD, integral bell, external slave
RMT290C-13 [70853]	98-'05 S10, S15 & Sonoma 4.3L, 5 speed, integral bell, internal slave cylinder	RMT290C-8 [70656]	93-'95 S10, S15 & Sonoma, 4.3L, 5 speed, 4WD, integral bell, external slave
RMT290C-15 [74845]	98-'05 S10, S15 & Sonoma 4.3L, 5 speed, integral bell, external slave cylinder	RMT290C-9 [76964]	96-'97 S10, S15 & Sonoma, 4.3L, 5 speed, 2WD, integral bell, external slave

GM NV4500

PART #	Description	PART #	Description
RMT4500C-1 [76277]	91-'94 P/U, 2WD, external slave, round top cover, no brake	RMT4500C-2 [79380]	91-'94 P/U, 4WD, external slave, round top cover
RMT4500C-10 [71045]	01-'07 Silverado 2500 & 3500, 4WD	RMT4500C-20 [30427]	96-'00 P-series, 2WD, internal slave, round top cover, w/o e-brake
RMT4500C-11 [72676]	01-'07 Silverado 2500 & 3500, 2WD	RMT4500C-21 [75440]	96-'00 P-series, 2WD, internal slave, round top cover, w/ e-brake
RMT4500C-12 [78671]	94-'95 C3500HD, 2WD, external slave, square top cover, w/brake	RMT4500C-21CPT [73444]	96-'00 P-series, 2WD, internal slave, round top cover, w/ e-brake
RMT4500C-13 [70555]	96-'98 C3500HD, 2WD, internal slave, cast iron case	RMT4500C-3 [72257]	95-'94 P/U, 2WD, internal slave, square top cover, bolt on yoke
RMT4500C-14 [30422]	99-'02 P/U, 6.5L, 2WD, internal slave, w/brake	RMT4500C-4 [71755]	94-'95 P/U, 4WD, external slave, square top cover, no brake
RMT4500C-15 [79411]	01-'02 C3500HD, 8.1L, 2WD, internal slave, cast iron case	RMT4500C-5 [73146]	91-'94 P/U, 2WD, external slave, round top cover, w/brake
RMT4500C-16 [30423]	92-'94 P-series, 2WD, external slave, round top cover, w/o e-brake	RMT4500C-6 [70293]	96-'98 P/U, 2WD, internal slave
RMT4500C-17 [30424]	92-'94 P-series, 2WD, external slave, round top cover, w/ e-brake	RMT4500C-7 [76554]	96-'98 K2500 & K3500, 4WD, internal slave, non-synchro reverse
RMT4500C-18 [30425]	94-'95 P-series, 2WD, external slave, round top cover, w/o e-brake	RMT4500C-8 [73637]	99-'04 P/U, 2WD, non-HD, exhaust hanger bolts to bell
RMT4500C-19 [30426]	94-'95 P-series, 2WD, external slave, round top cover, w/ e-brake	RMT4500C-9 [78616]	99-04 P/U, 4WD, non-HD, exhaust hanger bolts to bell

GM ZF S6-40

PART #	Description	PART #	Description
RMTS6-40-1 [30492]	1989 Corvette, 6 speed, L98 engine	RMTS6-40-4 [30497]	1991 Corvette, 6 speed, LT5 engine
RMTS6-40-10 [30493]	1994 Corvette, 6 speed, LT5 engine	RMTS6-40-5 [79593]	92-'93 Corvette, 6 speed
RMTS6-40-11 [30494]	95-'96 Corvette, 6 speed, LT1 & LT4 engine	RMTS6-40-6 [30498]	92-'93 Corvette, 6 speed, LT5 engine
RMTS6-40-12 [30495]	95-'96 Corvette, 6 speed, LT5 engine	RMTS6-40-7 [30499]	1993 Corvette, 6 speed, LT1 engine
RMTS6-40-2 [30496]	89-'90 Corvette, 6 speed, LT5 engine	RMTS6-40-8 [30500]	1993 Corvette, 6 speed, LT1 engine
RMTS6-40-3 [76316]	90-'91 Corvette, 6 speed	RMTS6-40-9 [30501]	1994 Corvette, 6 speed, LT1 engine

GM ZF S6-650C

PART #	Description
RMTS6-650C-3 [30502]	01-'06 P/U 6.6L & 8.1L, 6 speed, 2WD
RMTS6-650C-6 [70313]	03-'06 Topkick 6.6L, 6 speed, 2WD, 5.79-0.72 ratio

GM T10

PART #	Description
RMT10C-2 [71130]	74-'82 car, 4 speed, Alum., 9 bolt side cover

GM T56

PART #	Description	PART #	Description
RMT56C-1 [77577]	94-'97 Camaro & Firebird, 6 speed, external slave cylinder	RMT56C-3 [71155]	97-'04 Corvette, 6 speed, non-LS or Z06
RMT56C-2 [79480]	94-'97 Camaro & Firebird, 6 speed, internal slave cylinder	RMT56C-4 [70647]	04-'06 GTO, 6 speed

GM T5

PART #	Description	PART #	Description
RMT5C-1 [30435]	83-'87 Camaro & Firebird, 5 speed, w/top cover, shifter in tail	RMT5C-4 [30437]	88-'29 Camaro & Firebird V8, 5 speed, w/top cover, shifter in tail
RMT5C-10 [79669]	89-'93 S10, S15 & Sonoma, 5 speed, 2DW, Alum., tail & top cover	RMT5C-5 [77637]	93-'95 Camaro & Firebird 3.4L, 5 speed, w/top cover, shifter in tail
RMT5C-11 [73551]	94-'95 S10, S15 & Sonoma 2.5L, 5 speed, 2WD, Alum., tail & top cover		96-'02 Camaro & Firebird 3.8L, 5 speed, w/top cover, shifter in tail
RMT5C-2 [76011]	83-'87 Camaro & Firebird V8, 5 speed, w/top cover, shifter in tail	RMT5C-7 [74974]	83-'89 S10, S15 & Sonoma, 5 speed, 4WD, Alum., tail & top cover
RMT5C-3 [30436]	88-'92 Camaro & Firebird V6, 5 speed, w/top cover, shifter in tail		

Hyundai Misc.

PART #	Description	PART #	Description
RMT61126B [78998]	01-'06 Elantra 2.0L, 5 speed	RMT61535 [30447]	03-'08 Tiburon 2.7L, 5 speed

Jeep AX15

PART #	Description	PART #	Description
RMTAX15J-1 [76174]	89-'91 Wrangler, 5 speed, 4WD, 6 cylinder, internal slave	RMTAX15J-6 [79323]	94-'00 Cherokee, 5 speed, 4WD, 6 cylinder, internal slave
RMTAX15J-2 [30450]	87-'91 Cherokee, 5 speed, 4WD, internal slave	RMTAX15J-7 [30451]	89-'92 Cherokee, 5 speed, 2WD, 6 cylinder
RMTAX15J-3 [70967]	92-'93 Wrangler, 5 speed, 4WD, internal slave	RMTAX15J-8 [72891]	97-'99 Wrangler, 5 speed, 4WD, 6 cylinder, internal slave
RMTAX15J-4 [77252]	92-'93 Wrangler, 5 speed, 4WD, internal slave	RMTAX15J-9 [30452]	92-'96 Cherokee, 5 speed, 2WD, 6 cylinder
RMTAX15J-5 [73073]	94-'95 Wrangler, 5 speed, 4WD, internal slave		

Jeep AX5

PART #	Description	PART #	Description
RMTAX5J-1 [70887]	84-'86 CJ, 5 speed, 4WD, w/207 T-case	RMTAX5J-5 [30455]	94-'96 Cherokee, 5 speed, 4WD, 4 cylinder, external slave
RMTAX5J-10 [78922]	94-'96 Cherokee, 5 speed, 2WD, 4 cylinder, external slave	RMTAX5J-6 [78010]	92-'93 Wrangler, 5 speed, 4WD, internal slave
RMTAX5J-11 [30453]	97-'00 Cherokee, 5 speed, 2WD, 4 cylinder, external slave	RMTAX5J-7 [71196]	92-'93 Wrangler, 5 speed, 2WD, internal slave
RMTAX5J-2 [72526]	87-'91 Wrangler, 5 speed, 2WD, 4 cylinder, internal slave	RMTAX5J-8 [70403]	97-'02 Wrangler, 5 speed, 4WD, 4 cylinder, cases bolt on center plate
RMTAX5J-3 [30454]	87-'93 Cherokee, 5 speed, 4WD, 4 cylinder, internal slave	RMTAX5J-9 [30456]	97-'00 Cherokee, 5 speed, 4WD, 4 cylinder, external slave
RMTAX5J-4 [79562]	94-'95 Wrangler, 5 speed, 4WD, external slave		

Jeep NSG370

PART #	Description	PART #	Description
RMTNSG370-1 [70949]	2005 Wrangler 2.4L, 6 speed, 4WD	RMTNSG370-2 [70514]	2005 Wrangler 4.0L, 6 speed, 4WD
RMTNSG370-10 [70835]	07-'08 Wrangler 3.8L, 6 speed, 2WD	RMTNSG370-7 [73743]	2005 Liberty 3.7L, 6 speed, 4WD
RMTNSG370-11 [30485]	09-'10 Wrangler 3.8L, 6 speed, 2WD	RMTNSG370-9 [79600]	07-'10 Liberty & Wrangler 3.8L, 6 speed, 4WD

Jeep NV1500

PART #	Description	PART #	Description
RMT1500J-1 [71574]	02-'04 Liberty, 5 speed, 2WD, 6.75" input, w/o integral bell	RMT1500J-3 [78565]	03-'04 Wrangler, 5 speed, 4WD, 7 3/8" input, removable bell
RMT1500J-2 [30414]	02-'04 Liberty, 5 speed, 4WD, w/ integral bell		

Jeep NV3550

PART #	Description	PART #	Description
RMT3550J-1 [70339]	00-'01 Cherokee, 5 speed, 4WD	RMT3550J-6 [77346]	02-'04 Liberty, 5 speed, 4WD, integral bell
RMT3550J-2 [30420]	00-'01 Cherokee, 5 speed, 2WD	RMT3550J-7 [77477]	02-'04 Liberty, 5 speed, 2WD
RMT3550J-3 [73171]	00-'04 Wrangler, 5 speed, 4WD		

Jeep NVT355

PART #	Description
RMT1393 [73190]	07-'16 Compass & Patriot 2.4L, 5 speed, AWD

Jeep T4

PART #	Description
RMT4J-2 [79357]	82-'86 CJ, 4 speed, 4WD, 6 cylinder, 10 spline input

Jeep T5

PART #	Description	PART #	Description
RMT5J-1 [30441]	82-'86 CJ, 5 speed, 4WD, 4 cylinder, 14 spline input, Alum.	RMT5J-2 [30442]	82-'86 CJ, 5 speed, 4WD, 4 cylinder, 10 spline input, Alum.

Mitsubishi Misc.

PART #	Description	PART #	Description
RMT50358 [72832]	06-'08 Eclipse 3.8L, 6 speed	RMTD50X422L [30459]	D50 2.0L, 2WD
RMT60190 [30443]	95-'99 Eclipse & Talon	RMTTALONF5M33 [71077]	90 & up Talon, 5 speed, AWD, turbo

Nissan Misc.

PART #	Description	PART #	Description
RMT61048 [76752]	00-'01 Maxima, 5 speed	RMTNIHB4X24CY [30484]	Hardbody, 5 speed, 2WD, 4 cylinder
RMT61861 [76977]	05-'06 Altima & Maxima, 6 speed		

Suzuki Misc.

PART #	Description
RMTSAM [70460]	Samurai, 5 speed

Toyota Misc.

PART #	Description	PART #	Description
RMT50441 [70846]	07-'09 Camry, 4 cylinder	RMTTOYCARB4X4 [79099]	84 & up, 4WD
RMT59986 [76226]	93-'97 Corolla, 5 speed	RMTTOYEFI4X2 [72258]	85 & up, 5 speed, 2WD, 4 cylinder
RMT60513 [30444]	97-'02 Camry & Solara, 5 speed, 6 cylinder	RMTTOYEFI4X4 [79242]	85-'87, 5 speed, 4WD, 4 cylinder
RMT61159 [78833]	01-'03 Rav4, 4WD	RMTTOYEFI4X4-L [76967]	88 & up, 5 speed, 4WD, 4 cylinder
RMT61421 [73953]	03-'08 Corolla, Matrix & Vibe, 5 speed	RMTTOYV64X4 [75436]	V6, 5 speed, 4WD

Volkswagen Misc.

PART #	Description	PART #	Description
RMT51400 [74592]	09-'17 Jetta & Golf, 6 speed	RMT61531 [30446]	20-'03 Golf, 6 speed

Remanufactured Transfer Cases



- Cases & internals thoroughly inspected for cracks, wear, & stripped threads
- Shaft straightness, gear wear, & chain stretch extensively tested
- Viscous coupler always replaced
- Spin-tested for shiftability & noise level



BMW ATC300

PART#	Description
RTC27107599693 [73363]	06-'11 325i & 330i

BMW ATC400

PART#	Description	PART#	Description
RTC27103455137 [74515]	07-'10 X3, automatic trans	RTC27107619776 [75387]	2011 X3
RTC27103455139 [79569]	04-'06 X3		

BMW ATC450

PART#	Description
RTC27107643752 [76458]	11-'14 X6, 4.4L & 4.6L

BMW ATC500

PART#	Description	PART#	Description
RTC27107555297 [72117]	04-'06 X5	RTC27107635753 [73378]	11-'12 X5 & X6, 3.0L
RTC27107599889 [73110]	07-'11 X5		

BMW NV124

PART#	Description	PART#	Description
RTC27107509763 [30505]	01-'03 325i & 330i, auto trans	RTC27107530812 [75101]	03-'05 325i & 330i

Dodge BW4444

PART#	Description
RTC4444D-1 [76161]	11-'15 Ram 1500, elec shift, 23 spline input, 32 spline outputs

Dodge BW4446

PART#	Description	PART#	Description
RTC4446D-1 [78152]	12-'13 Ram, elec shift, 29 spline input, rear slip yoke	RTC4446D-2 [74969]	2012 Ram 3500, electric shift

Dodge BW4447

PART#	Description	PART#	Description
RTC4447D-1 [76345]	12-'14 Ram, manual shift	RTC4447D-6 [30515]	13-'17 Ram 3500, 6.7L, w/Aisin AS69RC trans, rear slip yoke
RTC4447D-2 [77300]	2012 Ram 3500, manual shift		
RTC4447D-3 [30514]	12-'14 Ram		

Chrysler Misc.

PART#	Description	PART#	Description
RTC04591953A1 [77373]	05-'07 Magnum & 300	RTC4641900AB [75959]	02-'04 Town & Country, 7.5" long yoke
RTC4641900AA [73074]	2001 Town & Country, 9" long yoke		

Chrysler NP126

PART#	Description
RTC126G-1 [70454]	02-'09 Trailblazer & Bravada, single speed, electric shift

Chrysler NP205

PART#	Description	PART#	Description
RTC205D-2 [73244]	80-'87 W-series, gas engine	RTC205D-4 [71161]	89-'93 D-series, diesel, direct mount, 23 spline input, auto trans
RTC205D-3 [78903]	89-'93 D-series, diesel, direct mount, 29 spline input, manual trans		

Chrysler NP208

PART#	Description	PART#	Description
RTC208D-1 [30508]	80-'82 D-series, RH mount, 23 spline input, fixed yokes	RTC208D-2 [72821]	82-'87 W-series, RH mount, 23 spline input, fixed rear yoke

Dodge NP231

PART#	Description	PART#	Description
RTC231D-1 [71530]	88-'92 Dakota, 23 spline input, 26 spline output, w/speedo	RTC231D-5 [70720]	96-'97 Ram 1500, 23 spline input, 32 spline rear slip yoke, w/speedo
RTC231D-10 [71018]	98-'01 Ram 1500, 23 spline input, auto trans, w/o speedo	RTC231D-6 [73318]	96-'97 Dakota, 23 spline input, 27 spline output, w/speedo
RTC231D-11 [73331]	2000 Dakota & Durango, 23 spline input, auto trans, w/o speedo	RTC231D-8 [71204]	98-'99 Dakota, 23 spline input, 27 spline rear slip yoke, w/o speedo
RTC231D-2 [72861]	1993 Dakota, 23 spline input, 26 spline rear slip yoke, w/speedo	RTC231D-9 [76209]	98-'01 Ram 1500, 23 spline input, 32 spline rear slip yoke, manual trans
RTC231D-3 [79128]	94-'96 Dakota, 23 spline input, 26 spline rear slip yoke, w/speedo	RTC231DHD-1 [77126]	98-'99 Dakota, 23 spline input, 32 spline rear slip yoke, w/o speedo
RTC231D-4 [78886]	94-'97 Ram 1500, 23 spline input, 32 spline rear slip yoke, w/speedo	RTC233D-1 [71551]	01-'04 Dakota & Durango, elec shift, 23 spline input, 32 spline rear slip yoke

Dodge NP233

PART#	Description	PART#	Description
RTC233D-2 [71083]	05-'07 Dakota, elec shift, 23 spline input, 32 spline rear slip yoke, w/o speedo	RTC233D-3 [79143]	08-'11 Dakota, elec shift, 23 spline input, 32 spline rear slip yoke, w/o speedo

Dodge NP241

PART#	Description	PART#	Description
RTC241D-1 [76591]	88-'93 Ram 1500, 23 spline input, fixed rear yoke, 1.75" speedo	RTC241DHD-8 [73393]	98-'02 Ram 2500/3500, 23 spline input, 31 spline rear slip yoke, w/PTO, w/o speedo
RTC241D-2 [77892]	02-'03 Ram 1500, manual shift, 23 spline input, Front & rear slip yokes	RTC241DHD-9 [30510]	1997 Ram 3500, 23 spline input, 32 spline rear slip yoke, w/PTO & speedo
RTC241D-3 [70750]	04-'05 Ram 1500, manual shift, 23 spline input, Front & rear slip yokes	RTC241DLD-1 [77445]	94-'97 Ram 2500, 23 spline input, 32 spline rear slip yoke, w/speedo
RTC241DHD-1 [78728]	94-'96 Ram 2500 & 3500, 23 spline input, 32 spline Front yoke, w/PTO	RTC241DLD-2 [71519]	94-'97 Ram 2500, 29 spline input, 32 spline rear slip yoke, w/speedo
RTC241DHD-2 [30509]	94-'96 Ram 2500, 23 spline input, 32 spline rear slip yoke, round Front yoke	RTC241DLD-3 [75314]	94-'97 Ram 2500, 29 spline input, 32 spline rear slip yoke, w/speedo
RTC241DHD-3 [76605]	94-'96 Ram 2500 & 3500, 23 spline input, 32 spline Front yoke, w/PTO	RTC241DLD-4 [77875]	98-'01 Ram 2500/3500, 23 spline input, 32 spline rear slip yoke, w/speedo
RTC241DHD-4 [78863]	1997 Ram 3500, 29 spline input, 31 spline rear slip yoke, w/PTO & speedo	RTC241DLD-6 [78133]	98-'01 Ram 2500/3500, 23 spline input, 32 spline rear slip yoke, w/o speedo
RTC241DHD-5 [73237]	1997 Ram 2500/3500, 23 spline input, 31 spline rear slip yoke, w/PTO & speedo	RTC241DLD-7 [71012]	98-'02 Ram 2500, 23 spline input, 32 spline rear slip yoke, w/o speedo
RTC241DHD-6 [79171]	98-'02 Ram 2500/3500, 29 spline input, 31 spline rear slip yoke, w/PTO, w/o speedo	RTC241DLD-8 [74805]	98-'02 Ram 2500/3500, 29 spline input, 32 spline rear slip yoke, w/o speedo
RTC241DHD-7 [72307]	98-'01 Ram 2500/3500, 23 spline input, 31 spline rear slip yoke, w/PTO, w/o speedo		

Dodge NP242

PART#	Description	PART#	Description
RTC242D-1 [72235]	98-'99 Dakota & Durango, 23 spline input, 32 spline rear slip yoke, w/o speedo	RTC242D-2 [76056]	2000 Dakota & Durango, 23 spline input, 32 spline rear slip yoke, w/o speedo

Dodge NP243

PART#	Description	PART#	Description
RTC243D-1 [74932]	02-'05 Ram 1500, elec shift, 23 spline input, 32 spline rear slip yoke	RTC243D-4 [30512]	07-'09 Dakota, electric shift, manual trans
RTC243D-2 [71853]	06-'12 Ram 1500, elec shift, 23 spline input, 32 spline rear slip yoke	RTC243D-5 [70756]	06-'11 Dakota & Raider, elec shift, 23 spline input, 32 spline rear slip yoke, auto trans
RTC243D-3 [30511]	2006 Dakota, electric shift		

Dodge NP244

PART#	Description	PART#	Description
RTC244D-1 [70475]	01-'04 Dakota & Durango, 23 spline input, 32 spline rear slip yoke, w/o speedo	RTC244D-3 [72553]	05-'06 Dakota & Raider, 23 spline input, 32 spline rear slip yoke, w/o speedo
RTC244D-2 [76712]	04-'09 Dakota & Durango, 23 spline input, 32 spline rear slip yoke, w/o speedo	RTC244DHD-1 [79075]	04-'05 Ram 1500, 23 spline input, 32 spline rear slip yoke, AWD

Dodge NP246

PART#	Description	PART#	Description
RTC246D-1 [78254]	06-'08 Ram 1500, elec shift, 23 spline input, 32 spline rear slip yoke, shift-on-demand	RTC246D-2 [71156]	09-'10 Ram 1500, elec shift, 23 spline input, 32 spline rear slip yoke, shift-on-demand

Dodge NP271

PART#	Description	PART#	Description
RTC271D-1 [76367]	03-'12 Ram 2500/3500, 29 spline input, 34 spline rear slip yoke, w/o speedo	RTC271D-4 [74674]	03-'11 Ram 2500/3500, 23 spline input, 34 spline rear slip yoke, w/o speedo
RTC271D-2 [76866]	03-'11 Ram 2500/3500, 23 spline input, 34 spline rear slip yoke, w/o speedo	RTC271D-5 [70889]	07-'12 Ram 3500, manual trans, 29 spline input, w/o speedo
RTC271D-3 [72975]	03-'12 Ram 2500/3500, 29 spline input, 34 spline rear slip yoke, w/o speedo, M/T	RTC271D-6 [30513]	07-'12 Ram 3500, auto trans, 29 spline input, w/o speedo

Dodge NP273

PART#	Description	PART#	Description
RTC273D-1 [74606]	03-'05 Ram 2500/3500, 23 spline input, 34 spline rear slip yoke, w/o speedo	RTC273D-4 [71782]	06-'12 Ram series, 29 spline input, 34 spline rear slip yoke, w/o speedo
RTC273D-2 [70831]	03-'05 Ram 2500/3500, 29 spline input, 34 spline rear slip yoke, w/o speedo	RTC273D-4M [74671]	06-'12 Ram series, 29 spline input, 34 spline rear slip yoke, w/o speedo
RTC273D-3 [77913]	06-'12 Ram series, 23 spline input, 34 spline rear slip yoke, w/o speedo	RTC273D-5 [77707]	07-'12 Ram 3500, elec shift, manual trans, 29 spline input, w/o speedo
RTC273D-3M [78244]	06-'12 Ram series, 23 spline input, 34 spline rear slip yoke, w/o speedo		

Dodge NV133

PART#	Description
RTC133D [30506]	02-'03 Durango, w/o speedo, 32 spline rear slip yoke, cup Front yoke

Dodge NV144

PART#	Description
RTC144D [30507]	04-'07 Durango, 32 spline rear slip yoke, single speed, electric shift

Ford BW1128

PART#	Description	PART#	Description
RTC1128F-1 [77119]	11-'14 F250/F350, 6 speed, manual shift, auto trans, 43 spline input, bolt on yokes	RTC1128F-2 [30516]	11-'14 F250/F350, 6 speed, manual shift, auto trans, 43 spline input, rear slip yoke

Ford BW1345

PART#	Description	PART#	Description
RTC1345F-1 [30517]	80-'82 Bronco, 32 spline output, Front & rear u/bolt yokes, rear slip yoke	RTC1345F-3 [30518]	89-'91 F150/F250, Front & rear u/bolt yokes, .875" speedo
RTC1345F-2 [75182]	82-'87 F-series, Front & rear yokes, lever down		

Ford BW1350

PART#	Description	PART#	Description
RTC271D-1 [76367]	03-'12 Ram 2500/3500, 29 spline input, 34 spline rear slip yoke, w/o speedo	RTC271D-4 [74674]	03-'11 Ram 2500/3500, 23 spline input, 34 spline rear slip yoke, w/o speedo
RTC271D-2 [76866]	03-'11 Ram 2500/3500, 23 spline input, 34 spline rear slip yoke, w/o speedo	RTC271D-5 [70889]	07-'12 Ram 3500, manual trans, 29 spline input, w/o speedo
RTC271D-3 [72975]	03-'12 Ram 2500/3500, 29 spline input, 34 spline rear slip yoke, w/o speedo, M/T	RTC271D-6 [30513]	07-'12 Ram 3500, auto trans, 29 spline input, w/o speedo

Ford BW1354

PART#	Description	PART#	Description
RTC1354F-1 [76497]	98-'00 Explorer & Ranger, elec shift, w/coil, w/o speedo or sensors	RTC1354F-5 [72460]	98-'00 Explorer, elec shift, cup Front yoke, w/o speedo or sensors
RTC1354F-2 [76983]	90-'05 Ranger, electric shift, fixed Front yoke, w/ coil, speedo & sensors	RTC1354F-6 [76853]	00-'07 Explorer & Ranger, elec shift, fixed Front yoke, w/o speedo or sensors
RTC1354F-3 [70657]	90-'05 Ranger, manual shift	RTC1354F-7 [70975]	01-'04 Ranger, manual shift, cup Front yoke, rear flange, w/o speedo or sensors
RTC1354F-4 [79626]	95-'98 Explorer & Ranger, elec shift, fixed Front yoke, w/speedo		

Ford BW1356

PART#	Description	PART#	Description
RTC1356F-1 [75124]	91-'97 F-series, electric shift, Front bolt on yoke, rear slip yoke	RTC1356F-5 [70888]	89-'97 F-series, manual shift, bolt on arm, Front yoke, rear slip yoke, w/o PTO
RTC1356F-10 [77316]	89-'96 Bronco, manual shift, press on arm, w/o PTO, Front yoke, rear flange	RTC1356F-6 [78011]	87-'88 Bronco, manual shift, press on arm, w/o PTO, u/joint yokes
RTC1356F-11 [70719]	87-'89 Bronco, electric shift, Front yoke, rear flange	RTC1356F-7 [76695]	89-'96 Bronco, manual shift, bolt on arm, w/o PTO, u/joint yokes
RTC1356F-11M [74651]	87-'89 Bronco, electric shift, Front yoke, rear flange	RTC1356F-8 [75278]	87-'89 Bronco, manual shift, bolt on arm, w/o PTO, u/joint yokes
RTC1356F-2 [73787]	89-'97 F-series, manual shift, press on arm, Front yoke, rear slip yoke, w/o PTO	RTC1356F-9 [72928]	87-'89 Bronco, electric shift, w/o PTO, u/joint yokes
RTC1356F-3 [78498]	89-'97 F-series, manual shift, press on arm, Front yoke, rear slip yoke, w/ PTO		
RTC1356F-4 [77179]	87-'89 F150/F250, manual shift, bolt on arm, Front yoke, rear slip yoke, w/ PTO		

Ford BW1628

PART#	Description	PART#	Description
RTC1628F-1 [72788]	11-'14 F250/F350, elec shift, 6 speed auto, 43 spline input, bolt on yokes	RTC1628F-2 [30522]	11-'14 F250/F350, elec shift, 6 speed auto, 43 spline input, rear slip yoke

Ford BW4403

PART#	Description	PART#	Description
RTC1628F-1 [72788]	11-'14 F250/F350, elec shift, 6 speed auto, 43 spline input, bolt on yokes	RTC1628F-2 [30522]	11-'14 F250/F350, elec shift, 6 speed auto, 43 spline input, rear slip yoke

Ford BW4404

PART#	Description	PART#	Description
RTC4404F-1 [74362]	96-'97 Explorer & Mountaineer, Front & rear round flanges, w/speedo	RTC4404F-3 [72203]	'98 Explorer & Mountaineer, cup Front yoke, rear flange, w/ speedo
RTC4404F-2 [73596]	1997 Explorer & Mountaineer, 6 bolt cup Front yoke, w/ speedo		

Ford BW4405

PART#	Description	PART#	Description
RTC4405F-1 [79513]	98-'01 Explorer & Mountaineer, Front cup, rear flange, w/o speedo, w/sensors	RTC4405F-3 [70792]	96-'98 Explorer, u/joint Front yoke, round rear flange, w/speedo & sensors
RTC4405F-2 [77347]	95-'97 Explorer, u/joint Front yoke, round rear flange, w/speedo & sensors		

Ford BW4406

PART#	Description	PART#	Description
RTC4406F-1 [75388]	96-'98 F150/F250, manual shift, w/speedo, w/o TOD	RTC4406F-4 [73391]	99-'02 F150/F250/Expedition, elec shift, w/sensors & TOD, w/o speedo
RTC4406F-2 [74335]	96-'98 F150/F250, manual shift, w/speedo, w/o TOD	RTC4406F-5 [72315]	99-'08 F150/F250, w/o speedo, w/o TOD
RTC4406F-3 [78106]	97-'98 F150/F250/Expedition, elec shift, w/speedo & sensors, w/o TOD	RTC4406F-6 [74878]	99-'08 F150/F250, w/ speedo, w/o TOD
		RTC4406F-7 [72630]	06-'08 F-series, elec shift, AWD, w/o speedo or sensors

Ford BW4407

PART#	Description	PART#	Description
RTC4407F-1 [30525]	94-'97 F650, manual shift, w/ PTO	RTC4407F-2 [75923]	96-'97 F-series, manual shift, u/joint yoke, w/o PTO

Ford BW4410

PART#	Description
RTC4410F-1 [76655]	02-'05 Explorer & Mountaineer, AWD, Front cup yoke, rear flange

Ford BW4411

PART#	Description	PART#	Description
RTC4411F-1 [71208]	02-'04 Explorer & Mountaineer, elec shift, Front cup yoke, rear flange, w/o speedo	RTC4411F-3 [77605]	03-'05 Aviator & Mountaineer, cup Front yoke, rear flange, w/o sensors
RTC4411F-2 [72011]	04-'05 Explorer & Mountaineer, elec shift, cup Front yoke, rear flange, w/o speedo		

Ford BW4412

PART#	Description	PART#	Description
RTC4412F-1 [70395]	06-'10 Explorer & Mountaineer 4.6L, 6 speed, cup Front yoke, rear flange	RTC4412F-4 [72053]	07-'10 Explorer Sport Trac, 5 speed auto, Front & rear yoke, w/TOD
RTC4412F-2 [78414]	06-'10 Explorer & Mountaineer 4.0L, 5 speed auto, elec shift, two speed	RTC4412F-5 [75850]	08-'10 Explorer Sport Trac, 6 speed auto, Front & rear yoke, w/TOD
RTC4412F-3 [71301]	06-'10 Explorer & Mountaineer 4.6L, 6 speed auto, elec shift, single speed	RTC4412F-6 [76487]	2006 Explorer/Mountaineer, 5 speed auto, Front yoke, rear flange, single speed, AWD

Ford BW4414

PART#	Description
RTC4414F-1 [73462]	04-'10 Explorer/Mountaineer, 28 spline input, single speed, w/o speedo or sensors

Ford BW4416

PART#	Description	PART#	Description
RTC4416F-1 [76397]	02-'04 F150 & Expedition, electric shift, 31 spline input, w/o speedo, w/TOD	RTC4416F-2 [70130]	05-'06 Navigator, electric shift, 31 spline input, w/o speedo, w/TOD, rear slip yoke

Ford BW4417

PART#	Description
RTC4417F-1 [70349]	07-'14 Expedition/Navigator, elec shift, 31 spline input, rear slip yoke, w/TOD

Ford BW4418

PART#	Description
RTC4418F-1 [30526]	09-'11 F150, manual shift

Ford BW4419

PART#	Description
RTC4419F-1 [75138]	09-'14 F150, electric shift, w/o TOD or speedo

Ford Dana 28

PART#	Description	PART#	Description
RTC28F-1 [70663]	90-'92 Aerostar, w/ speedo	RTC28F-2 [30523]	93-'97 Aerostar, w/o speedo

Ford Misc.

PART#	Description	PART#	Description
RTC569 [72614]	04-'12 Escape & Mariner	RTCEDGE [70260]	07-'13 Edge
RTC594 [77442]	0-'12 Fusion & Milan	RTC461 [74142]	01-'09 Escape & Mariner

Ford NP203

PART#	Description
RTC205F-1 [76654]	76-'77 F150 & Bronco, part time, remote mount, external spline input
RTC205F-2 [71810]	77-'79 F150 & Bronco, part time, direct mount, external spline input

Ford NP208

PART#	Description	PART#	Description
RTC208F-1 [77062]	80-'86 F150 & Bronco, u/bolt yokes, non-synchro	RTC208F-2 [70472]	80-'86 F150 & Bronco, Front u/bolt yoke, rear slip yoke, non-synchro

Ford NP271

PART#	Description	PART#	Description
RTC271F-1 [75279]	99-'04 F-series, manual shift, 31 spline input, 4 speed auto or 5 speed manual trans	RTC271F-3 [79232]	03-'06 F-series, manual shift, 6 speed trans, 34 spline input, w/o speedo
RTC271F-2 [75785]	99-'05 F250, 6 speed trans, manual shift, 24 spline input, w/o speedo	RTC271F-4 [77317]	07-'10 F-series, 6 speed trans, manual shift, 37 spline input, w/o speedo
		RTC271F-5 [30522]	08-'10 F250 & F350, 34 spline input, rear slip yoke

Ford NP273

PART#	Description	PART#	Description
RTC273F-1 [77900]	99-'05 Super Duty, 6 speed trans, electric shift, 24 spline input, w/o speedo	M/T, elec shift, 34 spline input	
RTC273F-2 [72020]	99-'03 Excursion/Super Duty, 4 speed auto or 5 speed M/T, elec shift, 31 spline input	RTC273F-4 [78393]	07-'10 Excursion.Super Duty, elec shift, 34 spline input, Front & rear flange
RTC273F-3 [75828]	03-'05 Excursion/Super Duty, 4 speed auto or 5 speed	RTC273F-5 [71300]	08-'10 F250/F350, 34 spline input, rear slip yoke

GM BW1370 & BW4401

PART#	Description	PART#	Description
RTC1370G-1 [71880]	89-'93 K3500, 2 prong, 4" bell Front yoke, bolt on rear yoke	RTC1370G-4 [30527]	1994 K3500, 3 prong, 4" bell Front yoke, slip yoke rear
RTC1370G-2 [79324]	89-'93 K3500, 2 prong, 4" bell Front yoke, rear slip yoke	RTC1370G-5 [77463]	84-'00 F3500, 3 prong, u/joint Front yoke, bolt on rear yoke
RTC1370G-3 [75834]	94-'96 K3500, 3 prong, 4" bell Front yoke, bolt on rear yoke	RTC1370G-6 [73964]	95-'00 K3500, 3 prong, u/joint Front yoke, slip yoke rear

GM BW1372

PART#	Description	PART#	Description
RTC1372G-1 [30528]	90-'95 Astro & Safari van, 27 spline, 4.1" flange	RTC1372G-3 [30529]	91-'95 Vasto van, 32 spline output, 4.1" flange, 5" Front yoke

GM BW1372 & BW4472

PART#	Description	PART#	Description
RTC1372G-2 [72901]	96-'98 Astro/Safari/Bravada, 29 spline output, 4.9" flange	RTC1372G-4 [70791]	96-'97 Astro/Safari/Bravada, 32 spline output, 4.9" flange

GM BW4481

PART#	Description
RTC4481G-1 [76742]	05-'06 Escalade & Denali, 27 spline input, single speed, rear slip yoke

GM BW4470

PART#	Description	PART#	Description
RTC4470G-1 [70303]	90-'93 K3500, 4" bell Front yoke, bolt on rear yoke, 2 prong	RTC4470G-4 [70883]	94-'97 K3500, 4" bell Front yoke, bolt on rear yoke, 3 prong
RTC4470G-2 [30538]	90-'93 K3500, fixed Front yoke, slip yoke rear, 2 prong	RTC4470G-5 [76848]	97-'00 K3500, fixed Front and rear yoke, 3 prong

GM BW4473

PART#	Description
RTC4473G-1 [73562]	03-'10 Express 1500/2500, 27 spline input, rear slip yoke

GM BW4476

PART#	Description
RTC4476G-1 [70606]	04-'06 SRX 3.6L, AWD, w/full length splines

GM BW4477

PART#	Description	PART#	Description
RTC4477G-1 [77651]	08-'09 CTS, 41 spline input, cup Front & rear yoke, AWD, full length splines	RTC4477G-2 [73130]	10-'14 CTS, 41 spline input, cup Front & rear yoke, AWD

GM BW4479

PART#	Description	PART#	Description
RTC4479G-1 [76608]	07-'09 SRX & STS 4.6L, AWD, cup Front & rear yokes, full length splines	RTC4479G-2 [30539]	10-'11 STS 3.6L, cup Front & rear yokes, 2nd design input

GM BW4482

PART#	Description
RTC4482G-1 [79014]	03-'05 P/U, 27 spline input, AWD, two speed

GM BW4484

PART#	Description	PART#	Description
RTC4484G-1 [75622]	03-'07 Hummer H2, 27 spline input, rear slip yoke, female spline output	RTC4484G-1M [74870]	03-'07 Hummer H2, 27 spline input, rear slip yoke, female spline output

GM BW4485

PART#	Description
RTC4485G-1 [76984]	07-'10 Yukon/Suburban/Escalade, 32 spline input, 32 spline

GM BW4493

PART#	Description
RTC4493G-1 [76038]	06-'08 Hummer H3 3.7L, 27 spline input, 32 spline rear slip yoke

GM BW4494

PART#	Description
RTC4494G-1 [79345]	06-'10 Hummer H3 3.7L & 5.3L, 27 spline input, 32 spline rear slip yoke

GM Misc.

GM Misc. PART#	Description	PART#	Description
RTC672 [79309]	08-'15 Equinox 3.0L & 3.6L	RTC727 [77103]	10-'15 Equinox & Terrain 2.4L
RTC6T75G-1 [76748]	07-'11 Acadia & Enclave, single speed		

GM MP1222

PART#	Description	PART#	Description
RTC1222G-1 [78144]	07-'14 Sierra/Silverado 1500, w/4L60 trans, manual shift, 27 spline input	RTC1222G-2 [78617]	07-'14 Sierra/Silverado 1500, w/4L80 trans, manual shift, 27 spline input

GM MP1226

PART#	Description	PART#	Description
RTC1226G-1 [73725]	07-'10 Suburban/Yukon, w/6L90 trans, 29 spline input	RTC1226G-3 [72165]	11-'14 Sierra/Silverado 2500/3500, 6.6L diesel, w/6L90 trans, gas, 29 spline input
RTC1226G-2 [75999]	11-'14 Sierra/Silverado 2500/3500, 6.0L gas, w/6L90 trans, gas, 29 spline input		

GM MP1626

PART#	Description	PART#	Description
RTC1626G-1 [71425]	07-'10 Sierra/Silverado 2500/3500, w/6L90 trans, 29 spline input	RTC1626G-3 [76688]	11-'14 Sierra/Silverado 2500/3500, 6.6L diesel, w/6L90 trans, 33 spline input
RTC1626G-2 [74913]	11-'14 Sierra/Silverado 2500/3500, 6.0L gas, w/6L90 trans, 29 spline input		

GM MP3010

PART#	Description
RTC3010G-1 [77980]	10-'14 P/U, single speed, AWD, 32 spline input & output

GM MP3023

PART#	Description	PART#	Description
RTC3023G-1 [71513]	07-'13 P/U, electric shift, autotrack	RTC3023G-2 [76411]	08-'13 1500, electric shift, autotrack, 32 spline input & output

GM MP3024

PART#	Description
RTC3024G-1 [70096]	08-'13 Silverado/Suburban/Tahoe 2500, 6L90 trans, 29 spline input, 31 spline output

GM NP120

PART#	Description
RTC120G-1 [76940]	6-'07 Trailblazer SS, AWD, 27 spline input, single speed

GM NP136

PART#	Description
RTC136G-1 [72466]	99-'05 Astro & Safari van, elec shift, 27 spline input, rear slip yoke

GM NP/NV149

PART#	Description
RTC149G-1 [70945]	01-'05 1500, 27 spline input, internal spline Front output

GM NP203

PART#	Description	PART#	Description
RTC203G-1 [75457]	73-'79 K-series, full time, 27 spline input	RTC203G-2 [76446]	73-'79 K-series, full time, 32 spline input

GM NP205

PART#	Description	PART#	Description
RTC205G-1 [70241]	69-'77 K-series, 10 spline input & output, bolt on rear yoke	RTC205G-5 [74454]	80-'83 K-series, 32 spline input, bolt on rear yoke, hourglass adapter
RTC205G-2 [77678]	70-'75 K-series, 27 spline input, 10 spline output, bolt on rear yoke, hourglass adapter	RTC205G-6 [75849]	80-'83 K-series, 32 spline input, slip yoke rear, hourglass adapter
RTC205G-3 [30530]	80-'83 K-series, 10 spline input, slip yoke rear, hourglass adapter	RTC205G-7 [79638]	85-'91 K3500, bolt on rear yoke, round adapter
RTC205G-4 [70684]	80-'83 K-series, 27 spline input, slip yoke rear, hourglass adapter	RTC205G-8 [79092]	85-'91 K3500, rear slip yoke, round adapter

GM NP208

PART#	Description	PART#	Description
RTC208G-1 [71525]	81-'86 K10 & K20, 27 spline input, w/TH350 or 700R4 trans, rear slip yoke	RTC208G-2 [78631]	81-'86 K10 & K20, 32 spline input, w/TH400 or 4 speed manual trans, rear slip yoke

GM NP226

PART#	Description
RTC226G-1 [72421]	02-'09 Envoy & Trailblazer, electric shift, 27 spline input

GM NP231

PART#	Description	PART#	Description
RTC231G-1 [30531]	1998 S10 & S15, 27 spline rear output, fixed Front yoke, manual speedo	RTC231G-4 [76498]	94-'95 S10 & S15 extended cab, 32 spline rear output, Front slip yoke
RTC231G-2 [73109]	1998 S10 & S15, 27 spline rear output, fixed Front yoke, vacuum shift	RTC231G-5 [78096]	96-'97 S10 & S15, 32 spline rear output, Front slip yoke, vacuum
RTC231G-3 [79594]	92-'94 S10 & S15, non-extended cab, 32 spline rear output, fixed Front yoke		

GM NP233

PART#	Description	PART#	Description
RTC233G-1 [72354]	92-'94 S10 & S15, non-extended cab, elec shift, 32 spline output, fixed Front yoke	RTC233G-4 [30534]	1994 S10, 27 spline rear output, Front slip yoke, electric speed sensor
RTC233G-2 [30532]	92-'93 S10, 27 spline rear output, Front fixed yoke, elec shift, w/sensor	RTC233G-5 [75352]	96-'05 Blazer/Envoy, elec shift, 32 spline output, Front slip yoke, vacuum
RTC233G-3 [30533]	'94 S10, 32 spline rear output, Front slip yoke, electric speed sensor		

GM NP236

PART#	Description
RTC236G-1 [78605]	'99 S10/S15/Sonoma, electric shift, 27 spline input, rear slip yoke

GM NP241

PART#	Description	PART#	Description
RTC241G-1 [72782]	88-'89 S10 & Suburban, 27 spline input, square Front yoke, rear slip yoke, 2 prong	RTC241G-5 [79545]	89-'91 Blazer & Suburban, 27 spline input, square Front yoke, rear slip yoke, 2 prong
RTC241G-10 [75603]	'94 K-series/Suburban/Yukon, w/4L80E trans, 4" bell Front, rear slip yoke, 3 prong	RTC241G-6 [71183]	89-'91 Blazer & Suburban, 32 spline input, square Front yoke, rear slip yoke, 2 prong
RTC241G-11 [72387]	95-'98 K-series/Suburban/Yukon, w/4L80E trans, fixed Front, rear slip yoke, 3 prong	RTC241G-7 [71934]	88-'92 K-series, w/700R4 trans, LH Front output, 4" bell Front yoke, 2 prong
RTC241G-12 [71642]	95-'02 K-series, 4/4L80E trans, w/joint font yoke, rear slip yoke, 2 prong	RTC241G-8 [73319]	88-'94 K-series, 4w/4L80E trans, Front output, 4" bell Front yoke, 2 prong
RTC241G-13 [79391]	95-'99 K-series/Suburban/Yukon, w/4L60E trans, u/joint Front, rear slip yoke, 3 prong	RTC241G-9 [70425]	93-'94 1500 w/4L60E trans, 4" bell Front yoke, rear slip yoke, 3 prong
RTC241G-2 [79084]	88-'89 Blazer & Suburban, 32 spline input, square Front yoke, rear slip yoke, 2 prong		

GM NP243

PART#	Description	PART#	Description
RTC243G-1 [74400]	96-'99 1500 4/4L60E trans	RTC243G-2 [71217]	96-'99 1500 4/4L80E trans

GM NP246

PART#	Description	PART#	Description
RTC246G-1 [72202]	99-'02 1500 w/4L60E	RTC246G-3 [76210]	03-'07 P/U, w/4L60 & 4L70E trans
RTC246G-2 [76037]	99-'02 1500 w44L80E trans, electric shift	RTC246G-4 [70288]	03-'07 1500 w/4L80E trans, electric shift

GM NP261

PART#	Description	PART#	Description
RTC261GHD-1 [78704]	99-'07 P/U, 32 spline input	RTC261GXHD-1 [78679]	01-'07 Silverado, manual shift, 29 spline input, 31 spline rear slip yoke, 6 speed & Allison
RTC261GLD-1 [70074]	99-'07 P/U, 27 spline input, manual shift		

GM NP263

PART#	Description	PART#	Description
RTC263GHD-2 [72599]	01-'07 P/U, 6.0L, 4L80E trans, 32 spline input	RTC263GHD-2M1 [30537]	03-'07 P/U, 4L80E trans
RTC263GXHD-2 [77215]	01-'07 P/U, 29 spline input, 6 speed or Allison trans		

GM NP273

PART#	Description
RTC273G-1 [79249]	05-'08 Topkick & Kodiak, electric shift, remove mount, bolt on yokes

GM T150

PART#	Description
RTC150G-1 [74720]	04-'09 Colorado & Canyon

Jeep Dana 300

PART#	Description
RTC300J-1 [72562]	80-'86 CJ, internal spline input, fixed yokes

Jeep MP1522

PART#	Description
RTC1522J-1 [30541]	08-'12 Liberty, Selec Trac

Jeep MP3010

PART#	Description
RTC3010J-1 [78124]	12-'13 Grand Cherokee SRT8, AWD, single speed

Jeep MP3022

PART#	Description
RTC3022J-1 [74523]	08-'12 Liberty, Selec-Trac

Jeep MP3023

PART#	Description	PART#	Description
RTC3023J-1 [30552]	11-'13 Grand Cherokee	RTC3023J-2 [30553]	11-'15 Grand Cherokee

Jeep NP140

PART#	Description
RTC140J-1 [71607]	05-'09 Grand Cherokee & Commander, 26 spline input, cup Front yoke, AWD

Jeep NP146

PART#	Description
RTC146J-1 [71071]	06-'10 Grand Cherokee 601L

Jeep NP208

PART#	Description	PART#	Description
RTC208J-1 [70302]	80-'88 Cherokee & Grand Cherokee, 23 spline input, RH mount, fixed yokes	RTC208J-2 [76261]	80-'88 Cherokee & Grand Cherokee, 23 spline input, LH mount, fixed yokes

Jeep NP228

PART#	Description
RTC228J-1 [79219]	85-'86, 23 spline input, w/o viscous coupler, fixed yokes

Jeep NP231

PART#	Description	PART#	Description
RTC231J-1 [73415]	87-'90 Cherokee & Wrangler, 23 spline input, 2 piece tail	RTC231J-2 [79662]	89-'90 Cherokee, 23 spline input, 2 piece tail, w/speedo, 2 wire switch in retainer
RTC231J-10 [72072]	03-'06 Wrangler, 23 spline input, slip yoke rear, w/rubber boot, w/o balancer	RTC231J-3 [74813]	87-'95 Cherokee & Wrangler, 23 spline input, 2 piece tail, 1.75" speedo, 2 pin
RTC231J-11 [70242]	97-'02 Wrangler, 21 spline input, 27 spline output, w/rubber boot	RTC231J-4 [75076]	89-'95 Wrangler & Cherokee, 23 spline input, w/speedo, 2 wire
RTC231J-12 [79073]	00-'02 Wrangler, 23 spline input, 27 spline output, w/rubber boot	RTC231J-7 [76810]	93-'95 Grand Cherokee, 23 spline input, 2 piece tail, w/speedo, 4 pin
RTC231J-13 [73693]	02-'07 Liberty, 23 spline input, cup Front output, 32 spline rear output, 2 pin	RTC231J-8 [30542]	93-'94 Grand Cherokee, 23 spline input, 2 piece tail, w/speedo
RTC231J-14 [77510]	87-'95, 21 spline input, 2 piece tail, 1.75" speedo hole, 2 pin	RTC231J-9 [70986]	97-'02 Wrangler, 23 spline input, 27 spline output, w/rubber boot, w/speedo
RTC231J-18 [74443]	03-'06 Wrangler, 23 spline input, 27 spline rear output, w/rubber boot		

Jeep NP241

PART#	Description	PART#	Description
RTC241J-2 [75732]	07-'11 Wrangler, auto trans, w/o speed sensor, 2.72:1 low ratio	RTC241J-5 [72668]	07-'11 Wrangler, auto trans, 4.1: low ratio, Rock-Trac
RTC241J-3 [79670]	07-'14 Wrangler, manual trans, w/o speed sensor, 2.72:1 low ratio	RTC241J-6 [30543]	07-'14 Wrangler, manual trans
RTC241J-4 [72243]	03-'06 Wrangler, 23 spline input, rear fixed yoke, w/speedo, 4:1 low ratio	RTC241J-7 [30544]	12-'14 Wrangler, 2nd generation case, auto trans, w/o speed sensor, 2.72:1 low ratio
		RTC241J-8 [30545]	12-'14 Wrangler, auto trans

Jeep NP242

PART#	Description	PART#	Description
RTC241J-9 [30546]	05-'07 Liberty	RTC242J-4 [30549]	93-'95 Grand Cherokee, 23 spline input, 27 spline slip yoke main, w/speedo
RTC242J-1 [72533]	87-'90 Cherokee, 21 spline input, 27 spline slip yoke main, 2 piece tail, 4 pin, w/speedo	RTC242J-5 [79627]	97-'01 Cherokee & Grand Cherokee, 23 spline input, 1 piece tail, w/boot
RTC242J-10 [70314]	02-'07 Liberty, 23 spline input, 32 spline slip yoke main, 2 pin, w/boot, w/o speedo	RTC242J-6 [73313]	1996 Cherokee, 23 spline input, 27 spline slip yoke main, 1 piece tail, w/boot, w/speedo
RTC242J-11 [30547]	00-'01 Grand Cherokee 4.7L, 23 spline input, 32 spline slip yoke main, w/o speedo	RTC242J-7 [75298]	99-'01 Grand Cherokee, 23 spline input, 27 spline slip yoke main, 1 piece tail, 4 pin
RTC242J-2 [76366]	91-'95 Cherokee, 23 spline input, 27 spline slip yoke main, 2 piece tail, w/speedo	RTC242J-8 [79081]	02-'03 Grand Cherokee, 23 spline input, 32 spline slip yoke main, 2 piece tail, w/o speedo
RTC242J-3 [30548]	1993 Cherokee, 23 spline input, 27 spline slip yoke main, 2 piece tail	RTC242J-9 [76236]	02-'04 Grand Cherokee, 23 spline input, 27 spline slip yoke main, 1 piece tail, 2 pin

Jeep NP245

PART#	Description	PART#	Description
RTC245J-1 [79615]	05-'10 Grand Cherokee 4.7L & 5.7L, 23 spline input, cup Front yoke, 32 spline slip yoke rear	RTC245J-3 [73061]	07-'09 Grand Cherokee 3.0L, electric shift, cupped Front yoke, flanged rear yoke
RTC245J-2 [30550]	06-'08 Grand Cherokee 3.7L, cupped Front yoke, rear flange		

Jeep NP247

PART#	Description	PART#	Description
RTC247J-1 [75466]99-'00 Grand Cherokee, 23 spline input, 27 spline rear slip yoke, w/viscous coupler		RTC247J-3 [73356]01-'04 Grand Cherokee 4.7L, 23 spline input, 27 spline rear slip yoke, u/joint Front yoke	
RTC247J-2 [76873]99-'04 Grand Cherokee, 23 spline input, 27 spline rear slip yoke, w/viscous coupler			

Jeep NP249

PART#	Description	PART#	Description
RTC249J-1 [30551] 93-'95 Grand Cherokee 6 cylinder, 23 spline input, 27 spline slip yoke main		RTC249J-3 [76057] 96-'98 Grand Cherokee, 23 spline input, 27 spline rear slip yoke, w/speedo, 2 piece tail	
RTC249J-2 [72229] 93-'95 Grand Cherokee 6 cylinder, 23 spline input, 27 spline slip yoke main, 4 pin			

Land Rover Misc.

PART#	Description	PART#	Description
RTCIAB000033 [30554] 03-'05 Range Rover		RTCLR023011 [73802] 05-'11 Land Rover	

Mercedes Misc.

PART#	Description	PART#	Description
RTC55664 [30555] 03-'06 C & E class		RTCA2512801400 [75876] 07-'11 ML63	
RTCA2032800700 [73333] 03-'07 C240 & C320		RTCA2512802100 [76295] 06-'12 GL & ML	
RTCA2112800900 [78191] 08-'09 E300 & E350		RTCA4632801700 [71345] 02-'15 G Class	
RTCA2202800700 [71432] 03-'06 E500			

Nissan Misc.

PART#	Description	PART#	Description
RTCMUR-1 [73263] 09-'13 Murano, w/ scalloped/square flange		RTCMUR-3 [76039] 03-'04 Murano, round yoke	
RTCMUR-2 [75529] 05-'07 Murano, round flange yoke			

Suzuki Misc.

PART#	Description	PART#	Description
RTC55599B [30556] 01-'05 Grand Vitara		RTC59264 [77930] 06-'08 Grand Vitara	

Volkswagen Misc.

PART#	Description	PART#	Description
RTC0AD341011L [77853] 04-'10 Touareg		RTC0AD341011N [30558] 04-'10 Touareg	
RTC0AD341011M [30557] 04-'10 Touareg		RTC0AY525010D [30559] 09-'12 Tiguan	

Set Up Specifications



DIFFERENTIAL MODEL	OEM SHIM DEPTH*	PINION BEARING PRELOAD		5 Cut B/L (0.000")	2 Cut B/L (0.000")	R.G. BOLT	TORQUE (FOOT LBS)	CAP
		NEW (INCH LBS)	USED					
GENERAL MOTORS®								
Olds/Pont D/O		14-19	6-7	6-10		55		70
'63-'79 Corvette	0.03	14-19	6-8	6-10		55		60
D36 Corvette	0.045	12-15	6-8	6-10		55		55
D44 Corvette	0.03	14-19	6-9	6-10		55		55
55P & 55T	0.026	14-18	6-8	6-10		55		60
7.2"	0.03	11-14	6-7	6-10		55		60
7.5" & 7.6"	0.035	12-15	6-7	6-10	3-6	65		60
7.6" IRS (195mm)		12-15	6-7		3-6	65		60
7.75"	0.025	12-15	6-7	6-10		65		60
8.2"	0.03	12-15	6-7	6-10		55		60
8.0"		12-15	6-7		3-6	65		60
8.2" Olds/Pont	0.03	12-15	6-7	6-10		55		60
8.25" IFS	0.037	14-19	6-8	6-10		65		55
8.5" & 8.6"	0.037	14-19	6-8	6-10	3-6	65		60
8.6" IRS (218mm)		14-19	6-8		3-6	65		60
9.25" IFS	0.032	15-22	7-9		5-7	103		63
9.5"	0.03	15-22	7-9	6-10		75		80
10.5" AAM (W/Out Pin Support)	0.055	15-25	8-11	6-10	5-7	175		120
11.5" AAM	0.055	20-30	8-11	6-10	5-7	175		200
12 Bolt Pass	0.03	14-19	6-8	6-10		55		60
12 Bolt Truck	0.03	13-15	6-7	6-10		55		60
14T 10.5" (With Pin Support)	0.017	20-35	8-11	6-10		120		135
Chrysler®								
7-1/4"	0.025	12-14	6-7	6-10		55		50
C200	0.212	12-15	6-8		5-9	90		60
8" (C205)	0.034	12-15	6-9	6-10	4-8	65		75
8.25" (C213)	0.03	12-15	6-8	6-10	4-8	55		60
8.75" '41	0.09	13-15	6-8	6-10		55		90
8.75" '42	0.09	15-25	7-10	6-10		55		90
8.75" '89	0.03	14-19	6-9	6-10		55		90
9.25" Rear	0.032	14-19	6-9	6-10	5-9	65		75
9.25" ZF (C235)	0.065	17-22	7-10		5-9	165		100
9.25" AAM Front	0.035	15-25	10-20		5-7	103		63
10.5" AAM	0.055	15-25	8-11	6-10	5-7	175		120
11.5" AAM	0.055	20-30	8-11	6-10	5-7	175		200
AMC®								
Model 20	0.095	14-19	6-8	6-10		65		65
Model 35	0.045	12-14	6-7	6-10		55		55
SPICER®								
D28	0.05	10-13	5-6	11-16		55		50
D30	0.065	12-15	6-8	10-15		(1) or (2a)**		60
D30 JK	0.065	12-15	6-8	6-10		(1) or (2a)**		60
D44	0.042	14-19	6-10	10-16		(1) or (2a)**		60
D44 (WK & XK)	0.042	15-20	8-12	6-10	6-8	125		80
D44 JK Front	0.042	20-30	12-15	6-10		(2a) or (3)**		80
D44 JK Rear	0.042	20-30	12-15	6-10		(2b) or (3)**		80
D44HD	0.042	15-20	8-12	6-10	6-8	125		80
D50	0.055	14-19	6-9	6-10		(2a) or (3)**		60
D60, 61 & 70U	0.052	17-30	8-10	6-10		110		80
D70	0.061	22-35	12-15	6-10		110		80
D80	0.06	25-40	9-11	4-10		175		90
S110, S111, S130, S132		20-40	8-12	9-16		150		140
S135		10-40	8-12	9-12		120		125
Ford®								
7.5"	0.025	14-19	6-8	11-16		60		60
8.0" Dropout	0.02	12-14	6-7	10-15		60		60
8.8"	0.026	14-19	6-8	6-10	11-16	60		60
9.0" OEM R&P	0.022	13-15	6-7	10-16		60		60
9.0" NON OEM	0.022	13-15	6-7	6-10		60		60
9.0" Daytona	0.022	14-16	6-8	6-10		60		60
9.75"	0.027	15-19	6-8	6-10	8-12	75		70
10.25" & 10.5"	0.025	20-35	6-8	6-10	8-12	95		80
Toyota®								
7.5" F. or R.	0.095	12-15	5-6	6-10		70		70
8" F. or R.	0.074	12-15	5-6	6-10		70		70
8" Clamshell Front	0.07	9-14	5-6	4-8		70		70
9" Reverse	0.08	20-30	8-12	6-10		100		100
9.5" Landcruiser	0.02	8-11	5-6	6-8		78-89		80
9.5" Tundra	0.048	9-15	7-12	4-8		100		75
	0.048	16-28	15-19	4-8		145		150
Truck V6 R.	0.067	14-17	5-6	6-10		70		70
T100 & Tacoma	0.085	14-17	5-6	6-10		70		70
NISSAN®								
M205	0.06	15-20	8-12	6-10	5-8	100		40
M226	0.042	15-25	8-12	6-10		100		
SUZUKI®								
Samurai	0.055	12-15	5-6	6-10		70		70

(Samurai 5.38 R&P requires special depth setting)

Note: Set up specifications are recommended only. Please call with questions.*Suggested starting points

or **: Multiple options, Torque by bolt size

(1) 3/8" bolts 55 Ft. Lbs. (2a) 7/16" bolts 75 Ft. Lbs.
 (2b) 7/16" bolts 80 Ft. Lbs. (3) 1/2" bolts 135 Ft. Lbs.

(*) Depth based on OE Range

Deck Height/Carrier Break Measurements

DIFFERENTIAL MODEL	DECK HEIGHT	CARRIER BREAK
GENERAL MOTORS®		
Olds/Pont D/O	N/A	3.23 / 3.55
63-'79 Corvette	1.800 / 2.070	3.90 / 4.10
D36 Corvette	3.07" = 1.875	2.73 / 3.07
D44 Corvette	2.125 / 2.437	3.73 / 3.92
55P & 55T	2.312 / 2.500	3.73 / 4.10
7.2" IFS	1.550 / 2.000	3.08 / 3.23
7.5" & 7.6"	1.562 / 1.875	3.08 / 3.23
7.6" IRS (195mm)	N/A	2.92 / 3.27
7.75"	2.250 / 2.500	2.77 / 3.27
8.2"	1.625 / 1.937	2.76 / 3.07
8.0"	1.960	No Carrier Break
8.2" Olds/Pont	1.320 / 1.625 / 1.937	2.78 / 2.93 - 3.23 / 3.31
8.25" IFS	1.780 / 1.920	3.08 / 3.42
8.5" Olds/Pont	1.320 / 1.812 / 2.000	2.78 / 3.08 - 3.23 / 3.42
8.5" & 8.6"	1.625 / 1.750	2.56 / 2.73
8.6 IRS (218mm)	1.860	No Carrier Break
9.9 IRS (250mm)	2.400	No Carrier Break
9.25" IFS	2.440	No Carrier Break
9.5" (14 Bolt)	2.450	No Carrier Break
9.5 / 9.76" (12 Bolt)	2.450 / 2.610	3.23 / 3.42
10.5" AAM (W/Out Pin Support)	2.425	No Carrier Break
11.5" AAM	2.940	No Carrier Break
12 Bolt Pass	1.360 / 1.875 / 2.187	2.76 / 3.07 - 3.90 / 4.10
12 Bolt Truck	1.437 / 1.687 / 2.000	2.73 / 2.76 - 3.42 / 3.73
14T 10.5" (With Pin Support)	4.125 / 4.594	4.10 / 4.56
H072(10" R/G)	4.300	No Carrier Break
Chrysler®		
7.25"	1.780" = 2.76	2.45 / 2.76***
C200	N/A	No Carrier Break
8" (C205)	1.890	No Carrier Break
8.25" (C213)	1.880" = 2.56	2.45 / 2.56
8.75"41	2.050	No Carrier Break
8.75"42	2.050	No Carrier Break
8.75"89	2.050	No Carrier Break
9.25" REAR	2.312	No Carrier Break
9.25" ZF (C235)	2.312	No Carrier Break
9.25" AAM Front	2.450 / 2.550	2003-2006 / 2007+
10.5" AAM	2.425	No Carrier Break
11.5" AAM	2.940	No Carrier Break
AMC®		
Model 20	1.600 / 1.795	2.73 / 3.07
Model 35	1.4375 / 1.625	3.31 / 3.55
SPICER®		
D28	N/A	3.45 / 3.73
D30	1.812 / 1.937	3.54 / 3.73
D30 JK	1.812 / 1.937	3.54 / 3.73
D44	2.125 / 2.437	3.73 / 3.92
D44 JK	2.125	3.73
D50	2.012	No Carrier Break
D60	2.125 / 2.437	4.10 / 4.56
D61	2.750	D61 3.00 - 3.31 / D61 3.54 - 4.10 Thick
D70 1/2"	2.250 / 2.437	4.10 / 4.56 - 6.17
D70 5/8" Offset	2.250 / 2.437	3.54 - 4.10 / 4.56 - 7.17
D70 31/32" Offset	(D70 4.56) 2.437 / 2.562 (D70 31/32)	3.07 - 3.42 / 3.54-4.10
D80	2.0625 / 2.250	3.73 / 4.10
S110	Ring Gear Incorporated w/ Carrier Case Half	4.10 / 4.30 - 4.88/ 5.13*
S111	Ring Gear Incorporated w/ Carrier Case Half	4.10 / 4.44 - 4.88*
S130	Ring Gear Incorporated w/ Carrier Case Half	4.10 / 4.30 - 4.88/ 5.13*
S132	Ring Gear Incorporated w/ Carrier Case Half	4.10 / 4.30 - 4.88/ 5.13*
S135	N/A	3.38 - 3.73 / 3.91 - 4.44 / 4.78 - 5.18 / 6.4 - 7.7
Ford®		
7.5"	2.000	No Carrier Break
8.0" Dropout	1.477	No Carrier Break
8.0" IRS	1.825	No Carrier Break
8.8"	1.905	No Carrier Break
9.0" OEM R&P	2.335	No Carrier Break
9.0" NON OEM	2.335	No Carrier Break
9.0" Daytona	2.335	No Carrier Break
9.75"	2.055	No Carrier Break
10.25" & 10.5"	2.450	No Carrier Break
Toyota®		
7.5" F or R.	1.650	No Carrier Break
8" F or R.	2.000	No Carrier Break
8" Clamshell Front	1.950" = 3.91	3.73 / 3.91
9.5" Landcruiser	1.181	No Carrier Break
9.5" Tundra	1.840	No Carrier Break
10.5" Tundra	2.320	No Carrier Break
TV6	2.000	No Carrier Break**
T100 Tacoma & T100	1.775	No Carrier Break
SUZUKI®		
Samurai	1.440	No Carrier Break

* ABS Tone Ring Carrier Breaks

** Factory 4.88 ratios were thin gears and used a different housing

*** 2.45 gear ratio uses a special case that will not accept any other gear ratios

ALL PRODUCT NAMES ARE TRADEMARKS OF THEIR RESPECTIVE OWNERS.

DIMENSIONS ARE +/- .30"



RANDYS
WORLDWIDE

Yukongear.com
USAStandardGear.com
ZumbrotaDrivetrain.com
DiffWizard.com

10411 Airport Road | Everett, WA 98204

© 2019 vRANDYS Worldwide

Yukon Gear & Axle®, Diff Wizard®, Zumbrota Drivetrain® and USA Standard Gear®. All other product names are trademarks of their respective holders. Parts listed in this catalog are not necessarily manufactured by the original equipment manufacturer and any reference to the trademarks or part number of others are for cross reference information purposes only.